

Manuals+

[Q & A](#) | [Deep Search](#) | [Upload](#)

manuals.plus /

› [RCA](#) /

› [RCA Viking Pro 10" 2-in-1 Tablet User Manual](#)

RCA Viking Pro

RCA Viking Pro 10" 2-in-1 Tablet User Manual

Model: Viking Pro | Brand: RCA

INTRODUCTION

The RCA Viking Pro 10" 2-in-1 Tablet is a versatile device designed for both productivity and entertainment. It features a touchscreen display and a detachable keyboard, offering flexibility for various tasks. With built-in Wi-Fi and Bluetooth v4.0, it provides essential connectivity for your daily needs. This manual provides detailed instructions for setting up, operating, and maintaining your device.

WHAT'S IN THE BOX

- RCA Viking Pro 10" Tablet
- Detachable Keyboard
- Power Adapter
- User Manual (this document)

PRODUCT OVERVIEW

The RCA Viking Pro is constructed from hard plastic, providing a durable yet lightweight design. The tablet and keyboard are both approximately 9.6mm thick, making the device portable and easy to carry in a backpack.



Figure 1: RCA Viking Pro Tablet with Detachable Keyboard.

Components and Ports

Familiarize yourself with the various ports and buttons on your tablet for optimal use.

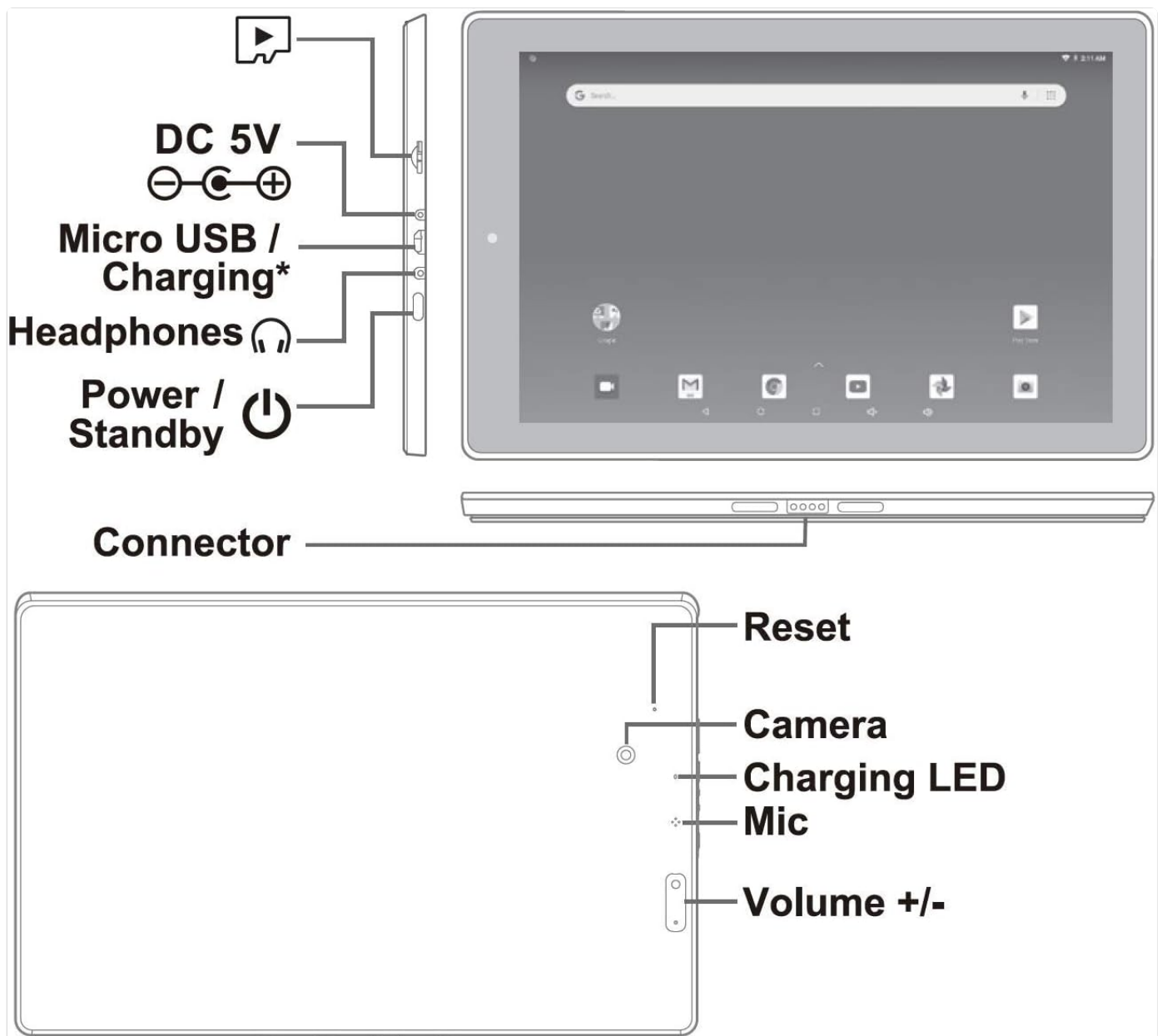


Figure 2: Detailed view of tablet ports and controls.

- **USB Port:** For connecting external USB devices.
- **Micro USB Port:** Used for charging and data transfer.
- **DC 5V Port:** Alternative charging port.
- **HDMI Port:** For connecting to external displays.
- **3.5mm Headphone Jack:** For audio output to headphones or external speakers.
- **Power Button:** To turn the device on/off or put it into standby.
- **Volume +/- Buttons:** To adjust the audio volume.
- **Reset Button:** A small pinhole button for system reset if needed.
- **MicroSD Card Slot:** Supports additional memory up to 128GB.
- **Front Camera:** 1 Megapixel camera for video calls and selfies.
- **Rear Camera:** 2 Megapixel camera for general photography, useful for capturing notes or documents.
- **Microphone:** For audio input during calls or recordings.
- **Speaker:** Located at the bottom left of the tablet.

Initial Charging

Before first use, fully charge your RCA Viking Pro tablet. Connect the provided power adapter to either the Micro USB port or the DC 5V port on the tablet and plug it into a power outlet. A full charge typically takes approximately 3 hours.

Attaching and Detaching the Keyboard

The detachable keyboard connects to the tablet via strong magnets. To attach, align the tablet with the keyboard's connector and allow the magnets to snap it into place. To detach, gently pull the tablet away from the keyboard.



Figure 3: Tablet attached to the detachable keyboard.

Powering On/Off

- **To Power On:** Press and hold the Power button until the screen lights up.
- **To Power Off:** Press and hold the Power button, then select "Power off" from the options.
- **To Sleep/Wake:** Briefly press the Power button.

Initial Android Setup

Upon first power-on, the tablet will guide you through the initial setup process for Android 5.0 Lollipop. This includes selecting your language, connecting to a Wi-Fi network, and signing in with your Google account.

OPERATING INSTRUCTIONS

Display

The tablet features a 10.1-inch IPS LCD touchscreen display with a resolution of 1280x800 pixels, providing a pixel density of 149 PPI. This resolution is suitable for general use, including web browsing and video playback in HD (720p).

Keyboard and Trackpad

The detachable keyboard offers a compact and responsive typing experience, often preferred over the on-screen keyboard for extended writing tasks. It includes 17 shortcut keys for quick access to functions like brightness adjustment, media controls, and screen on/off.

The integrated trackpad functions well for navigation. It features a left-click area (or tap to click) and a right-click area that acts as a

back button. A two-finger swipe gesture is available for scrolling, though it can be sensitive at times. For users who prefer an external pointing device, the tablet supports both wired and wireless USB mice.

Connectivity

- **Wi-Fi:** Connect to available Wi-Fi networks for internet access.
- **Bluetooth v4.0:** Pair with Bluetooth-enabled devices such as wireless speakers or headphones for enhanced audio experience.

Storage

The tablet comes with 32GB of onboard storage. Approximately 24.19GB is available for user content and applications out of the box. Storage can be expanded further using a microSD card, supporting capacities up to 128GB.

Performance

Powered by a 1.3GHz MediaTek MT8127 Quad Core Processor and 1GB of RAM, the RCA Viking Pro handles basic tasks like email, web browsing, and simple games smoothly. However, performance may be affected when running multiple applications simultaneously or engaging in graphic-intensive activities. Some graphic-heavy games may experience occasional lag or downscaled visuals.

Camera Usage

The tablet is equipped with a 1MP front-facing camera and a 2MP rear-facing camera. While not designed for high-quality photography, the rear camera can be useful for practical purposes such as capturing notes or documents.

Flexible Modes

The detachable keyboard allows for multiple usage modes:

- **Laptop Mode:** Tablet attached to the keyboard for traditional laptop use.
- **Display Mode:** Tablet detached and flipped to face outwards while still connected to the keyboard, ideal for watching videos.
- **Tent Mode:** Similar to display mode but with the keyboard folded back to form a stand, offering stability for viewing.
- **Tablet Mode:** Tablet completely detached from the keyboard for standalone use.



Figure 4: Tablet in Tent Mode for media consumption.

BATTERY MANAGEMENT

The RCA Viking Pro offers robust battery life, providing approximately 5 hours of on-screen usage and excellent standby time. It can retain a high charge percentage (e.g., 95-96%) even after an overnight standby period.

When the battery level drops to 20%, a notification will appear, offering the option to activate Battery Saver mode. This mode helps extend battery life by reducing performance and limiting background data syncing.

TROUBLESHOOTING

- **Device Freezing or Lagging:** If the tablet experiences freezing or lag, try closing any open applications. Performance may be affected by multiple active apps or background downloads.
- **Video Playback Issues:** When detaching the tablet from the keyboard, streaming videos or websites may reload or pause. It is recommended to switch modes before starting video playback.
- **Keyboard Input Issues:** Occasionally, when typing and attempting to delete text, the keyboard may delete more than intended. This is a known behavior and requires careful input.

SPECIFICATIONS

Feature	Specification
Screen Display Size	10.1 Inches
Screen Resolution	1280 x 800
Processor	1.3 GHz MediaTek MT8127 Quad Core

Feature	Specification
RAM	1 GB DDR SDRAM
Hard Drive	32 GB Flash Memory Solid State
Operating System	Android 5.0 Lollipop
Wireless Type	802.11ac (Wi-Fi), Bluetooth v4.0
Average Battery Life	Up to 8 Hours (rated), approx. 5 hours on-screen use
Item Weight	1.15 pounds
Product Dimensions	10.2 x 6.5 x 0.39 inches
Cameras	Front: 1 MP, Rear: 2 MP

WARRANTY AND SUPPORT

For detailed warranty information and customer support, please refer to the warranty card included with your product or visit the official RCA website. Support resources typically include FAQs, troubleshooting guides, and contact information for technical assistance.