



[Manuals.plus](#) /

› [Kenmore](#) /

› Kenmore 350 Water Softener User Manual

## Kenmore 350

# Kenmore 350 Water Softener User Manual

Model: 350

## INTRODUCTION

---

This manual provides comprehensive instructions for the installation, operation, and maintenance of your Kenmore 350 Water Softener. Designed to reduce hard water minerals and clear water iron, this system enhances water quality throughout your home, leading to softer skin and hair, cleaner laundry and dishes, and improved appliance performance. The Kenmore 350 features intuitive IntelliSoft® Technology, which optimizes salt, water, and energy usage based on your household's water needs. It is NSF International certified for effective reduction of hard water minerals.

## SAFETY INFORMATION

---

Always read and understand all safety warnings and instructions before installing or operating the water softener. Failure to do so may result in property damage, injury, or death.

- Ensure all plumbing connections are secure to prevent leaks.
- Do not operate the unit if any electrical components are wet.
- Disconnect power before performing any maintenance or service.
- Keep children and pets away from the unit during operation and maintenance.
- Use only water softener salt specifically designed for water softeners.

## PACKAGE CONTENTS

---

Verify that all components are present before beginning installation:

- Kenmore Water Softener Unit
- Bypass Valve
- Installation Kit (includes necessary fittings and hardware)



Figure 1: Kenmore 350 Water Softener Unit

This image shows the main Kenmore 350 Water Softener unit from the front, highlighting its compact design and the control panel located on the top surface.

## SETUP AND INSTALLATION

---

The Kenmore 350 Water Softener is designed for easy installation. For optimal performance, ensure proper placement and plumbing connections.

### 1. Site Selection

Choose a location that is level, protected from freezing temperatures, and close to a drain and power outlet. The compact design allows for installation in tight spaces.

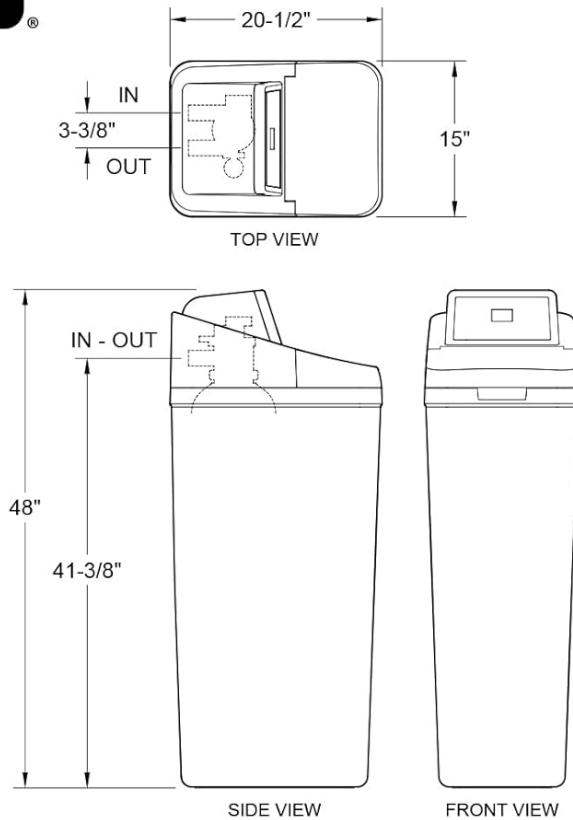


Figure 2: Product Dimensions

This diagram provides detailed measurements for the Kenmore 350 Water Softener, including top, side, and front views, which are crucial for planning installation space. Dimensions are approximately 20.5"L x 15"W x 48"H.

## 2. Plumbing Connections

Connect the water softener to your home's main water line using the provided bypass valve. Ensure all connections are watertight.

# Kenmore®



Figure 3: Bypass Valve Assembly

This image illustrates the bypass valve assembly located at the top rear of the water softener, showing the inlet and outlet connections and the bypass handle.

### 3. Drain Line Connection

Connect the drain line to an appropriate drain, ensuring there is an air gap to prevent back-siphonage.

### 4. Electrical Connection

Plug the power cord into a grounded electrical outlet. The unit requires a standard 120V AC outlet.

## OPERATING INSTRUCTIONS

---

Your Kenmore 350 Water Softener is equipped with an advanced display board for easy monitoring and programming.



Figure 4: Advanced Display Board

This image provides a detailed view of the control panel, showing the digital display and various buttons for setting salt levels, initiating regeneration, and monitoring water flow.

### Initial Startup and Programming

1. Add water softener salt to the brine tank.

2. Follow the on-screen prompts to set the time, water hardness, and desired regeneration cycle.
3. The IntelliSoft Technology will learn your water usage patterns to optimize regeneration cycles, saving salt, water, and energy.

### Key Features:

- **IntelliSoft Technology:** Automatically adjusts to your water needs, ensuring you never run out of soft water while optimizing resource consumption.
- **Advanced Display Board:** Provides easy monitoring of salt levels and current water flow.
- **Ultra Cleansing Feature:** A built-in screen prevents larger sediment particles from entering your home's plumbing system, protecting water-using appliances.
- **High Flow Valve:** Ensures consistent water pressure throughout your home.

# Kenmore®



## Kenmore® 350 Features:

- Easy Setup & Maintenance
- High-Flow Valve
- Low Salt Light
- Water Flow Indicator



Figure 5: Kenmore 350 Features Overview

This graphic summarizes the main features of the Kenmore 350, including its ease of setup and maintenance, high-flow valve, low salt light indicator, and water flow indicator.

# Kenmore®



## **Less Salt = More Family Time**

*IntelliSoft*® Technology learns your family's habits and only uses what you need, when you need it.

Figure 6: IntelliSoft Technology Explained

This graphic explains how IntelliSoft Technology works, emphasizing its ability to learn household water usage patterns to conserve salt, water, and energy, thereby providing more time for family activities.

## **MAINTENANCE**

---

Regular maintenance ensures the longevity and efficient operation of your Kenmore 350 Water Softener.

### **Salt Level Monitoring**

Check the salt level in the brine tank regularly. The advanced display board will indicate when salt is low. Refill with appropriate water softener salt as needed.

### **Cleaning the Brine Tank**

Periodically clean the brine tank to prevent salt bridging and ensure proper regeneration. Refer to the full installation manual for detailed cleaning procedures.

## Filter Screen Inspection

Inspect the built-in filter screen for sediment buildup and clean if necessary to maintain optimal water flow and protect your plumbing.

## TROUBLESHOOTING

---

This section addresses common issues you might encounter with your Kenmore 350 Water Softener. For more complex problems, consult a qualified technician.

Problem	Possible Cause	Solution
Water is not soft	Low salt level; Salt bridge in brine tank; Incorrect hardness setting; Bypass valve in bypass position.	Add salt; Break up salt bridge; Adjust hardness setting on control panel; Ensure bypass valve is in service position.
Excessive salt usage	Hardness setting too high; Frequent regeneration cycles.	Verify and adjust hardness setting; Allow IntelliSoft Technology to optimize.
Loss of water pressure	Sediment buildup in filter screen; Clogged drain line.	Clean filter screen; Clear drain line obstruction.

## SPECIFICATIONS

---

Technical specifications for the Kenmore 350 Water Softener:

- **Model Name:** 350
- **Grain Capacity:** 32,000 grains
- **Product Dimensions (L x W x H):** 20.5" x 15" x 48"
- **Item Weight:** 80 Pounds
- **Installation Type:** Freestanding
- **Power Source:** Manual/Gravity-fed
- **Maximum Flow Rate:** 7.2 Gallons Per Minute
- **Lower Temperature Rating:** 40 Degrees Fahrenheit
- **Special Feature:** Programmable
- **Country of Origin:** USA

# Kenmore®



## Kenmore® 350 Water Softener

### Family Size

1 to 4+

### Grain Capacity

32,000



Figure 7: Capacity and Family Size

This graphic indicates the Kenmore 350's 32,000 grain capacity and its suitability for households of 1 to 4+ people.

## WARRANTY AND SUPPORT

For warranty information and customer support, please refer to the official Kenmore website or contact Kenmore customer service directly. Keep your purchase receipt for warranty claims.

Additional resources:

- [Installation Manual \(PDF\)](#)
- [User Guide \(PDF\)](#)
- [Visit the Kenmore Store on Amazon](#)

