

August MB300

August MB300 Mini Wooden MP3 Stereo System and FM Clock Radio User Manual

Model: MB300 | Brand: August

INTRODUCTION

The August MB300 is a versatile mini wooden MP3 stereo system and FM clock radio designed for high-fidelity audio playback and convenient alarm functions. It features multiple audio input options, including a USB port, SD card reader, and 3.5mm AUX jack, allowing you to enjoy music from various sources. The integrated FM radio and alarm clock with customizable wake-up modes make it an ideal bedside companion. Its compact design and built-in rechargeable battery offer portability for use in different environments.



Figure 1: The August MB300 Mini Wooden MP3 Stereo System and FM Clock Radio.

PACKAGE CONTENTS

Please check the box for the following items:

- August MB300 Mini Wooden MP3 Stereo System and FM Clock Radio
- Remote Control
- USB Charging Cable
- Mains Charging Cable (Power Adapter)
- 3.5mm Audio Cable (AUX Cable)
- 2 x AAA Batteries (for clock backup)
- User Manual (this document)



Figure 2: All items included in the August MB300 package.

PRODUCT OVERVIEW

Familiarize yourself with the various parts and controls of your August MB300 unit.

Front Panel and Controls



Figure 3: Front view with LCD display and control buttons (MODE, SET, ALARM, RADIO, Play/Pause, Volume Up/Down, LT).

- **LCD Display:** Shows time, date, temperature, FM frequency, and playback information.
- **MODE Button:** Switches between different operating modes (Clock, FM Radio, MP3 Player).
- **SET Button:** Used for setting time, alarm, and other parameters.
- **ALARM Button:** Activates/deactivates and sets alarm functions.
- **RADIO Button:** Directly switches to FM radio mode.
- **Play/Pause (▶▶) Button:** Plays or pauses audio playback.
- **Volume Up/Down (▲/▼ VL+/-) Buttons:** Adjusts the volume level. Also used for navigation in settings.
- **LT Button:** Activates the backlight for the LCD display.

Side and Top Panels

Function Snooze

Enjoy an extra **5** minutes in bed



Figure 4: Side view with USB port and 3.5mm AUX input.



Figure 5: Top view with SD card slot and telescopic antenna.

- **USB Port:** For playing MP3 files from USB flash drives.
- **AUX (3.5mm Audio In) Jack:** Connect external audio devices like smartphones or laptops.
- **SD Card Reader:** Located on the top panel, for playing MP3 files from SD/MMC memory cards.
- **Telescopic Antenna:** Extendable antenna for FM radio reception.

SETUP

Powering the Device

The MB300 can be powered via its built-in rechargeable battery or directly from the mains power supply.

1. **Initial Charge:** Before first use, fully charge the internal battery using the supplied USB charging cable connected to a USB power source (e.g., computer USB port, USB wall adapter). A full charge provides approximately 5 hours of playback.
2. **Mains Power:** For continuous operation, connect the supplied mains charging cable to the DC 5V input on the unit and plug it into a wall outlet.

Installing Backup Batteries

The unit uses 2x AAA batteries (supplied) for clock backup, ensuring time and alarm settings are retained during power outages or when the internal rechargeable battery is depleted.

1. Locate the battery compartment on the bottom of the unit.
2. Open the compartment cover.
3. Insert 2x AAA batteries, observing the correct polarity (+/-).
4. Close the compartment cover securely.

Setting Time and Date

To set the current time and date:

1. Press the **MODE** button until the clock display is shown.
2. Press and hold the **SET** button until the time digits begin to flash.
3. Use the **Volume Up/Down (▲/▼)** buttons to adjust the hour. Press **SET** to confirm.
4. Repeat for minutes, year, month, and day.
5. Press **SET** again to exit the setting mode.
6. You can also switch between 12-hour and 24-hour format, and Celsius or Fahrenheit for temperature display, within the settings.

OPERATING INSTRUCTIONS

FM Radio Operation

To listen to FM radio stations:

1. Extend the telescopic antenna fully for optimal reception.
2. Press the **RADIO** button to switch to FM radio mode. The FM frequency will be displayed.
3. **Auto Scan:** Press and hold the **Play/Pause (▶▶)** button to automatically scan and save available FM stations.
4. **Manual Tuning:** Briefly press the **Volume Up/Down (▲/▼)** buttons to manually tune to the next/previous frequency.
5. **Preset Navigation:** After auto-scanning, briefly press the **Play/Pause (▶▶)** button to cycle through saved preset stations.



Speakers

Insert a USB or MP3 Player to enjoy your Music

Figure 6: Enjoying FM radio or music with the August MB300.

MP3 Playback (USB / SD Card)

The MB300 supports MP3 playback from USB flash drives and SD/MMC memory cards.

1. Insert a USB flash drive into the USB port on the side of the unit, or an SD/MMC card into the SD card slot on the top.
2. The unit will automatically switch to MP3 mode and begin playing. If not, press the **MODE** button until MP3 mode is selected.
3. Use the **Play/Pause** (▶▶) button to play or pause.
4. Use the **Volume Up/Down** (▲/▼) buttons to skip to the next or previous track.
5. Note: The unit displays track numbers (e.g., "1", "2", "3") rather than song titles.



Function Snooze

Enjoy an extra **5** minutes in bed

Figure 7: USB port for MP3 playback.

AUX Input

Connect external audio sources using the supplied 3.5mm audio cable.

1. Connect one end of the 3.5mm audio cable to the AUX jack on the side of the MB300.
2. Connect the other end to the headphone jack or audio output of your external device (e.g., smartphone, tablet, MP3 player).
3. The unit will automatically switch to AUX mode. If not, press the **MODE** button until AUX mode is selected.
4. Control playback and volume from your external device.

Alarm Clock Function

Set up to two alarms with various wake-up options.

1. Press the **ALARM** button to cycle through Alarm 1, Alarm 2, and Alarm Off.
2. When Alarm 1 or Alarm 2 is selected, press and hold the **ALARM** button until the alarm time flashes.
3. Use the **Volume Up/Down** (**▲/▼**) buttons to set the alarm hour and minutes, pressing **ALARM** to confirm each step.
4. Select the wake-up source: Buzzer, FM Radio, or MP3. If MP3 is selected, the unit will play the first track

on your USB/SD card.

5. Press **ALARM** again to save and activate the alarm.
6. **Snooze Function:** When the alarm sounds, press the **SNOOZE** button (on top of the unit) to temporarily silence it for 5 minutes.
7. **Stopping Alarm:** Press any other button to turn off the alarm for the day.



Figure 8: Utilizing the snooze function for an extra 5 minutes of rest.

Sleep Timer

The sleep timer allows the radio to play for a set duration before automatically turning off.

1. While the radio is playing, press the **SLEEP** button (on top of the unit) repeatedly to cycle through available sleep timer durations (e.g., 10 min, 20 min, up to 120 min).
2. The display will show the selected duration. The radio will turn off automatically after this time.



Figure 9: The sleep timer function allows you to fall asleep to your favorite radio station.

Remote Control

The supplied remote control provides convenient access to most functions from a distance.

- **Power On/Off:** Turns the unit on or off.
- **Mode Selection:** Switches between modes.
- **Volume Control:** Adjusts playback volume.
- **Track/Station Navigation:** Skips tracks or tunes radio stations.
- **Alarm/Snooze:** Controls alarm settings and snooze.
- **Note:** If the internal rechargeable battery is low, the remote control function may not work. Ensure the unit is charged.

MAINTENANCE

Cleaning

To maintain the appearance and functionality of your MB300:

- Wipe the unit with a soft, dry cloth.
- Do not use abrasive cleaners, waxes, or solvents as they may damage the finish.
- Avoid exposing the unit to excessive moisture.

Battery Care

- The internal rechargeable battery should be charged regularly to maintain its lifespan.
- Replace the AAA backup batteries when the clock display becomes dim or settings are not retained.
- Dispose of old batteries responsibly according to local regulations.

TROUBLESHOOTING

Problem	Possible Cause / Solution
Unit does not power on.	<ul style="list-style-type: none"> ◦ Internal battery is depleted. Connect to power source using USB or mains cable. ◦ Power adapter or cable is faulty. Try a different compatible cable/adaptor.
Poor FM radio reception.	<ul style="list-style-type: none"> ◦ Telescopic antenna not fully extended. Extend it completely. ◦ Interference from other electronic devices. Move the unit away from them. ◦ Weak signal in your location. Try repositioning the unit or using an external antenna if available.
MP3 files not playing from USB/SD.	<ul style="list-style-type: none"> ◦ Incorrect file format. Ensure files are in MP3 format. ◦ USB drive/SD card not properly inserted. Re-insert firmly. ◦ USB drive/SD card capacity too large or incompatible. The unit supports up to 8GB for USB and 32GB for SD cards. ◦ Corrupted files on the storage device. Try with different files or a different device.
Remote control not working.	<ul style="list-style-type: none"> ◦ Remote control batteries are dead or incorrectly inserted. Replace batteries and check polarity. ◦ Internal rechargeable battery of the main unit is low. Charge the unit. ◦ Obstruction between remote and unit. Ensure clear line of sight.
LCD display backlight turns off quickly.	<ul style="list-style-type: none"> ◦ This is normal behavior to conserve power and avoid disturbing sleep. Press any button on the unit or remote to reactivate the backlight.
Alarm volume is too loud.	<ul style="list-style-type: none"> ◦ The alarm volume is fixed and cannot be adjusted separately from the main volume. Consider adjusting the main volume before setting the alarm if this is a concern.

SPECIFICATIONS

Feature	Detail
Product Dimensions	5.12 x 3.74 x 3.54 inches
Item Weight	1.1 pounds
Model Number	MB300H
Power Source	Battery Powered (Rechargeable Internal Battery) / AC Power Adapter
Battery Type	1 Lithium Ion battery (internal), 2 AAA batteries (backup)
Speaker Output	2 x 3W (60mm speakers)
Connectivity Technology	Auxiliary (3.5mm), USB, SD Card
Tuner Technology	FM
Special Features	Alarm Clock, FM Radio, MP3 Playback, Temperature Display, Sleep Timer, Remote Control
Color	Retro (Black/Wooden finish)

WARRANTY AND SUPPORT

August International Ltd. provides a warranty for its products. Specific warranty terms and conditions are typically provided with your purchase documentation or can be found on the official August website. Please retain your proof of purchase for warranty claims.

Customer Support

For technical support or customer service inquiries, please contact August International Ltd. directly:

- **Email:** service@augustint.com
- **Website:** www.augustint.com
- **Phone (UK):** +44 (0) 845 250 0586 (Carrier Rates Apply)
- **Phone (EU Distributor - Daffodil Germany GmbH):** +49 (0) 511 97812978

Product contains Lithium battery. Keep packaging dry and cool.

Mini MP3 Musicbox with FM Alarm Clock (MB300)

The August MB300 is a stylish remote controlled mini MP3 Hi-Fi system with FM radio and alarm clock function, ideal for bedside, boat, party and travellers.

The high quality mini MP3 player comes with SD/MMC card reader and USB socket for music playback from memory cards and USB sticks.

A 3.5mm audio line-in jack is included for playing music from an external iPod, MP3 player or any audio player with an audio out socket.

The built-in lithium rechargeable battery allows music playback for up to five hours and backup power supply for the clock and calendar, as provided by two AAA batteries when the device is removed or disconnected from the mains.

The MB300 has a built-in alarm clock which offers three wake-up modes including buzzer, FM radio and MP3 music.



Main Features:


- High quality mini MP3 player & FM clock radio
- Integrated alarm and alarm clock
- Display mode in Celsius and Fahrenheit
- Display time in 12 and 24 hour format
- Alarm wake-up modes: FM radio, MP3 music or buzzer
- Integrated SD/MMC card reader
- Integrated USB and 3.5mm audio in jacks
- FM radio frequency: 87.5 - 108 MHz
- Built-in rechargeable battery for 5 hours playback
- 2 x AAA batteries to supply power to clock (included)
- AC (110/240V) USB power adapter & charger (included)
- 2 x 3.5mm high quality speakers (optional stereo)
- Internal remote control
- Dimensions: 130 width x 90 height x 55mm depth
- Weight: 500/525g inc. 2xAAA batteries
- USB box packaging and user manual

August International Ltd reserves all rights, including copyright and price without notice.
www.augustintl.com

[pdf] User Manual Specifications

Provided by ManualsAndMore Download User Manual August MB300 Specification manualsandmore ||| Mini MP3 Musicbox with FM Alarm Clock **MB300** The August **MB300** is a stylish remote controlled mini MP3 Hi-Fi system with FM radio and alarm clock function, ideal for bedside, boat, party and travellers. The high quality mini MP3 player comes with SD/MMC card reader and USB socket for music playback ... lang:en score:36 filesize: 140.3 K page_count: 1 document date: 2019-07-23

AUGUST User Manual MB300



- FM Radio and Music Alarm Clock
- Radio-Réveil FM et Lecteur de Musique
- Musikbox und Radiowecker mit FM Radio
- Radiowecker FM et Lecteur de Musique
- Radio FM despertador y reproductor de música

August International Ltd
Unit 10, 11 & 12, 250000
www.augustintl.com

[pdf] August MB300: User Manual for FM Radio and Music Alarm Clock

Comprehensive user manual for the August MB300, a versatile FM clock radio with MP3 playback, alarm functions, and a built-in music player. Learn about setup, features, safety, and troubleshooting. lang:en score:24 filesize: 10.23 M page_count: 9 document date: 2020-07-21

Mini MP3 Musicbox with FM Alarm Clock (MB300)

The August MB300 is a stylish remote controlled mini MP3 Hi-Fi system with FM radio and alarm clock function, ideal for bedside, boat, party and travellers.

The high quality mini MP3 player comes with SD/MMC card reader and USB socket for music playback from memory cards and USB sticks.

A 3.5mm audio line-in jack is included for playing music from an external iPod, MP3 player or any audio player with an audio out socket.

The built-in lithium rechargeable battery allows music playback for up to five hours and backup power supply for the clock and calendar, as provided by two AAA batteries when the device is removed or disconnected from the mains.

The MB300 has a built-in alarm clock which offers three wake-up modes including buzzer, FM radio and MP3 music.



Main Features:

- High quality mini MP3 player & FM clock radio
- Integrated alarm and alarm clock
- Display mode in Celsius and Fahrenheit
- Display time in 12 and 24 hour format
- Alarm wake-up modes: FM radio, MP3 music or buzzer
- Integrated SD/MMC card reader
- Integrated USB and 3.5mm audio in jacks
- FM radio frequency: 87.5 - 108 MHz
- Built-in rechargeable battery for 5 hours playback
- 2 x AAA batteries to supply power to clock (included)
- AC (110/240V) USB power adapter & charger (included)
- 2 x 3.5mm high quality speakers (optional stereo)
- Internal remote control
- Dimensions: 130 width x 90 height x 55mm depth
- Weight: 500/525g inc. 2xAAA batteries
- USB box packaging and user manual

August International Ltd reserves all rights, including copyright and price without notice.
www.augustintl.com

[pdf] User Manual Specifications Dimension Guide Declaration of Conformity

Microsoft Word AUGUST MB300 doc Ke Yang Mini MP3 Musicbox with FM Alarm Clock Augustint Infrared remote control Dimensions 130 width x 90 height 95mm depth Weight 500g 525g inc 2xAAA batteries Gift box packaging and user manual The August is a stylish controlled mini Hi Fi system radio alarm clock function ideal for bedside boat party travellers high quality player comes SD MMC card reader USB socket music playback from memory cards sticks augustint * International Ltd reserves right to revise specifications prices without notice on products portable systems 80 Mini MP3 Musicbox with FM Alarm Clock **MB300** The August **MB300** is a stylish remote controlled mini MP3 Hi-Fi system with FM radio and alarm clock function, ideal for bedside, boat, party and travellers. The high quality mini MP3 player comes with SD/MMC card reader and USB socket for music playback ... lang:en score:22 filesize: 137.8 K page_count: 1 document date: 2010-03-23

AUGUST

August MB300 - Radiowecker - MP3 Player / Stereoanlage

Uhrenradio - AUX-Eingang / Kartenleser / USB-Eingang / 2x3W Lautsprecher / Eingebauter aufladbarer Akku

EAN: 5071812207142

- Musikanlage mit Radiowecker
- Thermometer in °C oder °F
- LCD Uhr in 12 oder 24 Stundenformat
- Weckton als MP3, Radio oder "Beep"
- Integriertes SD/MMC Karte Reader
- Integriertes USB Port und 3.5mm Line In Buchse
- FM Radio Frequenz: 87.5 - 108 MHz
- Eingebauter Akku, bis zu 5 Stunden Abspielzeit

Spezifikationen

- LCD Display: 2 x 24/12,1 cm
- Lautsprecher: 2 x 3 Watt
- Radio: 87.5 - 108 MHz
- Music Player: MP3
- MP3 Equalizer: Normal, Rock, Live, Bass and Classic
- CD Kartenleser: SD Karten bis zu 2 GB
- USB Anschluss: USB Sticks im FAT Format bis zu 2GB
- Integriertes Akku: 500 mAh Li-Ion, wiederaufladbar
- Ladezeit: ca. 3 Stunden
- Batterietyp: Ca. 5 Stunden
- Batterie für Uhrzeitwecker: 2 x AAA-Batterien
- Ladekabel: 30 cm lang
- Abmessungen: 130x90x55mm
- Gewicht: 500g (225g mit 2 x AAA-Batterien)

Foto



August MB300 Seite 1

[pdf]

August003 August MB300 Radiowecker MP3 Player Stereoanlage OTTOMusikanlage mit Thermometer in °C oder °F LCD Uhr 12 24 Stundenformat Weckton als Radio Beep23553374d otto de files 23553374 |||

August **MB300** - Radiowecker - MP3 Player / Stereoanlage Uhrenradio - AUX-Eingang / Kartenleser / USB-Eingang / 2x3W Lautsprecher / Eingebauter aufladbarer Akku EAN: 5071812207142 - Musikanlage mit Radiowecker - Thermometer in C oder F - LCD Uhr in 12 oder 24 Stundenformat - Weckton als MP3, Radio ode... lang:de score:21 filesize: 257.81 K page_count: 1 document date: 2015-03-12



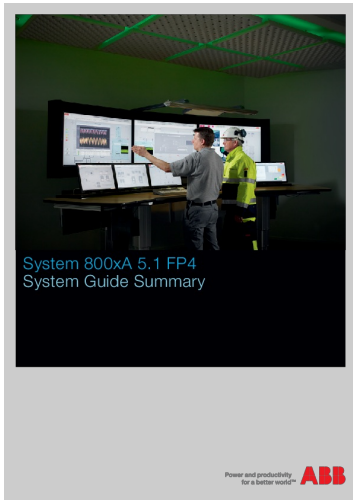
[\[pdf\]](#) User Manual

MB300 EC 20150825 Administrator FM Radio and Music Alarm Clock Réveil et Lecteur de Vielen Dank für den Kauf der August Mini USB Anlage mit Uhrenradio Diese Bedienungsanleitung dient dazu Sie allen Funktionen des Gerätes im billiger de dynamisch bNPR0a19a

jX90aFpmTDmHt4H9rycHjeBa9LTdXG2DA8I5c ilS5r0H07z5akp6XTZ3m6mjWgUEIFYcsW9Td9k |||

August International Ltd United Kingdom Telephone: 44 0 845 250 0586

www.augustint.com EN FM Rad ... adio FM despertador y reproductor de msica Bedienungsanleitung Vielen Dank fr den Kauf der August **MB300** Mini USB Anlage mit Uhrenradio. Diese Bedienungsanleitung dient dazu, Sie mit allen Funktion... lang:de score:20 filesize: 742.85 K page_count: 9 document date: 2016-02-17

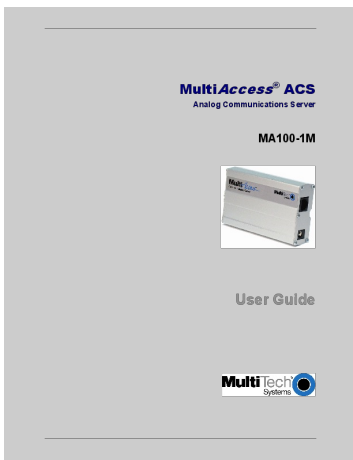


[\[pdf\]](#) Guide

3BSE069079 en A 800xA System guide summary indd B 5 1 FP4 Guide Summary library e abb public 89739755f003fd21c1257e2f003da3b7

System 800xA 5.1 FP4 System Guide Summary 2 800xA System Guide Summary Index System 800xA Syste ... tem 800xA and the control network. Integration was introduced for controllers on the MasterBus 300 **MB300** as well as for controllers on the Advant Fieldbus 100 AF100 network. Today System 800xA is ...

lang:en score:20 filesize: 27.88 M page_count: 76 document date: 2015-04-22



[\[pdf\]](#) User Manual Documentation Guide Warranty

MultiAccess MA100 1M Multi Tech Systems Inc Brent Pedersen ACS MultiTech Chapter 2 Installation User Guide 8 Connections The MT100 is supplied power through an external supply D 06 22 07 Manual revised to include software version 1 03 05 13 09 Added web link for warranty information Trademarks s000351d multitech documents publications manuals

MultiAccess ACS Analog Communications Server MA100-1M User Guide MultiAccess ACS User Guide MA100- ... on: MBn Online BPS Speed n = speed in bits per second 28,800 MB75 Selects CCITT V.23 mode **MB300** Selects 300 bps on-line MB1200 Selects 1200 bps on-line MB2400 Selects 2400 bps on-line...

lang:en score:20 filesize: 2.93 M page_count: 71 document date: 2009-05-13



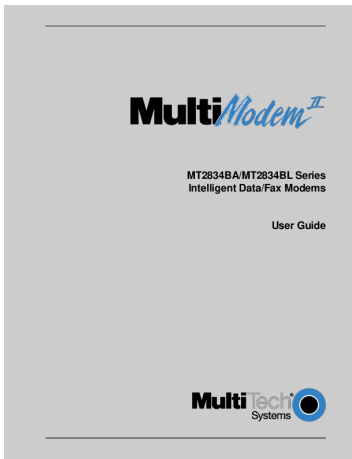
[\[pdf\]](#) User Manual Guide

MA420 820 User Guide Multi Tech Systems Inc MultiTech B 09 26 06 Changed TCP port to 6000 C 11 16

Major review D 07 13 Manual revised include software version 1 03 Chapter Product Description Specification MultiAccess 7 LED Indicators Front Panel MA820 s000404d multitech documents publications manuals

MultiAccess ACS Analog Communications Server MA220 MA420 MA820 User Guide MultiAccess ACS User Gui ... on: MBn Online BPS Speed n = speed in bits per second 28,800 MB75 Selects CCITT V.23 mode **MB300** Selects 300 bps on-line MB1200 Selects 1200 bps on-line MB2400 Selects 2400 bps on-line...

lang:en score:19 filesize: 4.54 M page_count: 80 document date: 2007-07-17



[\[pdf\]](#) User Manual Guide Diagram

S000300B p65 MW MT2834BA MT2834BL Series Intelligent Data Fax Modems User MultiTech 1 2 How To Use This Manual A summary of the information contained in each chapter and appendix follows Chapter Introduction Description begins with a short introduction followed by guide which you are now reading to use this manual There is discussion about what components can expect your modem package 4 Dial Automatic Answer covers some operations but delays on Command Mode operation s000300b multitech documents publications manuals

MT2834BA/MT2834BL Series Intelligent Data/Fax Modems User Guide User Guide S000300B Revision B Mul ... ps to 2400 baud. The command to set the Modem Baud Rate is AT MBn, where n can be: AT MB75 = AT **MB300** = AT MB1200 = AT MB2400 = AT MB4800 = AT MB9600 = AT MB14400 = AT MB19200 = AT MB28800 ... lang:en score:19 filesize: 868.56 K page_count: 120 document date: 2005-08-23



[August MB300 FM Radio and Music Alarm Clock User Manual](#)

User manual for the August MB300 FM Radio and Music Alarm Clock, detailing setup, features, troubleshooting, and warranty information.

lang:en score:18 filesize: 11.07 M page_count: 9 document date: 2020-07-21



[August MB300 Mini MP3 Musicbox with FM Clock Radio User Manual](#)

Comprehensive user manual for the August MB300 Mini MP3 Musicbox, detailing its features, operation, specifications, and troubleshooting for FM radio, MP3 playback, and clock alarm functions.

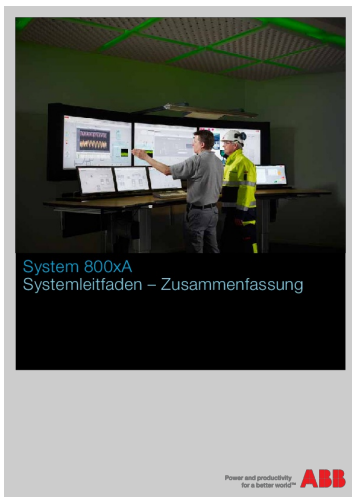
lang:en score:18 filesize: 10.63 M page_count: 9 document date: 2020-07-21



[\[pdf\]](#) User Manual

MB300 DE cdr AUG Niki Augustint User Manual MODE BE BO 77 IF1L 1019 SET O OPPORT NORD RADIO August International Ltd United Kingdom Tel 44 0 845 250 augustint cn manuals

... lang:en score:18 filesize: 10.35 M page_count: 9 document date: 2020-07-21



[\[pdf\]](#) Guide

3BSE069079 de System 800xA Guide Summary library e abb public 930445337ee853a7c1257c6e00465f12

System 800xA Systemleitfaden Zusammenfassung 2 System 800xA Systemleitfaden Zusammenfassung ... ontrol-Netzwerk entwickelt. Es wurden Integrationsmglichkeiten fr Controller auf dem MasterBus 300 **MB300** sowie fr Controller auf dem Advant Fieldbus 100 AF100 Netzwerk eingefhrt. Heute wird System...

lang:de score:17 filesize: 16.94 M page_count: 76 document date: 2014-01-13

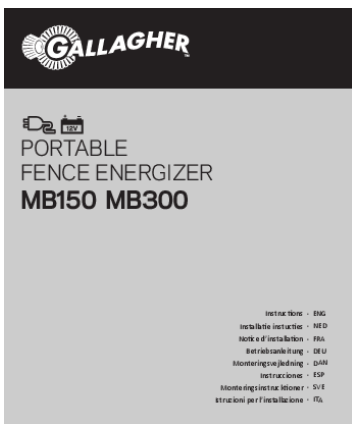


[pdf] Specifications Guide

System 800xA 5.1 Guide Functional Description ABB 3BSE038018 510 H en library e abb public 898c17457d403304c1257b40002e8171

System 800xA System Guide Functional Description System Version 5.1 Power and productivity for a b ... unctions 424
MasterBus 300 **MB300** Communication 425 Controller Communication via MB 300...

lang:en score:16 filesize: 21.56 M page_count: 608 document date: 2013-03-01

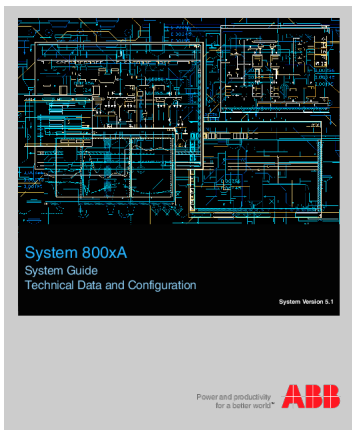


[pdf] User Manual

3E4722 MB150 MB300 Portable Energizer Web indb alisonc Gallagher Dual Power Electric Fence Charger 1.5 Joule 12v Battery or 110v AC with Adaptive Energy Control at Tractor Supply Co 2441593 Man1 media tractorsupply is content TractorSupplyCompany tsc product 2 44 15 93 |||

PORTABLE FENCE ENERGIZER MB150 **MB300** Instruc ons - ENG Installa e instuces - NED No ce d installa on - FRA Betriebsanleitung - DEU Monteringsvejledning - DAN Instrucciones - ESP Monteringsinstruck oner - SVE Istruzioni per l installazione - ITA PUBLISHED BY Gallagher Group Limited Kahikatea Drive...

lang:en score:16 filesize: 2.93 M page_count: 106 document date: 2022-08-11



[pdf] Specifications Guide

System 800xA 5.1 Guide Technical Data and Configuration ABB 3BSE041434 510 J en library e abb public b718dbcf17ca2652c1257c6e002f65df |||

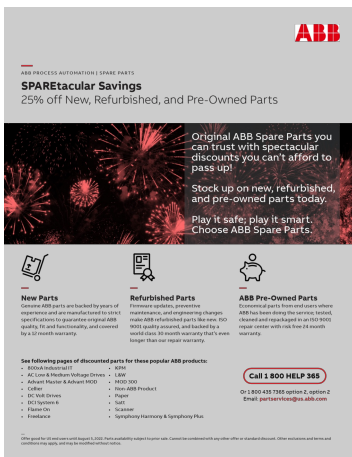
System 800xA System Guide Technical Data and Configuration System Version 5.1 Power and productivi ... data refers to a validated configuration and it is not a technical limitation. 5. Maximum 4.8 per **MB300** network. 6. Refer to 800xA for Advant Master. 7. If no Batch IM. 8. If no Batch or IM. 9. Larg...

lang:en score:16 filesize: 2.69 M page_count: 264 document date: 2014-01-10



[pdf]

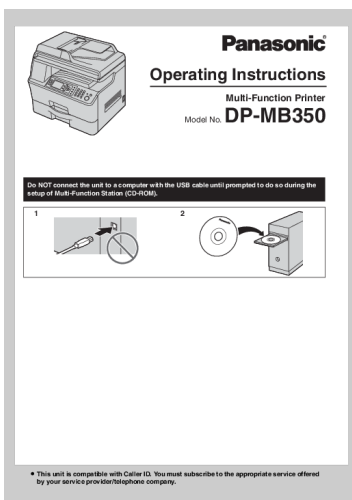
82044801 MLD multitech 80 DOCUMENTS manuals
 TM MT2834ZPXI Interne Fax-/Modemkarte Anwenderhandbuch Tech Systems EMC
 Electromagnetic Compatibi ... precher eingeschaltet whrend Whlvorgang,
 abgeschaltet whrend Quittungsbetrieb. n = Geschwindig- **MB300** bestimmt 300 bps,
 wenn keiten aktiv. MB1200 bestimmt 1200 bps, wenn aktiv. MB2400 besti...
 lang:de score:15 filesize: 180.33 K page_count: 53 document date: 1999-07-26



[pdf] Specifications Guide Warranty

— SPAREtacular Savings 25% off New Refurbished and Pre 5 ago 2022 Offer good for US end users
 until August Parts availability subject to TAPE DRIVE CABLE B2600 owned Guide band GR4300100 T47
 Teflon MyPV3Ar2Ej1z2IZEt4c library e abb public 715264b5e3c845ce9e215b288414e495 08052022 x
 sign E6OXakf2to 5jJULcaSZAYA6fCauQqnK7I9W3PmpvO0W |||
 -- ABB PROCESS AUTOMATION SPARE PARTS SPAREtacular Savings 25 off
 New, Refurbished, and Pre-Owned ... A 133,****REFURB***** DSDP 140B,7650
 055-244 DSDX 454,-----REFURB----DSMB 176 Refurbished DSCS 140 **MB300**
 COMM BOARD AI635,Analog Input 14 2 Ch DSAI130D Analog Input Module,PCBA
 TK510 CABLE ASSEMBLY D...

lang:en score:15 filesize: 1.56 M page_count: 19 document date: 2022-05-20

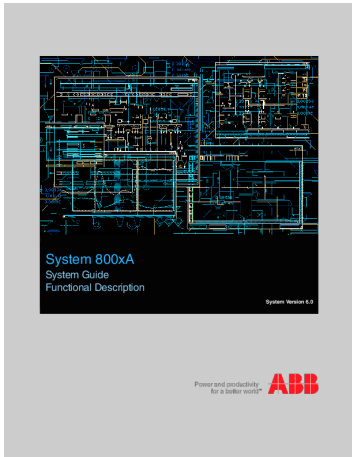


[pdf] Confidentiality Request Letter

Operating Instructions Panasonic System Networks Co Ltd MB350 PNQX2279XA English panasonic ca
 viewing ALL DP OI |||

Operating Instructions Multi-Function Printer Model No. DP-MB350 Do NOT connect
 the unit to a compu ... dealer. 1.1 Supplied accessories 1 Toner cartridge 2 Drum
 cartridge DQ-DCB020 *1 3 CD-ROM PNJK**MB300Z** *1 4 Quick reference guide
 English PNQW1864Z *1 Spanish PNQW1865Z *1 1. Introduction and ...

lang:en score:15 filesize: 4.63 M page_count: 120 document date: 2010-02-09



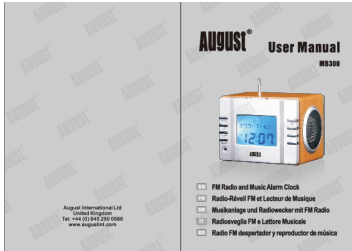
[pdf] Specifications Guide

System 800xA 6 0 Guide Functional Description ABB TNJZrYU VzNY

SqNIXV7nCcF3bBmB6eMBFCETw8e library e abb public d9ce45e2f627f75dc1257dbd0043816c3BSE038018 600 en x sign ABHvLeEeOAUyvwxtCPx1rN |||

System 800xA System Guide Functional Description System Version 6.0 Power and productivity for a b ... unctions 416
MasterBus 300 **MB300** Communication 417 Controller Communication via MB 300...

lang:en score:15 filesize: 21.34 M page_count: 588 document date: 2014-12-15



[pdf] User Manual

MB300 IT cdr AUG Niki User Manual August International Ltd United Kingdom Augustint Untitled Tel 44 0 845 250 0586 augustint FM Radio and Music Alarm Clock Réveil et Lecteur de Musique Musikanlage und Radiowecker mit Radiosveglia e Lettore Musicale MODE BE BO 77 IF1L 1019 SET O OPPORT NORD RADIO manuals cn

...

lang:en score:14 filesize: 10.21 M page_count: 9 document date: 2020-07-21

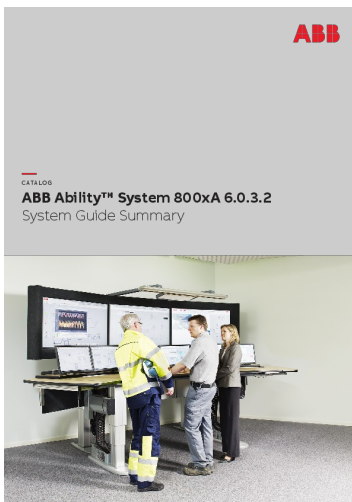


[pdf] User Manual

MB300 EN cdr AUG Niki User Manual Clock Radio with MP3 Alarm August Wake to Your Favourite Music from USB and SD or FM Station Rechargeable Portable Speaker Remote Control Dark Wood Electronics D16ADZDJrCL m media amazon images I |||

D ...

lang:en score:14 filesize: 9.18 M page_count: 9 document date: 2022-04-19



[pdf] Guide

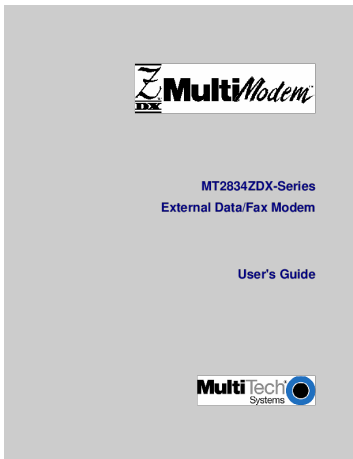
ABB Ability™ System 800xA 6 0 3 2 Guide Summary 3BSE078159 en E Ability x sign

YmsBylITfIAOIUhmp2F3ROUUKCvZigYm9V2prMbz2RKSRqW library e abb public 96867a1890c443bc90761d9860e3fb72

YmsBylITfIAOIUhmp2F3ROUUKCvZigYm9V2prMbz2RKSRqW4fXFQXALN5IOXz3xk |||

-- C ATA L O G ABB Ability™ System 800xA 6.0.3.2 System Guide Summary 2 SYSTEM 800XA 6.0.3.2 SYS ... tem 800xA and the control network. Integration was introduced for controllers on the MasterBus 300 **MB300** as well as for controllers on the Advant Fieldbus 100 AF100 network. Today System 800xA is ...

lang:en score:14 filesize: 29.78 M page_count: 76 document date: 2018-05-18



[pdf] Guide Warranty Test Report

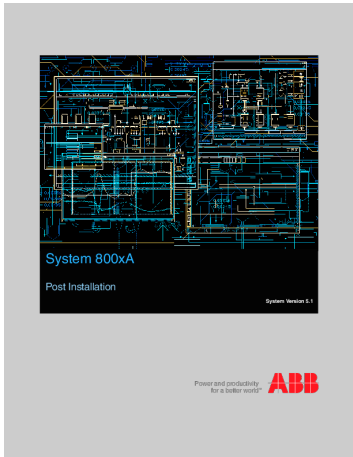
FCC Part 15 Multi Tech Systems Inc S000309C multitech DOCUMENTS Collateral manuals

MT2834ZDX-Series External Data/Fax Modem User s Guide User Guide

MT2834ZDX-Series S000309C Rev. C ... Command: Values: Default: Description:

MBn Modem Baud Rate n = speed 28800 ZDX or 33600 ZDXb **MB300** Originate call at 300 bps. MB1200 Originate call at 1200 bps. MB2400 Originate call at 2400 ...

lang:en score:13 filesize: 214.6 K page_count: 34 document date: 2005-08-22



[pdf] User Manual Specifications

System 800xA 5 1 Post Installation installation post manual ABB Windows Server 2008 R2 is not supported New Installations If starting with an preinstalled by procedures can be 3BUA000156 510 C en library e abb public 5e05b8acb8966649c125790a0036e71b |||

System 800xA Post Installation System Version 5.1 Power and productivity for a better world™ S ... ation..... 101

Assigning **MB300** Network and RTA Board Objects to the Control Structure . 102 RTA Board Network Settings

lang:en score:13 filesize: 4.64 M page_count: 230 document date: 2011-07-27

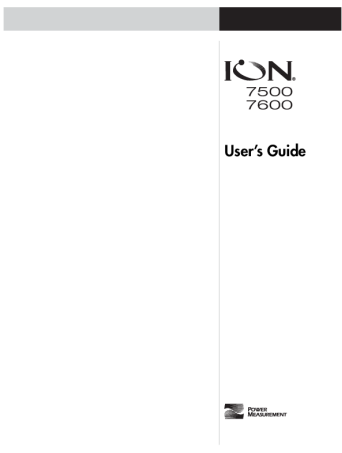


[pdf]

august mb300 mp3 player 1 cdn1 onlinefreeguides view 141367 |||

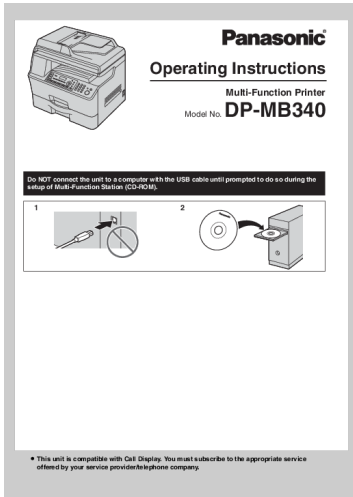
...

lang:en score:12 filesize: 141.25 K page_count: 1 document date: 2016-01-22



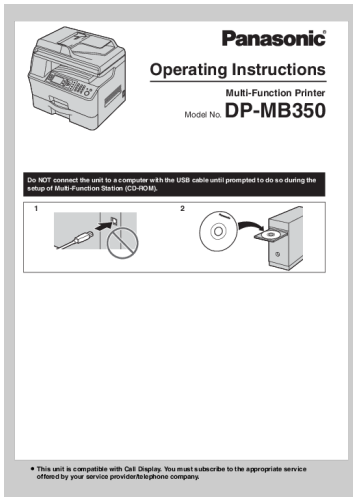
[\[pdf\]](#) Instructions Guide

ION 7500 7600 Series User s Guide amyr be82f81e dae2 4a17 8ab8 70b45d4d4c4d Users dl owneriq net
80 b www2 schneider electric library SCHNEIDER ELECTRIC SE LOCAL APS 210524 46AA
User s Guide Notices For further assistance please contact us at: Worldwide
Headquarters 2195 Kea ... allback, disable fall forward. E2 Enable fallback and fall
forward. MB75 Selects CCITT V.23 mode **MB300** Selects 300 bps on-line MB1200
Selects 1200 bps on-line MB2400 Selects 2400 bps on-line MB4...
lang:en score:11 filesize: 8 M page_count: 372 document date: 2004-10-21



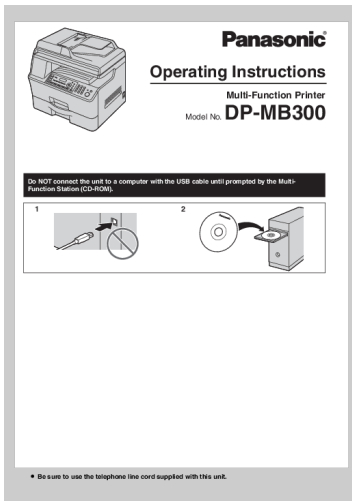
[\[pdf\]](#) Confidentiality Request Letter

Operating Instructions Panasonic Communications Co Ltd Model No L This unit is compatible with Call
Display You must subscribe to the appropriate service offered by your provider telephone company Multi
Function Printer MB340 C PNQX2275ZA English panasonic ca viewing ALL DP OI
Operating Instructions Multi-Function Printer Model No. DP-MB340 Do NOT connect
the unit to a compu ... lation 1.1 Supplied accessories 1 Toner cartridge 2 Drum
cartridge DQ-DCB020-C *1 3 CD-ROM PNJK**MB300Z** *1 4 Quick reference guide
English PNQW1855Z *1 French PNQW1856Z *1 1.2 Accessory informa...
lang:en score:11 filesize: 4.64 M page_count: 120 document date: 2009-07-15



[\[pdf\]](#) Confidentiality Request Letter

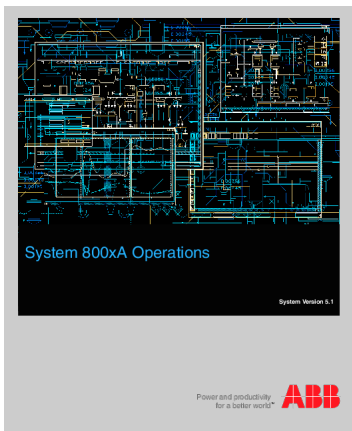
Operating Instructions Panasonic Communications Co Ltd Model No L This unit is compatible with Call
Display You must subscribe to the appropriate service offered by your provider telephone company Multi
Function Printer MB350 C PNQX2277ZA English panasonic ca viewing ALL DP OI
Operating Instructions Multi-Function Printer Model No. DP-MB350 Do NOT connect
the unit to a compu ... lation 1.1 Supplied accessories 1 Toner cartridge 2 Drum
cartridge DQ-DCB020-C *1 3 CD-ROM PNJK**MB300Z** *1 4 Quick reference guide
English PNQW1855Z *1 French PNQW1856Z *1 1.2 Accessory informa...
lang:en score:11 filesize: 4.63 M page_count: 120 document date: 2009-07-15



[Panasonic DP-MB300 Multi-Function Printer: Operating Instructions](#)

Comprehensive operating instructions for the Panasonic DP-MB300 Multi-Function Printer, covering installation, setup, features, troubleshooting, and maintenance.

lang:en score:10 filesize: 4.39 M page_count: 116 document date: 2009-05-11

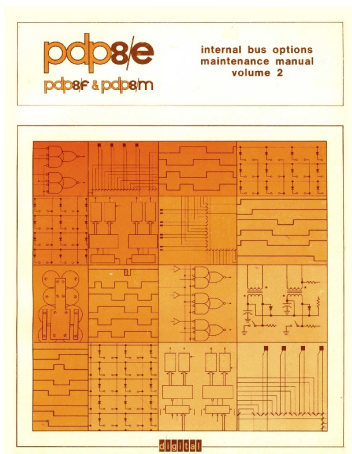


[\[pdf\] User Manual Specifications](#)

System 800xA Operations ABB Abb Dcs 800Xa Manual Pdf 3BSE036904 510 F en 5 1 library e abb public 9b0e967a68aa48f6bcc2ff88ff64cffb |||

System 800xA Operations System Version 5.1 Power and productivity for a better world™ System 8 ... ty Server Node. AdvMbAeOPCServer 1 No nodes available No contact with the controller s on the on **MB300** network MB 300 network. This indicates that no data from the controller s will be available t...

lang:en score:10 filesize: 8.05 M page_count: 336 document date: 2015-07-30

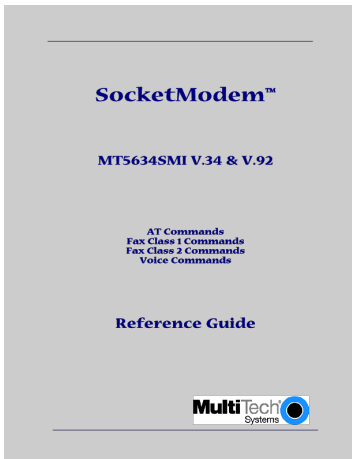


[\[pdf\] User Manual](#)

DEC 8E HMM2A D PDP 8e Maintenance Manual Volume 2 Internal Bus Options Jan74 bitsavers org dec pdp8 pdp8e

internal bus options maintenance manual volume 2 - .- b- . r- . ----- m MAINTENANCE ... igure 3-79 of Volume 1, shows the signals that are important to the divide process. Notice that the **MB300** has no provision for complementing the MD. The only means of complementing is via the data con...

lang:en score:10 filesize: 12.18 M page_count: 232 document date: 2014-01-05



[\[pdf\]](#) User Manual Reference Guide Declaration of Conformity

Microsoft Word S000263C At Commands doc DAR Multi Tech Systems Modem MT5634SMI V 34 user manual 216190 archive org manualsbase id

SocketModem™ MT5634SMI V.34 V.92 AT Commands Fax Class 1 Commands Fax Class 2 Commands Voice Comm ... on: MBn Online BPS Speed n = speed in bits per second 28,800 MB75 Selects CCITT V.23 mode **MB300** Selects 300 bps on-line MB1200 Selects 1200 bps on-line MB2400 Selects 2400 bps on-line ...

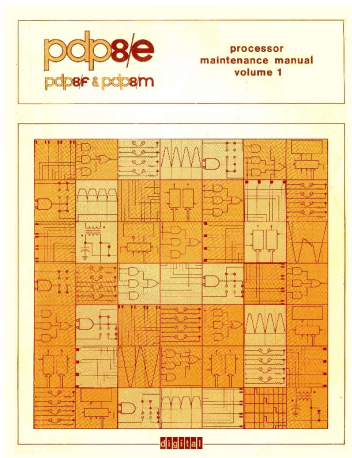
lang:en score:10 filesize: 729.71 K page_count: 136 document date: 2004-06-04



[MotorHome Magazine - October 2013 Issue: New Motorhomes, RV Maintenance & Travel Guides](#)

Explore the October 2013 issue of MotorHome magazine, featuring a sneak peek at 14 new motorhomes, an in-depth look at the American Revolution 38S, chassis maintenance tips, and travel guides to Allegany State Park and Wisconsin water parks. Discover RV lifestyle, hobbies, and product reviews.

lang:en score:10 filesize: 19.81 M page_count: 76 document date: 2014-01-21

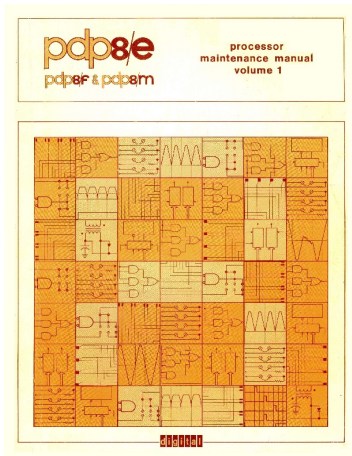


[\[pdf\]](#) User Manual

DEC 8E HMM1A D PDP 8e Maintenance Manual Volume 1 Processor Sep73 bitsavers org dec pdp8 pdp8e

processor maintenance manual volume 1 | r . - W- D-p -..Y T v , / - , - - - T I I - ... parts that are not recommended as spares. Additional spares may be purchased separately. Part No. **MB300** MB310 MB330 G104 G227 1205941 1205375 125B49-13 125B49-12 1209219 7006994 5409264 5409262 Tab...

lang:en score:10 filesize: 18.1 M page_count: 296 document date: 2013-12-11



[\[pdf\]](#) User Manual

processor maintenance manual volume 1 OFF IPOWER PANEL LOCK SW ITCH Figure 3 66 PDP 81M Panel Lock Wiring through Data Control Gate X to adder A is gated the register in line DEC 8E HMM1A D 8e Maintenance Manual Volume 1 Processor Sep73bitsavers informatik uni stuttgart de dec pdp8 pdp8e DEC Sep73 |||

processor maintenance manual volume 1 | r . - W- D-p -..Y T v , / - , - - - T I I - ... parts that are not recommended as spares. Additional spares may be purchased separately. Part No. **MB300** MB310 MB330 G104 G227 1205941 1205375 125B49-13 125B49-12 1209219 7006994 5409264 5409262 Tab...

lang:en score:9 filesize: 18.1 M page_count: 296 document date: 2013-12-11

