



[Manuals.plus](#) /

> [Victor](#) /

> Victor M123 Quick-Kill Easy Set Mouse Trap User Manual

Victor M140S3

Victor M123 Quick-Kill Easy Set Mouse Trap User Manual

Model: M140S3 | Brand: Victor

INTRODUCTION

The Victor Quick-Kill Mouse Trap is designed for ease of use and effective rodent control. It features a simple setting mechanism and Precision Strike Technology to ensure a quick and humane kill. The trap's design also facilitates no-touch disposal of captured rodents, making it a hygienic solution for pest management.

SAFETY INFORMATION

WARNING: Handle with extreme care. Keep out of reach of children and pets. Traps can cause injury if improperly handled.

Always place traps in locations inaccessible to children and non-target animals. Avoid placing fingers or other body parts near the trap's kill bar when it is set. After setting, always handle the trap from the rear.

SETUP

- Bait Placement:** Open the covered bait cup located at the front of the trap. Apply a small amount of bait, such as peanut butter, chocolate spread, or a small nut, into the bait cup. The covered design helps prevent bait theft and accidental triggers.



Large bait cup for easy bait placement

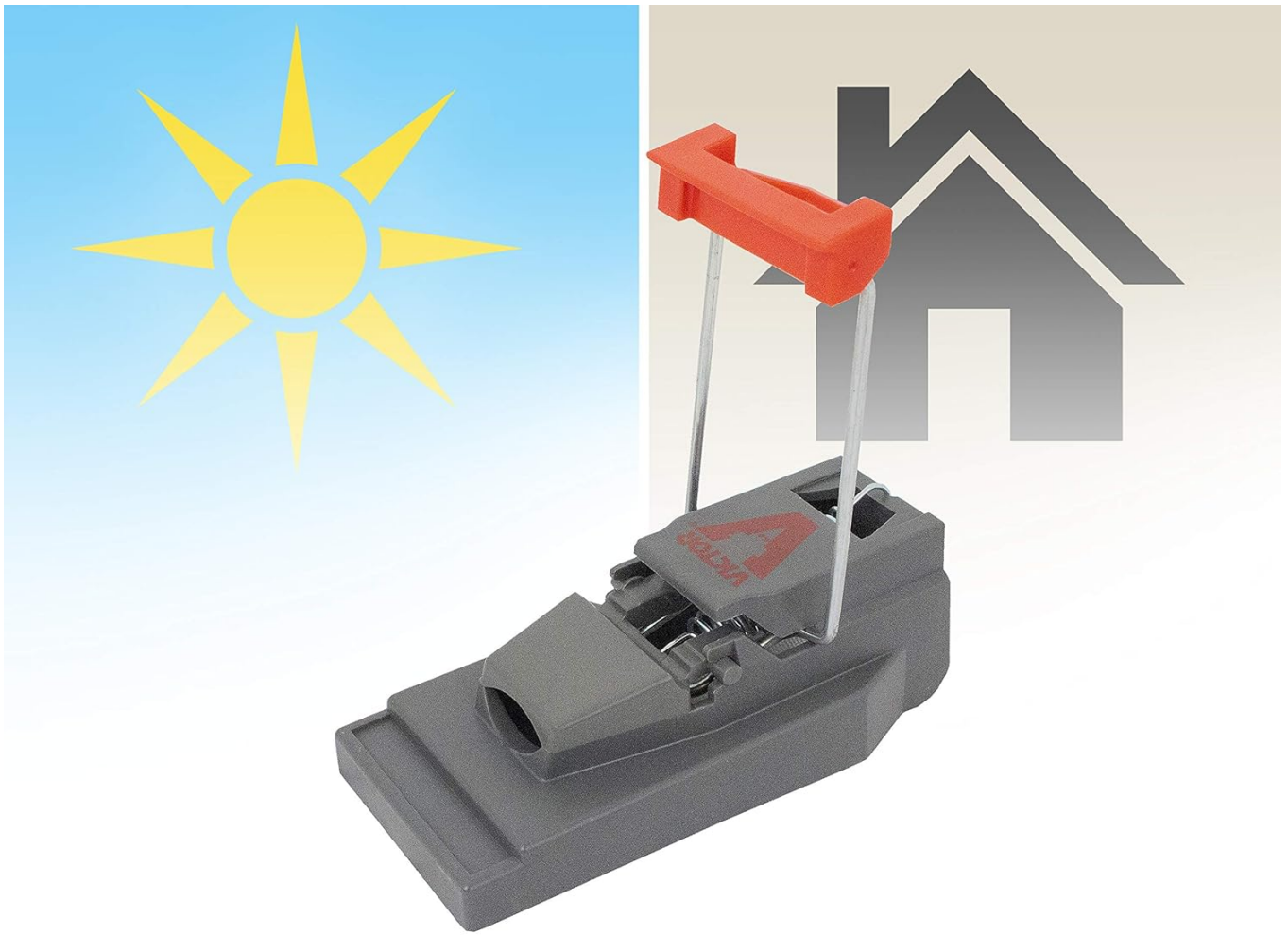
Image: Large bait cup for easy bait placement.



Covered bait cup prevents accidental triggers and reduces bait theft

Image: Covered bait cup prevents accidental triggers and reduces bait theft.

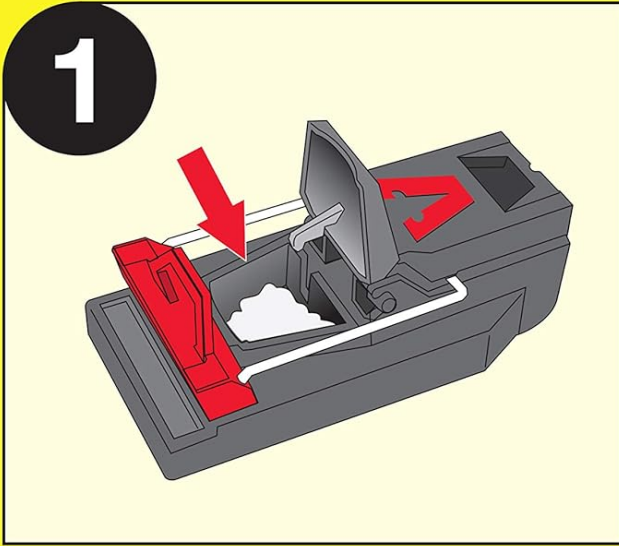
2. **Setting the Trap:** Hold the trap firmly. Pull back the red kill bar handle until it clicks and locks into place. The trap is now set and ready for deployment.



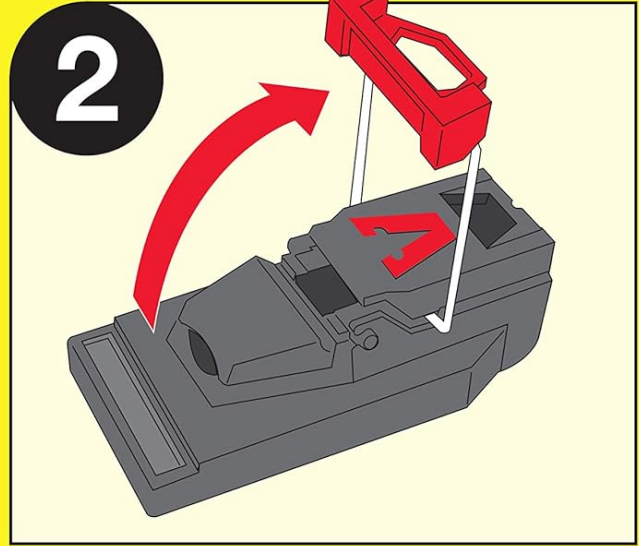
Ideal for indoor or outdoor use

Image: Lift the red kill bar and set with one click.

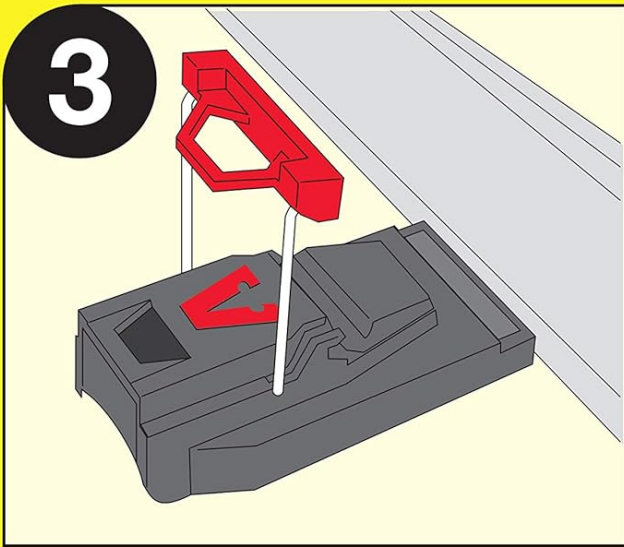
- 3. Placement:** Position the trap where signs of rodent activity are visible, such as along walls, in corners, or near food sources. Ensure the baited end is facing the wall. The trap is suitable for both indoor and outdoor use.



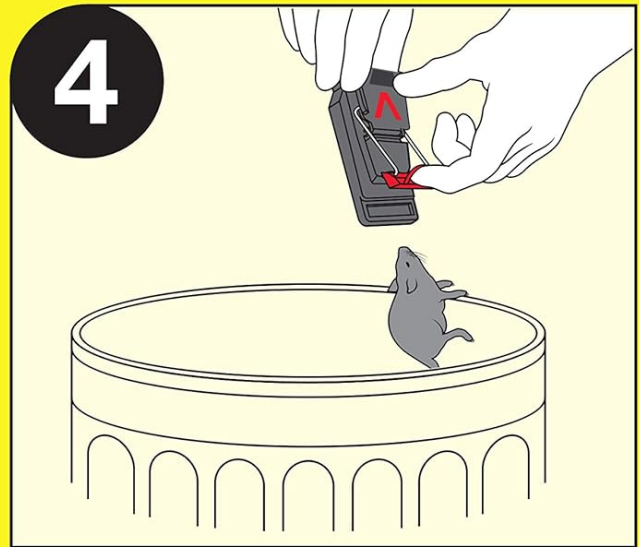
Apply bait under bait cover.



Pull back the red kill bar handle until it clicks and the trap locks into place.



Place trap where signs of rodent activity are visible.

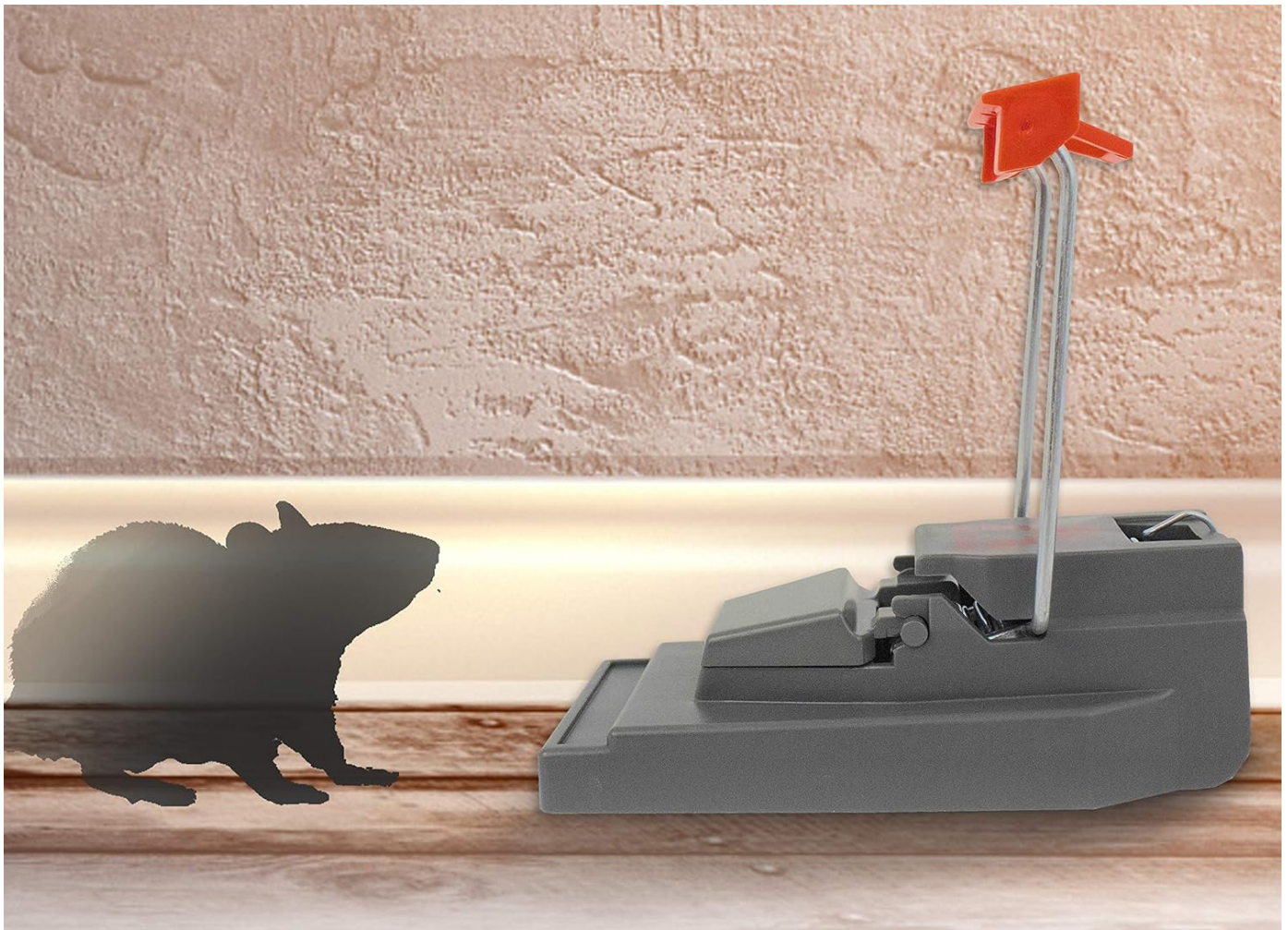


Hold trap at rear. Slowly lift the red kill bar handle to discard.

Image: Visual guide for baiting, setting, placing, and disposing of the trap.

OPERATING INSTRUCTIONS

Once set, the Victor Quick-Kill Mouse Trap utilizes Precision Strike Technology. When a mouse attempts to access the bait, the covered bait trough ensures the rodent is positioned correctly for the high-impact kill bar. This results in an immediate and humane kill.



Precision Strike Technology™

Ensures mice are perfectly situated for a quick, humane kill

Image: Precision Strike Technology ensures mice are perfectly situated for a quick, humane kill.

To dispose of a captured rodent, hold the trap from the rear and slowly lift the red kill bar handle. The mechanism will open, allowing for no-touch disposal directly into a waste receptacle. The trap can then be reset or discarded.



Reusable or disposable

Image: Reusable or disposable design for convenience.

MAINTENANCE

The Victor Quick-Kill Mouse Trap is designed for reusability. After disposal of a captured rodent, the trap can be cleaned with warm, soapy water if desired. Ensure the trap is completely dry before re-baiting and re-setting. Regular cleaning helps maintain hygiene and can prolong the life of the trap.

TROUBLESHOOTING

- **Trap is set off but no catch:** This can occur if the mouse is able to retrieve the bait without fully engaging the trigger. Ensure bait is pressed firmly into the bait cup. Consider using a stickier bait like peanut butter or a small, hard nut that requires more effort to remove.
- **Bait is gone but trap is not sprung:** This indicates the mouse was able to access the bait without triggering the mechanism. Ensure the trap is properly set and locked. The covered bait cup is designed to minimize this, but very cautious mice may still manage.
- **Trap is not catching mice:** Review trap placement. Mice tend to travel along walls. Place traps perpendicular to walls with the baited end closest to the wall. Ensure there are no alternative food sources nearby that might distract mice from the trap.

SPECIFICATIONS

Brand: Victor

Model Number: M140S3

Color: Gray

Material: Plastic

Item Weight: 2.59 ounces

Number of Pieces: 3 (in this pack)

Product Dimensions: 2 x 5.44 x 5.44 inches

Target Species: Mouse

WARRANTY & SUPPORT

For warranty information or product support, please refer to the manufacturer's official website or contact their customer service department. Keep your purchase receipt for any warranty claims.