

Manuals.plus /

› Northern Tool+Equipment /

› Northern Tool Side-Mount Truck Tool Box User Manual - Model 36212761

Northern Tool+Equipment 36212761

Northern Tool Side-Mount Truck Tool Box User Manual

Model: 36212761

1. INTRODUCTION

This manual provides essential information for the safe and effective installation, operation, and maintenance of your Northern Tool Side-Mount Truck Tool Box. Please read this manual thoroughly before use and retain it for future reference. This tool box is designed to provide secure, weather-resistant storage for tools and equipment in a truck bed, mounting on the side rails.



Image 1.1: The Northern Tool Side-Mount Truck Tool Box, matte black finish.

2. SAFETY INFORMATION

Always observe the following safety precautions to prevent injury or damage to the product.

- **Proper Installation:** Ensure the tool box is securely mounted to the truck bed rails according to the installation instructions. Loose mounting can lead to the box shifting or detaching during vehicle operation, posing a safety hazard.
- **Weight Capacity:** Do not exceed the recommended weight capacity of the tool box or your truck bed rails. Overloading can compromise structural integrity and vehicle stability.

- **Lid Operation:** Be cautious when opening and closing the lid. The gas shocks are designed to assist, but fingers or other objects can still be pinched.
- **Security:** Always lock the tool box when not in use or when the vehicle is unattended to prevent theft and secure contents during transit.
- **Sharp Edges:** While edges are smooth, exercise caution during handling and installation to avoid cuts.

3. PACKAGE CONTENTS

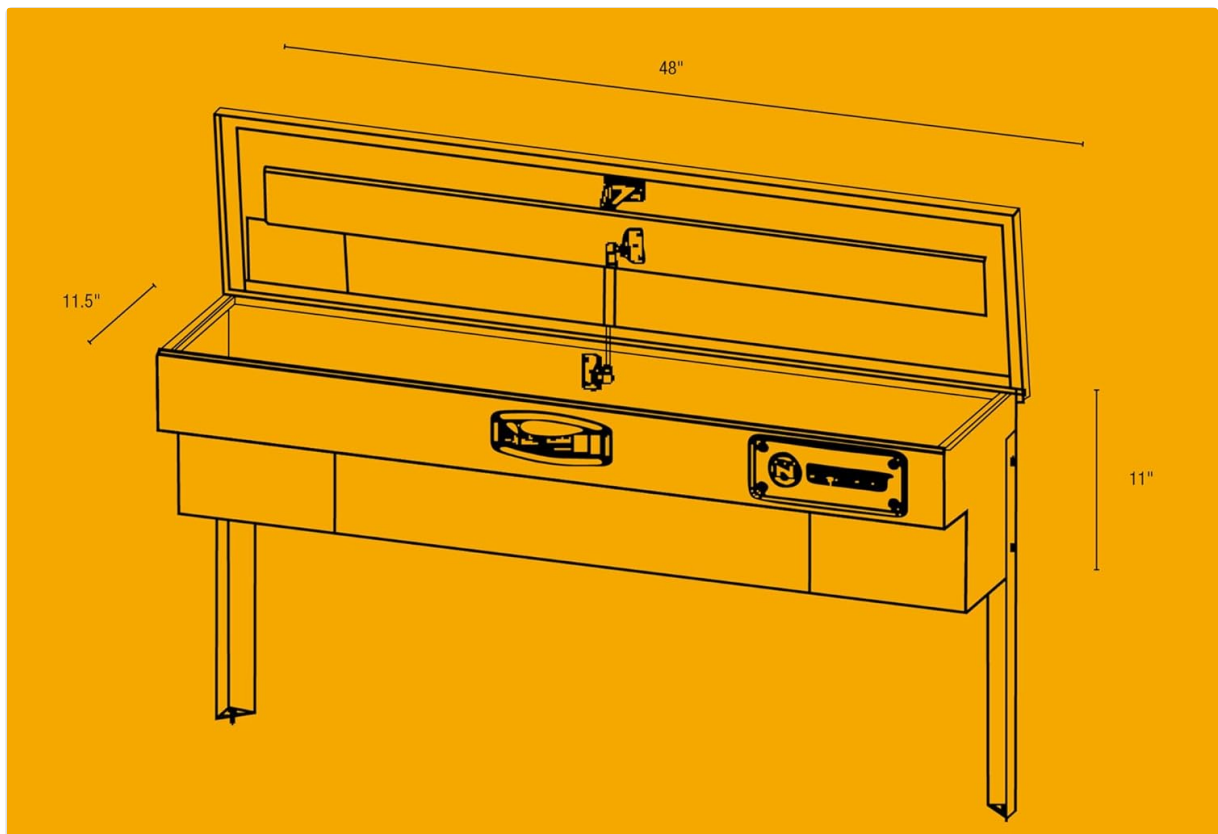
Verify that all components are present upon unpacking:

- Northern Tool Side-Mount Truck Tool Box (1)
- Keys for Latch (2)
- Mounting Hardware (quantity may vary based on specific kit)
- Support Legs (2)

4. SETUP AND INSTALLATION

Follow these steps for proper installation of your side-mount truck tool box.

1. **Positioning:** Carefully place the tool box on the side rails of your truck bed in the desired location. Ensure it does not interfere with other truck bed accessories or vehicle operation.
2. **Install Support Legs:** Attach the support legs to the underside of the tool box and extend them to rest on the truck bed floor. Adjust their length to provide stable support and prevent sagging.
3. **Secure Mounting:** Using the provided mounting hardware, secure the tool box to the truck bed rails. Follow the specific instructions included with your mounting kit. Ensure all fasteners are tightened securely, but do not overtighten.
4. **Final Check:** After installation, gently shake the tool box to confirm it is firmly attached and stable. Verify that the lid opens and closes freely without obstruction.



RUGGED + SPACE SAVING

48IN. L X 11.5IN. W X 11IN. H

Image 4.1: Line drawing illustrating the dimensions of the tool box (48in. L x 11.5in. W x 11in. H).

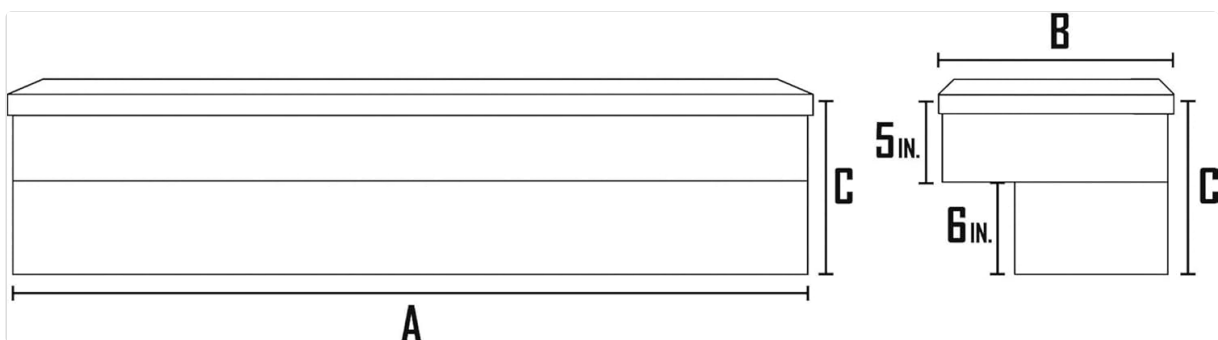


Image 4.2: Detailed line drawing showing overall length (A), width (B), and height (C) measurements, including the 5-inch lid height and 6-inch body height.

5. OPERATING INSTRUCTIONS

The tool box features a secure pull handle latch and gas shocks for convenient access.

- **Opening the Lid:** Insert the key into the lock cylinder and turn to unlock. Pull the handle outwards to disengage the latch. The premium gas shocks will assist in lifting and holding the lid open.
- **Closing the Lid:** Gently push the lid down until the latch mechanism engages securely. Ensure the

lid is fully closed and latched to maintain weather resistance and security.

- **Locking the Box:** After closing the lid, turn the key in the lock cylinder to the locked position and remove the key. This engages the 2-stage automotive-grade rotary latch for enhanced security.



Image 5.1: Close-up view of the secure pull handle latch and key mechanism.

ADDED STABILITY

PREMIUM SHOCKS HOLD THE LID OPEN FOR EASIER ACCESS



Image 5.2: The lid held open by a premium gas shock, providing easy access to the interior.

6. MAINTENANCE

Regular maintenance ensures the longevity and optimal performance of your tool box.

- **Cleaning:** Clean the exterior and interior of the tool box periodically with a mild soap and water solution. Rinse thoroughly and dry to prevent water spots. Avoid abrasive cleaners that could damage the matte black finish.
- **Lid Seal Inspection:** Regularly inspect the weather-resistant seal around the lid for any signs of wear, cracks, or damage. A compromised seal can allow dirt and moisture to enter the box. Replace if necessary.
- **Latch Lubrication:** Apply a small amount of silicone-based lubricant to the latch mechanism and hinges annually, or as needed, to ensure smooth operation and prevent corrosion.
- **Hardware Check:** Periodically check all mounting hardware and fasteners for tightness. Retighten if any looseness is detected.

WEATHER RESISTANT

LID SEAL LOCKS OUT
DIRT + MOISTURE



Image 6.1: Detail of the weather-resistant seal designed to protect contents from dirt and moisture.

DURABLE CLOSURE

REINFORCED METAL LID BRACE
ADDS STRENGTH + DURABILITY



Image 6.2: The reinforced metal lid brace, contributing to the box's strength and durability.

7. TROUBLESHOOTING

Refer to this section for solutions to common issues.

- **Lid is difficult to open or close:**
 - Check for obstructions around the lid or latch mechanism.
 - Lubricate the latch and hinges as described in the Maintenance section.
 - Ensure the tool box is not overloaded, causing the lid to bind.
- **Lid does not stay open:**
 - Inspect the gas shocks for damage or wear. If they are no longer holding the lid, they may need replacement.
- **Water or dust inside the box:**
 - Inspect the weather-resistant seal around the lid for damage or improper seating. Ensure the lid is fully closed and latched.
- **Tool box feels loose or unstable:**

- Check all mounting hardware and support legs. Retighten any loose fasteners.
- Ensure support legs are properly extended and resting on the truck bed floor.

8. SPECIFICATIONS

Feature	Specification
Model Number	36212761
Material	Heavy-duty diamond treadplate aluminum
Color	Matte Black
Product Dimensions (L x W x H)	48 in. x 11.5 in. x 11 in.
Item Weight	22.4 lbs
Closure Type	Pull Handle Latch (2-stage automotive-grade rotary latch)
Water Resistance Level	Water Resistant (weather-resistant seal)
Special Features	Premium shocks, reinforced metal lid brace, support legs

BUILT TO LAST

HEAVY-DUTY RUST-RESISTANT
ALUMINUM BODY WITH TEXTURED
MATTE BLACK FINISH



Image 8.1: The tool box, emphasizing its heavy-duty, rust-resistant aluminum body with a textured matte black finish.

9. WARRANTY AND SUPPORT

Northern Tool+Equipment products are manufactured to high-quality standards. For specific warranty details, please refer to the warranty card included with your purchase or visit the official Northern Tool+Equipment website. For technical support, replacement parts, or further assistance, please contact Northern Tool+Equipment customer service directly.

Contact Information: Refer to your purchase documentation or the manufacturer's official website for the most current contact details.