



Manuals.plus /

› HERMEX /

› Hermex CEPO-31R Door Knob Instruction Manual

HERMEX CEPO-31R

Hermex CEPO-31R Door Knob Instruction Manual

Model: CEPO-31R | Brand: HERMEX

1. PRODUCT OVERVIEW

The Hermex CEPO-31R is a durable spherical door knob designed for bedroom applications, featuring a matte chrome finish and a robust cylindrical mechanism. It offers reliable security with a solid brass cylinder and a convenient button-activated privacy function.

Key Features

- Cylindrical mechanism with solid brass cylinder.
- Bolt with emergency button on the exterior and security button on the interior.
- Brass knobs and escutcheon with matte chrome finish.
- Suitable for doors 1-1/4" to 1-3/4" (32 to 45 mm) thick.
- Bedroom function (privacy), tested for 400,000 cycles (opening and closing), nickel-plated steel keys.



A complete view of the Hermex CEPO-31R door knob assembly, showcasing its matte chrome finish and spherical design.

Your browser does not support the video tag.

This video provides a detailed close-up view of the Hermex CEPO-31R door knob, highlighting its components and finish.

2. COMPONENTS

The Hermex CEPO-31R door knob consists of several key components designed for secure and reliable operation. Familiarize yourself with these parts before installation.



An exploded view of the door knob's cylindrical mechanism, showing the metallic latch and solid brass cylinder.

Mecanismo cilíndrico



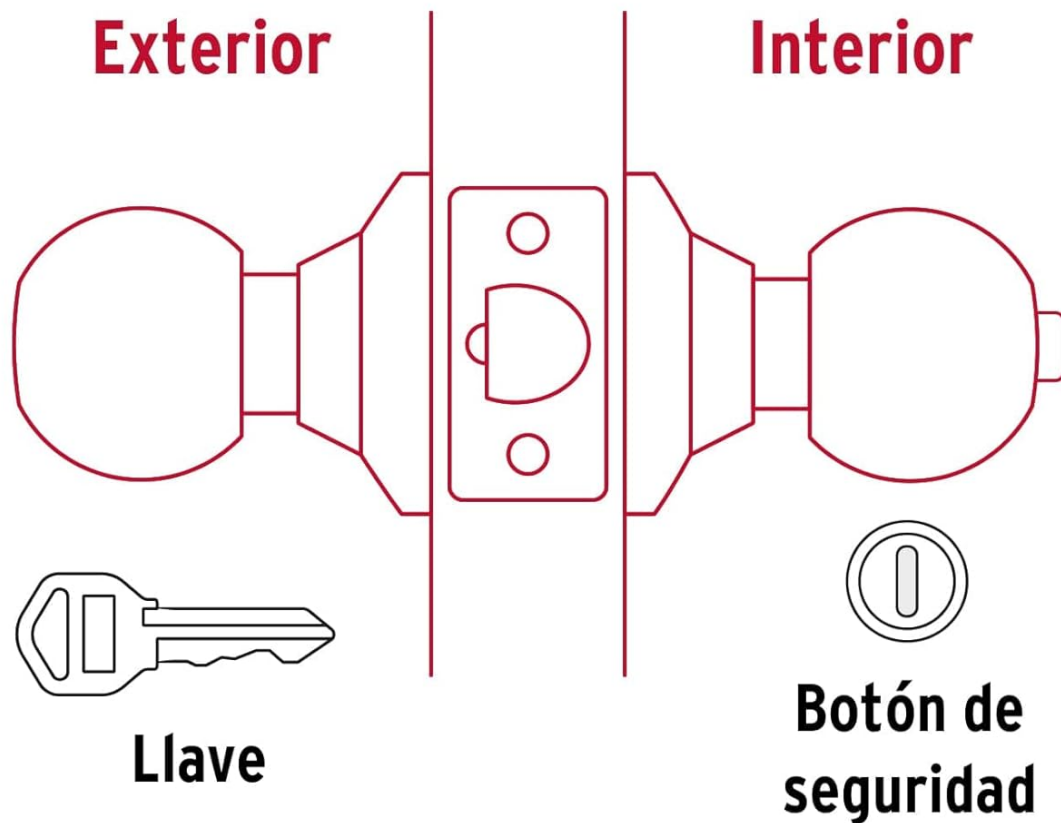
Picaporte metálico

Cilindro de latón sólido

A diagram illustrating the bedroom function, showing the exterior keyhole and interior security button, and how turning either knob retracts the latch.

Recámara

El giro de cualquier perilla retrae el picaporte.
La perilla exterior queda fija al presionar el botón de la perilla interior. El botón de seguridad queda libre al girar la perilla interior o al abrir con llave.



An illustration of the traditional flat key used with the Hermex CEPO-31R door knob, featuring notches on the upper side for combination decoding.

3. SETUP AND INSTALLATION

This section provides general guidelines for installing your Hermex CEPO-31R door knob. For detailed steps, refer to the included installation template and hardware.

Before You Begin

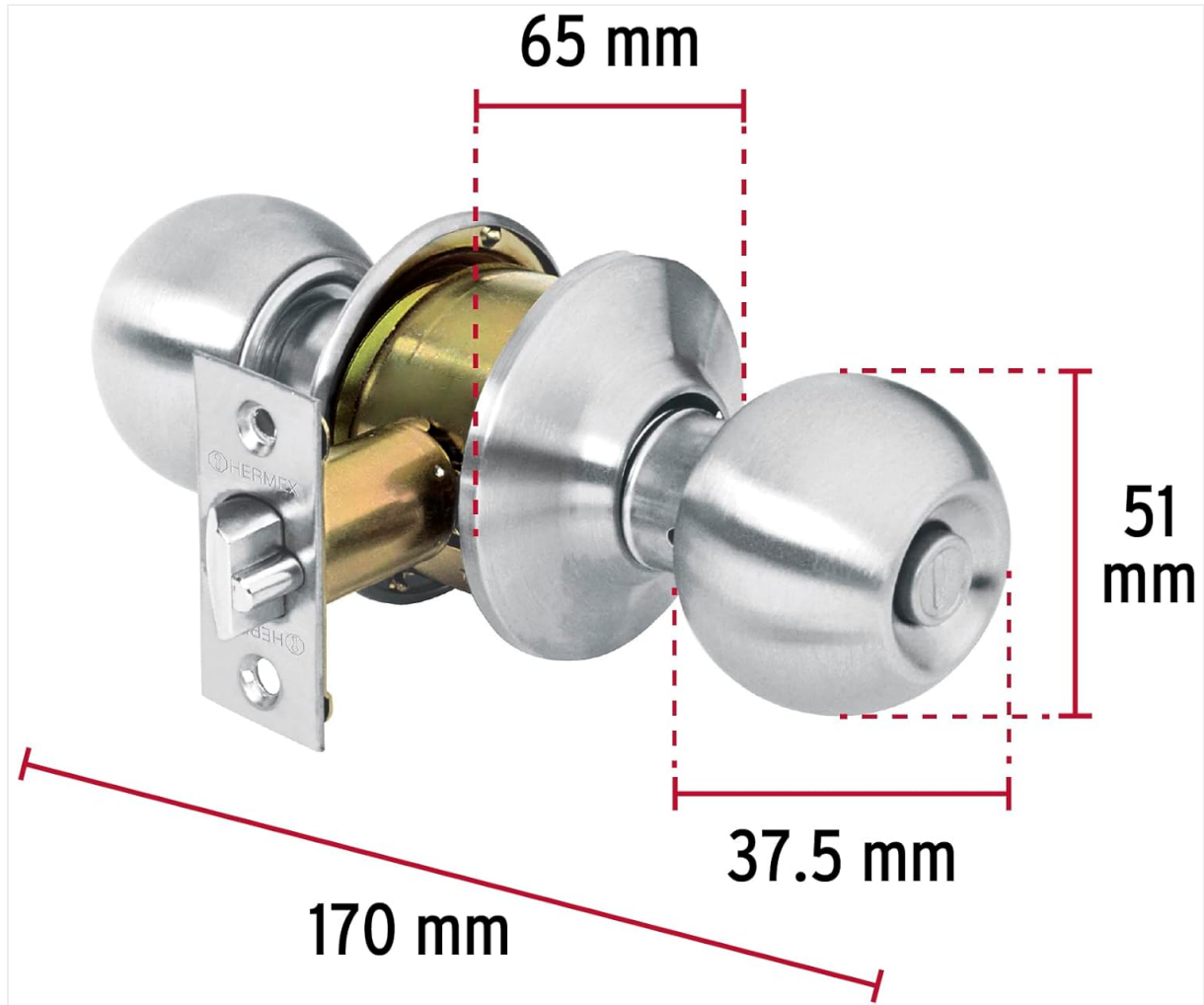
- Ensure your door thickness is between 1-1/4" and 1-3/4" (32 to 45 mm).
- Gather necessary tools: screwdriver, measuring tape, drill (if creating new holes).

Installation Steps (General)

1. **Prepare the door:** Mark and drill holes according to the template for the latch and the main knob assembly.
2. **Install the latch:** Insert the metallic latch into the door edge and secure it with screws. Ensure the latch bolt

faces the correct direction for door swing.

3. **Assemble the exterior knob:** Insert the exterior knob assembly through the main hole, ensuring the spindle aligns with the latch mechanism.
4. **Install the interior knob:** Attach the interior knob assembly, aligning it with the exterior knob and latch. Secure with mounting screws.
5. **Test operation:** Check that both knobs turn smoothly and retract the latch. Test the interior security button and the exterior key function.



A diagram showing the key dimensions of the Hermex CEPO-31R door knob, including overall length (170 mm), knob diameter (51 mm), and backset (65 mm).

Your browser does not support the video tag.

This unboxing video demonstrates the components included with the Hermex CEPO-31R door knob, which can be helpful for identifying parts before installation.

4. OPERATING INSTRUCTIONS

Locking and Unlocking from the Interior

To lock the door from the interior, press the security button located on the center of the interior knob. To unlock, simply turn the interior knob or use the key from the exterior.

Locking and Unlocking from the Exterior

The exterior knob remains fixed when the interior security button is engaged. To unlock from the exterior, insert

the provided key into the keyhole and turn it.

Emergency Unlocking

In case of emergency, the exterior knob features an emergency release mechanism. This allows the door to be unlocked from the outside without a key, typically using a small tool or coin, by engaging the emergency button.

5. MAINTENANCE

To ensure the longevity and smooth operation of your Hermex CEPO-31R door knob, follow these simple maintenance tips:

- **Cleaning:** Wipe the matte chrome finish with a soft, damp cloth. Avoid abrasive cleaners or harsh chemicals, as these can damage the finish.
- **Lubrication:** Periodically apply a small amount of graphite lubricant or a silicone-based spray to the latch mechanism and cylinder to maintain smooth operation. Do not use oil-based lubricants, as they can attract dust and debris.
- **Screw Tightness:** Check and tighten all mounting screws periodically to ensure the knob remains securely attached to the door.
- **Key Care:** Keep keys clean and free of debris. Avoid using bent or damaged keys, as they can damage the cylinder.

6. TROUBLESHOOTING

If you encounter issues with your Hermex CEPO-31R door knob, consult the following common problems and solutions:

Knob is loose

Solution: Tighten the mounting screws located on the interior side of the door knob. If the screws are stripped, they may need to be replaced.

Latch does not retract smoothly

Solution: Apply a graphite lubricant to the latch mechanism. Check for any obstructions in the door frame or strike plate. Ensure the door is properly aligned.

Key is difficult to turn or gets stuck

Solution: Apply graphite lubricant to the keyhole. Ensure the key is fully inserted and is not bent or damaged. If the issue persists, the cylinder may need professional inspection or replacement.

Door does not latch properly

Solution: Check the alignment of the strike plate on the door frame. Adjust the strike plate if necessary to ensure the latch bolt fully engages.

7. SPECIFICATIONS

Feature	Detail
Manufacturer	Truper SA de CV
Part Number	43464
Color	Matte Chrome
Style	Bedroom
Material	Metal
Item Package Quantity	1
Number of Pieces	1
Special Features	Cut resistant
Batteries Required?	No
Length	4 inches (10.16 cm)
Width	2 inches (5.08 cm)
Height	2 inches (5.08 cm)
Product Dimensions	10.16 x 5.08 x 5.08 cm; 612.35 g
Product Model Number	43464
ASIN	B012BD7DCG
First Available Date	July 22, 2015
Lock Type	Keyed Lock

8. WARRANTY AND SUPPORT

Warranty Information

This Hermex product is manufactured by Truper SA de CV and is designed for durability and performance. For specific warranty terms and conditions, please refer to the documentation included with your purchase or contact Hermex customer service.

Customer Support

If you require further assistance, have questions about installation, or need to report a defect, please contact Hermex customer support. Contact details can typically be found on the product packaging or the official Hermex website. Please have your product model (CEPO-31R) and part number (43464) ready when contacting support.