



Manuals.plus /

- › **Bosch** /
- › Bosch Professional Power Change Plus Starter Kit User Manual

Bosch 2608599010

Bosch Professional Power Change Plus Starter Kit User Manual

Model: 2608599010

INTRODUCTION

This manual provides essential information for the safe and effective use of the Bosch Professional Power Change Plus Starter Kit. This kit is designed to upgrade standard hole saws with threaded mounts to the Bosch Power Change Plus system, enabling quick and tool-free core removal.

The system is compatible with all cordless or corded screwdrivers and allows the use of Bosch's quick-change holder with hole saws from various manufacturers.



Figure 1: Bosch Power Change Plus Starter Kit components. Includes the Power Change Plus adapter, two adapter sockets for different hole saw sizes, and a HSS-G centering drill bit.

PACKAGE CONTENTS

The Bosch Professional Power Change Plus Starter Kit includes the following components:

- 1 x Adapter Socket for hole saws \varnothing 14–30 mm (1/2"-20UNF thread)
- 1 x Adapter Socket for hole saws \varnothing 32–210 mm (5/8"-18UNF thread)
- 1 x Power Change Plus Adapter with 11 mm hex shank
- 1 x HSS-G 85 mm Centering Drill Bit (for hole saws with cutting depth <44 mm)





Figure 2: The Bosch Power Change Plus Starter Kit as packaged for retail, showing all included components.

SETUP AND ASSEMBLY

Follow these steps to assemble the Power Change Plus system with your hole saw:

- Select the Correct Adapter Socket:** Choose the adapter socket that matches the thread size of your hole saw. Use the \varnothing 14–30 mm socket for smaller hole saws (1/2"-20UNF thread) and the \varnothing 32–210 mm socket for larger hole saws (5/8"-18UNF thread).
- Attach Adapter Socket to Hole Saw:** Screw the selected adapter socket firmly onto the threaded base of your hole saw. Ensure it is tightened securely.
- Insert Centering Drill Bit:** Insert the HSS-G centering drill bit into the Power Change Plus Adapter. The drill bit should slide into the central opening.
- Connect Adapter to Hole Saw Assembly:** Align the Power Change Plus Adapter (with the centering drill bit inserted) with the adapter socket attached to the hole saw. Push the adapter into the socket until it clicks securely into place.
- Mount to Drill/Screwdriver:** Insert the 11 mm hex shank of the assembled Power Change Plus system into the chuck of your cordless or corded drill/screwdriver. Tighten the chuck firmly to secure the assembly.



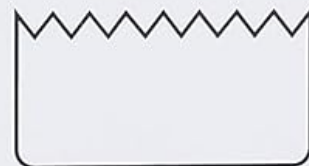
50–70 Nm



\varnothing 14–30 mm
9/16–1 3/16"



\varnothing 32–152 mm
1 1/4–6"



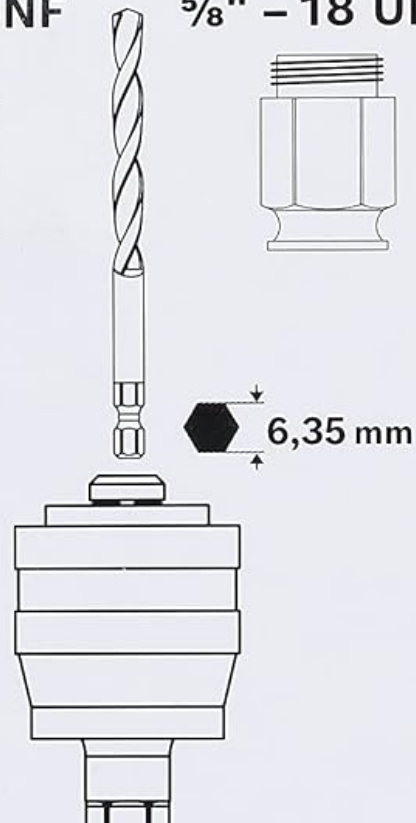
1/2" – 20 UNF



5/8" – 18 UNF



| | |
|-----------|--|
| 25 mm | |
| 45 mm | |
| 60 mm | |



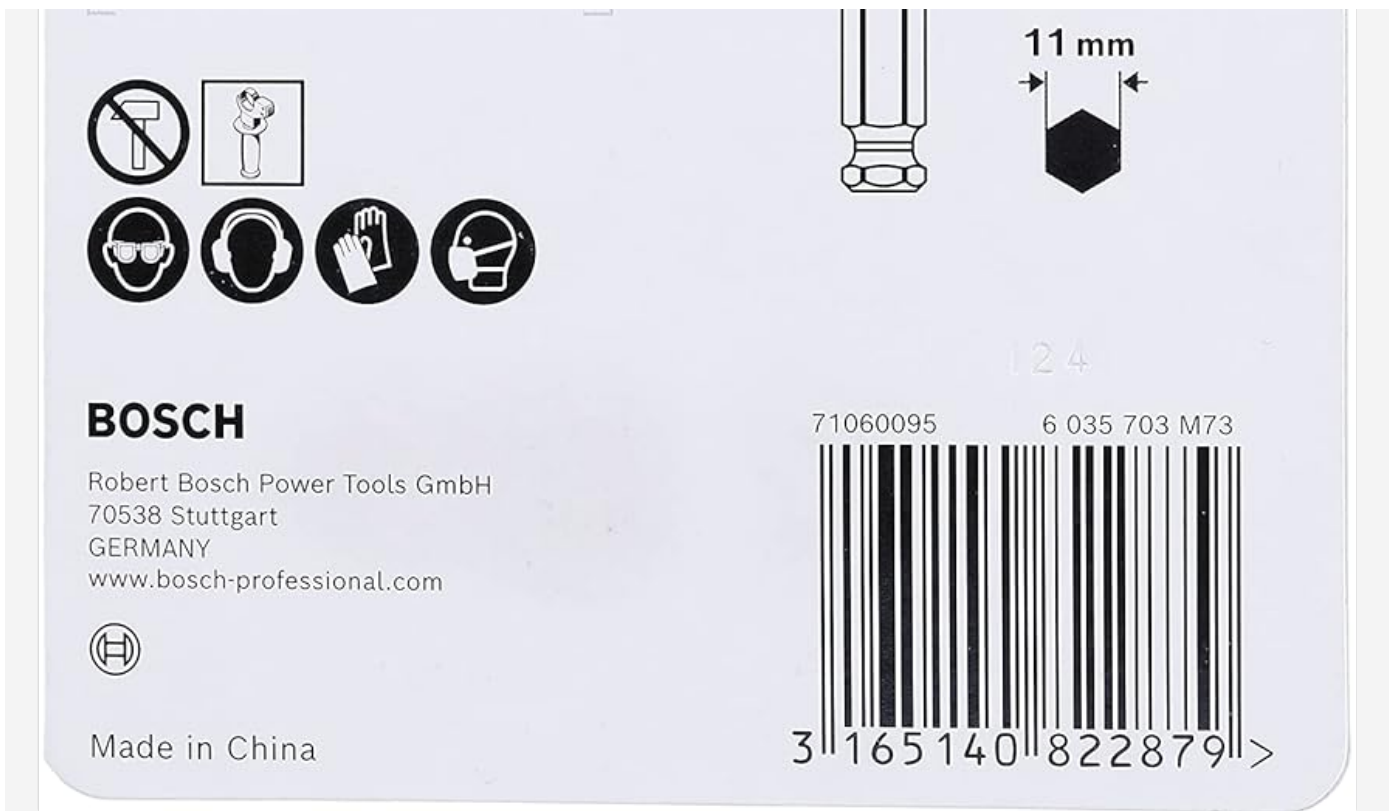


Figure 3: Back of the product packaging illustrating the assembly process and compatibility with different hole saw sizes and thread types.

OPERATING INSTRUCTIONS

The Bosch Power Change Plus system simplifies hole drilling and core removal. Follow these guidelines for optimal performance:

Drilling Operation:

- Ensure the hole saw assembly is securely mounted in your drill/screwdriver.
- Position the centering drill bit at the desired drilling location.
- Begin drilling at a low speed, gradually increasing as the hole saw engages the material.
- Apply steady, even pressure. Do not force the tool.
- The system is suitable for drilling in wood, drywall, plastic, metal, light metals, and stainless steel.

Core Removal (Tool-Free):

One of the key advantages of the Power Change Plus system is the quick and tool-free core removal:

1. **Release:** After completing the cut, pull back the blue collar on the Power Change Plus Adapter. This disengages the locking mechanism.
2. **Angle:** While holding the collar back, slightly angle the hole saw assembly.
3. **Push Out:** Push the hole saw forward. The core will be ejected from the hole saw, allowing for immediate reuse without needing additional tools.



Figure 4: The Power Change Plus system offers universal brand fit and can increase drilling speed by up to 5 times.

MAINTENANCE

Proper maintenance ensures the longevity and performance of your Bosch Power Change Plus Starter Kit:

- **Cleaning:** After each use, clean the adapter, sockets, and drill bit to remove dust, debris, and material residue. Use a dry cloth or a soft brush. Avoid using harsh chemicals or abrasive materials.
- **Inspection:** Regularly inspect all components for signs of wear, damage, or deformation. Pay close attention to the threads on the adapter sockets and the sharpness of the centering drill bit.
- **Lubrication:** A light application of machine oil to the moving parts of the Power Change Plus Adapter (e.g., the collar mechanism) can help maintain smooth operation.
- **Storage:** Store the kit in a clean, dry place, away from direct sunlight and extreme temperatures. The original packaging or a dedicated tool case is recommended to protect the components.
- **Centering Drill Bit Replacement:** The HSS-G centering drill bit is a consumable item. Replace it when it becomes dull or damaged to ensure accurate and efficient drilling. Bosch offers replacement drill bits.

TROUBLESHOOTING

This section addresses common issues you might encounter:

| Problem | Possible Cause | Solution |
|---|--|---|
| Hole saw not attaching securely to adapter socket. | Incorrect adapter socket size; damaged threads on hole saw or socket. | Ensure you are using the correct adapter socket for your hole saw's thread size. Inspect threads for damage; replace if necessary. |
| Power Change Plus Adapter not clicking into socket. | Debris in socket; locking mechanism obstructed; adapter not fully aligned. | Clean the inside of the adapter socket. Ensure the adapter is fully inserted and aligned before attempting to click it into place. |
| Difficulty removing core after drilling. | Locking collar not fully retracted; core stuck due to material type or excessive heat. | Ensure the blue collar is fully pulled back. For stubborn cores, try rotating the hole saw slightly while pushing. Ensure proper drilling speed to avoid overheating. |
| Centering drill bit not drilling effectively. | Dull or damaged drill bit; incorrect drill speed. | Replace the HSS-G centering drill bit. Adjust drill speed according to the material being drilled. |

SPECIFICATIONS

| Feature | Detail |
|----------------------------|---|
| Model Number | 2608599010 |
| Brand | Bosch Professional |
| Product Dimensions (LxWxH) | 17 x 10 x 3.5 cm (6.7 x 3.9 x 1.4 inches) |
| Weight | 228 g (0.5 lbs) |
| Included Components | 1x Adapter Socket (Ø 14–30 mm, 1/2"-20UNF), 1x Adapter Socket (Ø 32–210 mm, 5/8"-18UNF), 1x Power Change Plus Adapter (11 mm hex shank), 1x HSS-G 85 mm Centering Drill Bit |
| Compatibility | Standard hole saws with threaded mounts (1/2"-20UNF, 5/8"-18UNF), all cordless or corded screwdrivers. |
| Application Materials | Wood, drywall, plastic, metal, light metals, stainless steel. |
| Batteries Required | No |
| GTIN | 03165140822879 |

WARRANTY AND SUPPORT

For detailed warranty information and customer support, please refer to the official Bosch Professional website or contact your local Bosch dealer. Keep your purchase receipt as proof of purchase.

You can find more information and contact details on the [Bosch Professional website](#).

