

## SunSun CPF-2500

# SUN CPF-2500 Grech Pond Bio Pressure Filter User Manual

Model: CPF-2500 (50978) | Brand: SunSun

## 1. PRODUCT OVERVIEW

The SunSun CPF-2500 Grech Pond Bio Pressure Filter is designed to provide efficient biological and mechanical filtration for your pond, ensuring clear and healthy water. It features an integrated UV-C clarifier to combat algae and harmful pathogens, along with a convenient cleaning system for easy maintenance.

### Key Features:

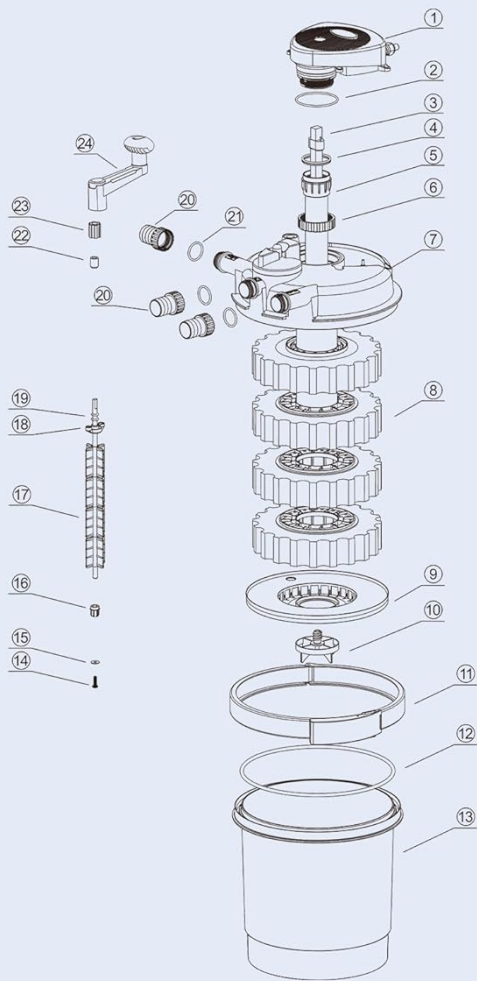
- Biological and mechanical filter chambers for more efficient removal of dissolved and solid waste.
- Simple quick handle cleaning system for easy maintenance (no need to open and clean foams all the time).
- Enables rapid growth of aerobic bacteria resulting in removal of lethal ammonia and nitrite.
- Able to cope with higher water flows compared to traditional gravity filters.
- Complete with inlet and outlet hose adapters. Outlet/Inlet hose adapter 3/4 inches~5/4 inches.



The SunSun CPF-2500 Grech Pond Bio Pressure Filter, a compact and efficient filtration unit.

## 2. COMPONENTS AND STRUCTURE

The filter unit consists of several key components working together to ensure optimal water quality.



## CPF-2500

1	UV-C-Anschlusseinheit	13	Behälter
2	O-Ring 1	14	Schraube
3	UV-C-Lampe	15	Unterlegscheibe
4	O-Ring 2	16	Lager 1
5	Quarzglas-Hülse	17	Reinigungsmechanismus
6	Befestigungsmutter	18	Lager 2
7	Deckel	19	O-Ring 4
8	Schwämme	20	Einlass und Auslass
9	Schwammplatte	21	O-Ring 5
10	Schwammfixierung	22	Lager 3
11	Klemme	23	Steckverbinder
12	O-Ring 3	24	Kurbel

Exploded view of the CPF-2500 filter, showing its internal components for assembly and maintenance.

### Key Components (referencing exploded view):

- UV-C Connection Unit
- O-Rings (various sizes for sealing)
- UV-C Lamp (13W)
- Quartz Glass Sleeve
- Fastening Nut
- Lid
- Sponges (coarse and fine for mechanical filtration)
- Sponge Plate
- Sponge Fixing
- Clamp
- Container
- Screw

- Washer
- Bearing
- Cleaning Mechanism
- Inlet and Outlet Adapters
- Crank (for cleaning)

## Abmessungen des Produkts



Dimensions of the CPF-2500 filter: approximately 471mm (height) x 312mm (diameter). Capacity: 16 liters. Includes adapters for 20mm, 25mm, and 32mm hoses.

### 3. SETUP

Proper setup is crucial for the efficient operation of your pond filter. Follow these steps carefully:

1. **Placement:** Position the filter on a stable, level surface near your pond. Ensure it is easily accessible for maintenance but also discreetly placed if desired. The unit is designed to be partially buried if needed, but ensure

the lid remains above ground for access.

- Hose Connections:** Connect your pond pump's outlet hose to the filter's inlet adapter. Use the appropriate size adapter (3/4", 1 1/4" are common, check included adapters for exact fit). Secure connections with hose clamps to prevent leaks. Connect the filter's outlet to your desired water return point in the pond (e.g., waterfall, stream, or direct return).
- Electrical Connection:** Ensure the filter's power cable is routed safely and connected to a GFCI (Ground Fault Circuit Interrupter) protected outdoor electrical outlet. Do not plug in the unit until all water connections are secure and the filter is filled with water.
- Initial Fill:** Allow the filter to fill with pond water before starting the pump. This prevents airlocks and ensures proper operation.



The CPF-2500 filter installed next to a pond, demonstrating typical placement.

## 4. OPERATING INSTRUCTIONS

Once properly set up, operating the CPF-2500 is straightforward.

1. **Starting the Filter:** After ensuring the filter is filled with water and all connections are secure, plug in your pond pump. Water will begin to flow through the filter. The UV-C lamp will automatically activate once power is supplied to the filter unit.
2. **Monitoring Performance:** Regularly observe the clarity of your pond water. The integrated UV-C clarifier works to reduce green algae and harmful bacteria, contributing to crystal clear water.



# Effektive und leistungsstarke UV-C-Klärung

 Reduziert schädliche Bakterien  
und Krankheitserreger

 Entfernt effektiv frei  
schwebende Algen

 UV-C-Leistung  
**11 W**

The effective and powerful UV-C clarification process, reducing harmful bacteria and effectively removing free-floating algae.

## 5. MAINTENANCE

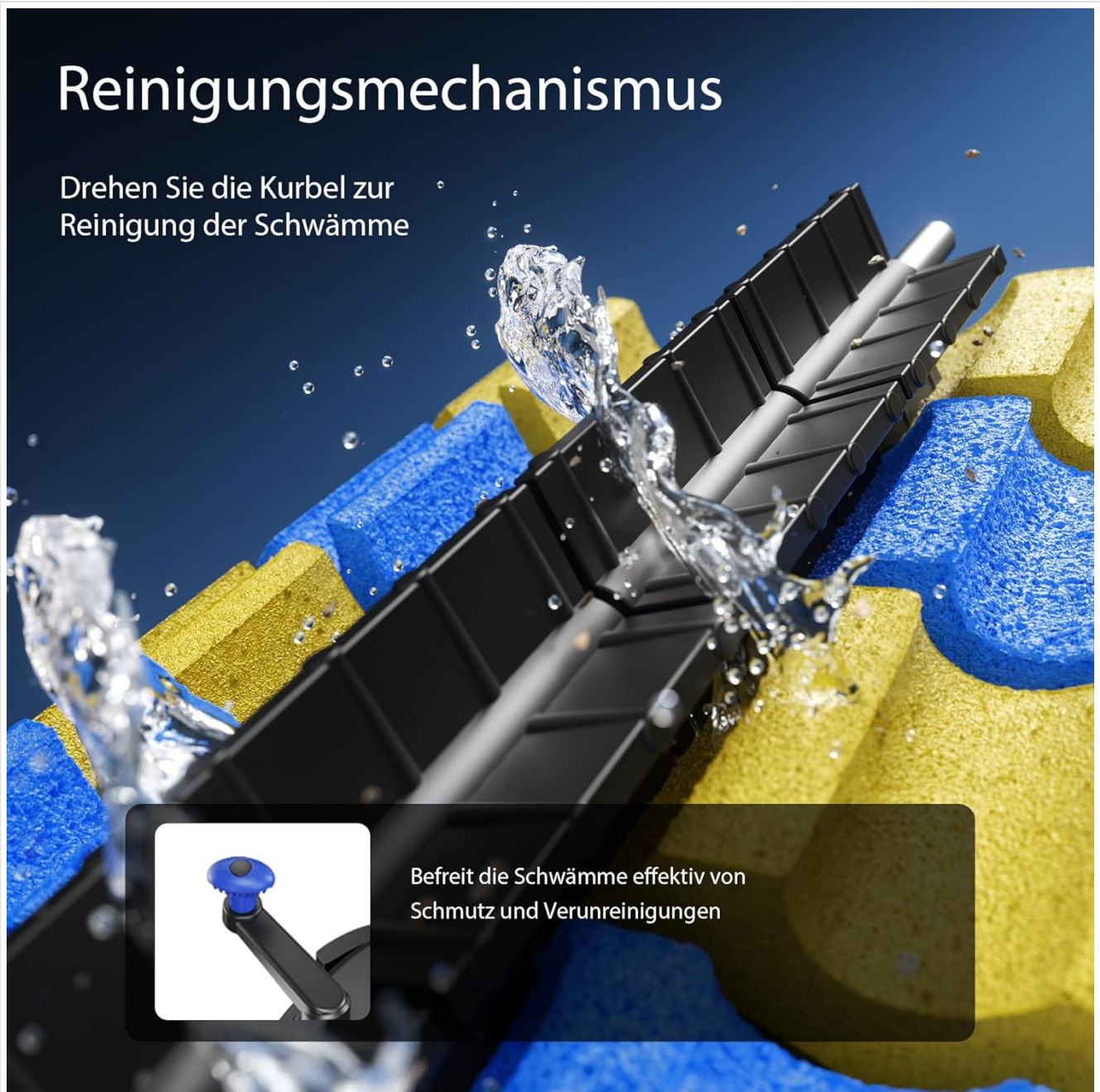
Regular maintenance ensures the longevity and efficiency of your CPF-2500 filter.

### 5.1. Quick Cleaning System

The CPF-2500 features a patented quick cleaning system for the filter sponges, eliminating the need to open the unit

frequently.

1. **Activate Cleaning Mode:** Turn the flow control knob to redirect water inside the filter to the waste outlet.
2. **Crank Cleaning:** Rotate the crank handle on top of the filter. This mechanism agitates the filter sponges, dislodging accumulated dirt and debris.
3. **Waste Discharge:** Dirty water will be discharged from the waste outlet. You can direct this water to a garden bed or drain. Continue cranking until the discharged water runs clear.
4. **Return to Filtration:** Once cleaning is complete, return the flow control knob to the normal filtration position.



The cleaning mechanism, showing how turning the crank effectively frees sponges from dirt and impurities.

## 5.2. UV-C Lamp and Quartz Sleeve Maintenance

The UV-C lamp has a limited lifespan and its effectiveness diminishes over time. It is recommended to replace the UV-C lamp annually, typically in spring before the pond season begins. The quartz sleeve should be cleaned periodically to ensure maximum UV-C light penetration.

- **Replacement:** Disconnect power to the unit. Carefully open the filter lid and access the UV-C lamp and quartz sleeve assembly. Follow the specific instructions in the full manual for safe removal and replacement.

- **Cleaning:** Gently clean the quartz sleeve with a soft cloth and warm water to remove any mineral deposits or algae buildup.

### 5.3. Filter Sponge Replacement

While the quick cleaning system extends the life of the sponges, they will eventually need replacement. The filter contains both coarse (blue) and fine (yellow) sponges for comprehensive mechanical filtration.

**8 m<sup>2</sup>**  
**Filterschwamm-Oberfläche**  
 4 Schwämme für die mechanische Filtration  
 Für sauberes Wasser

**Grobe Schwämme**  
 Filtration größerer Verunreinigungen

**Feine Schwämme**  
 Filtration kleinerer Verunreinigungen

The filter sponges provide 8m<sup>2</sup> of surface area for mechanical filtration, with coarse sponges for larger impurities and fine sponges for smaller impurities.

## 6. TROUBLESHOOTING

Here are some common issues and their potential solutions:

Problem	Possible Cause	Solution
---------	----------------	----------

Problem	Possible Cause	Solution
Water not clear / Green water	Clogged filter sponges, old UV-C lamp, insufficient flow rate, oversized pond for filter.	Perform quick cleaning. Replace UV-C lamp. Check pump for blockages. Ensure filter is appropriately sized for your pond volume.
Water leaking from filter	Improperly sealed lid, damaged O-rings, loose hose connections.	Ensure lid is securely clamped. Inspect and replace damaged O-rings. Tighten all hose connections with clamps.
No water flow	Pump not working, blocked hoses, airlock in filter.	Check pump power and operation. Clear any blockages in hoses. Ensure filter is fully primed with water.

## 7. SPECIFICATIONS

Specification	Value
Brand	SunSun
Model	CPF-2500 (50978)
Maximum Output	Approx. 1600 GPH
Inlet / Outlet Hose Adapter	3/4", 1 1/4" (also 20mm, 25mm, 32mm)
Dimensions (L x W x H)	12"L x 16"W x 12"H (approx. 30.5cm L x 40.6cm W x 30.5cm H)
Voltage	110-120V 60Hz (Note: Product specifications also list 240 Volts, please verify with product label)
UV-C Lamp Power	13W (as per title) / 11W (as per image) - please verify with product label
Suitable for Ponds (Small Mix of Fish/Koi)	Up to approx. 900 Gallons
Suitable for Decorative Ponds	Up to approx. 1600 Gallons
Item Weight	9.68 pounds (4.4 Kilograms)
Material	Stainless Steel (internal components), Plastic (housing)
GTIN	06955974901003 (from specifications) / 4250390872053 (from box images)

## 8. SAFETY INFORMATION

Always observe basic safety precautions when using electrical appliances, especially near water.

- Ensure the power supply is disconnected before performing any maintenance or cleaning.
- Do not operate the UV-C lamp outside of the filter unit or when exposed to direct view, as UV-C radiation can be

harmful to eyes and skin.

- Use only original replacement parts for optimal performance and safety.
- Protect the power cord from damage and ensure it is not a tripping hazard.
- This appliance is not intended for use by persons (including children) with reduced physical, sensory or mental capabilities, or lack of experience and knowledge, unless they have been given supervision or instruction concerning use of the appliance by a person responsible for their safety.

## **9. WARRANTY AND SUPPORT**

Information regarding specific warranty terms and customer support contacts was not available in the provided product data. Please refer to the product packaging or the manufacturer's official website for the most up-to-date warranty information and support channels.