

Manuals.plus /

› South Shore /

› South Shore Tao 6-Drawer Double Dresser (Model 9025010) Instruction Manual

South Shore 9025010

South Shore Tao 6-Drawer Double Dresser Instruction Manual

Model: 9025010

1. PRODUCT OVERVIEW

This manual provides detailed instructions for the assembly, operation, and maintenance of your South Shore Tao 6-Drawer Double Dresser. Designed for bedroom use, this dresser features six spacious drawers and a Grey Oak finish with wooden handles.



Image 1.1: The South Shore Tao 6-Drawer Double Dresser in Grey Oak.



Image 1.2: The dresser integrated into a modern bedroom environment.

2. SAFETY INFORMATION

To ensure safe use of your dresser, please adhere to the following guidelines:

- **Wall Anchor Kit:** A wall anchor kit is included to prevent tip-over incidents. It is crucial to install this kit according to the assembly instructions to secure the dresser to a wall.
- **Assembly:** Assembly requires two adults. Do not attempt to assemble alone.
- **Weight Distribution:** Distribute weight evenly across drawers. Avoid placing excessively heavy items in upper drawers to maintain stability.
- **Children:** Do not allow children to climb on or play with the dresser drawers.

3. ASSEMBLY INSTRUCTIONS

This product requires complete assembly by two adults. Tools are not included. Please ensure all parts are present before beginning assembly.

3.1 Unpacking and Preparation

- Carefully unpack all components and hardware.
- Verify all parts against the included parts list in your packaging. Contact South Shore support immediately if any parts are missing or damaged.
- Assemble on a soft, clean surface (e.g., a rug or blanket) to prevent scratching.

3.2 Assembly Steps

Follow the step-by-step diagrams provided in your product packaging. General steps typically include:

1. Assemble the main frame of the dresser.
2. Install the drawer slides onto the dresser frame.
3. Assemble each of the six drawers, ensuring the bottoms are securely fitted.
4. Attach the wooden handles to the assembled drawers.
5. Insert the assembled drawers into the dresser frame.
6. Install the wall anchor kit to secure the dresser to a wall.

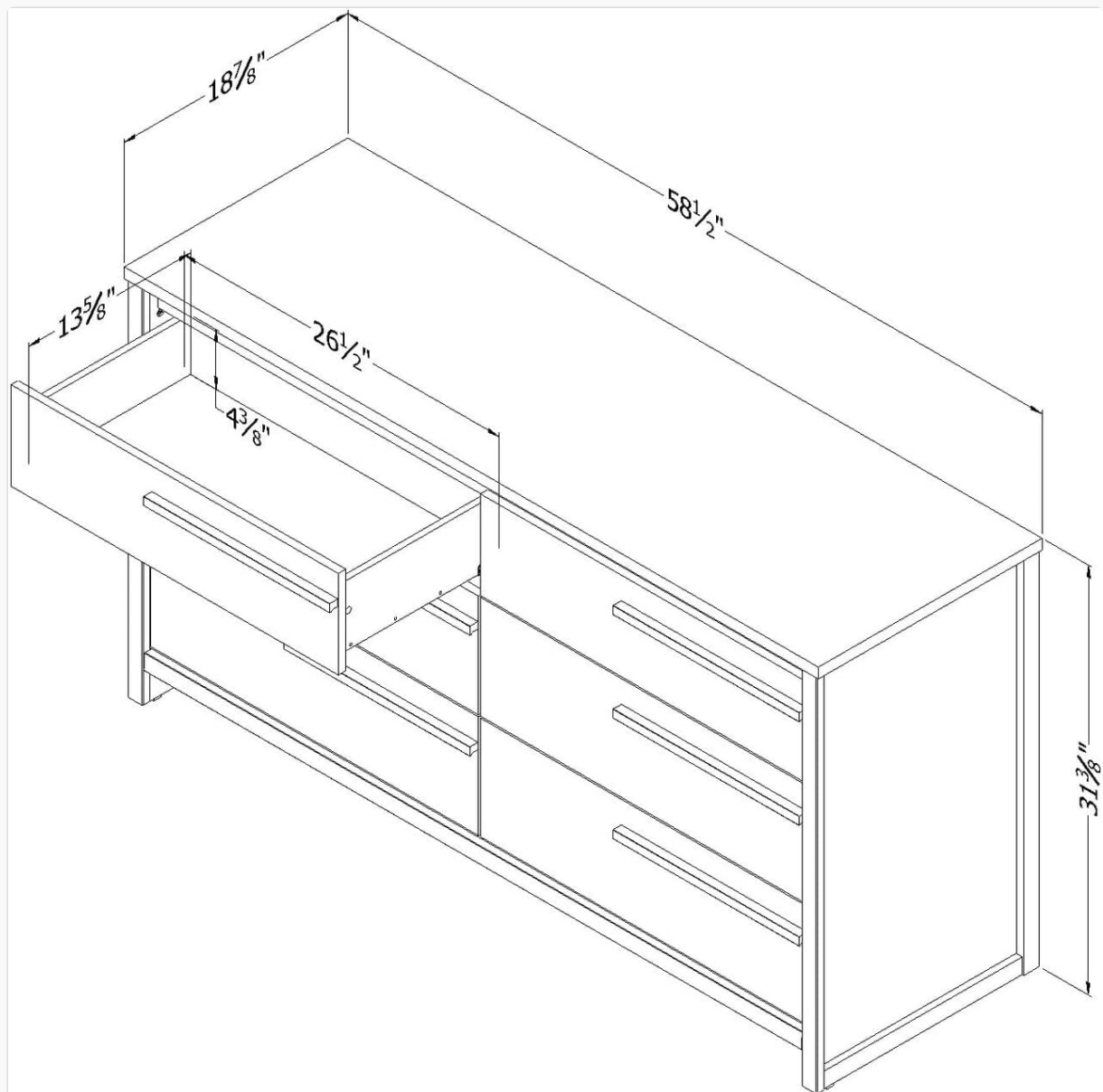


Image 3.1: Dimensional diagram of the dresser, illustrating overall size and drawer interior measurements.



Image 3.2: Detail of the Grey Oak finish and the integrated wooden handle.

4. OPERATING INSTRUCTIONS

The South Shore Tao dresser features six drawers with metal slides for smooth operation.

- **Opening/Closing Drawers:** Gently pull or push the wooden handles to open and close the drawers. Avoid excessive force.
- **Drawer Alignment:** If a drawer appears misaligned, ensure it is properly seated on its metal slides. Re-insert the drawer if necessary, making sure the rollers engage correctly.
- **Weight Capacity:** Do not overload drawers. Excessive weight can strain the drawer slides and compromise the dresser's stability.

5. MAINTENANCE AND CARE

To maintain the appearance and longevity of your dresser:

- **Cleaning:** Wipe the surface with a dry, soft cloth. Avoid abrasive cleaners or harsh chemicals, which can damage the laminated particleboard finish.
- **Spills:** Immediately wipe up any spills with a dry cloth to prevent moisture damage.

- **Sunlight:** Avoid prolonged exposure to direct sunlight, which can cause fading or discoloration.
- **Humidity:** Maintain a stable room temperature and humidity level to prevent warping or cracking of the wood material.



Image 5.1: Detailed view of the Grey Oak laminated particleboard finish.

6. TROUBLESHOOTING

If you encounter issues with your dresser, consider the following common solutions:

- **Damaged Parts Upon Arrival:** If parts are damaged during shipment, do not proceed with assembly. Contact South Shore customer support for replacement parts.
- **Difficulty Assembling:** Ensure you are following the assembly diagrams precisely. Verify that all hardware is correctly identified and used in the designated steps. Assembly is easier with two people.
- **Drawers Not Aligning/Wobbly:** Check that the metal drawer slides are securely attached to both the dresser frame and the drawers. Ensure the drawer rollers are properly seated within the slides. Re-adjust if necessary.
- **Drawers Falling Apart:** This often indicates that the drawer bottom or sides were not fully secured during assembly. Disassemble the problematic drawer and re-assemble, ensuring all fasteners are tightened and the drawer bottom is firmly seated in its grooves.

7. SPECIFICATIONS

Feature	Detail
Brand	South Shore
Model Name	Tao
Model Number	9025010
Color	Grey Oak
Product Dimensions	19"D x 58.5"W x 31.5"H (58 1/2 x 18 7/8 x 31 3/8 inches)
Item Weight	126 Pounds
Material	Laminated Particleboard
Finish Type	Wooden, Oak Finish
Number of Drawers	6
Assembly Required	Yes (by 2 adults)
Product Care Instructions	Wipe with Dry Cloth
UPC	066311060560

8. WARRANTY AND SUPPORT

Your South Shore Tao 6-Drawer Double Dresser is covered by a **5-year limited quality guarantee**.

For questions regarding this product, assistance with assembly, or to report missing/damaged parts, please do not hesitate to contact South Shore furniture support. They offer 7-day support.

For more information, visit the official South Shore website or refer to the contact details provided in your product packaging.