

## Manuals+

[Q & A](#) | [Deep Search](#) | [Upload](#)

[manuals.plus](#) /

- › [Dornbracht](#) /
- › [Dornbracht TARA ULTRA Kitchen Mixer User Manual](#)

### Dornbracht 33870875-00

# Dornbracht TARA ULTRA Kitchen Mixer User Manual

Model: 33870875-00

Brand: Dornbracht

## INTRODUCTION

This manual provides comprehensive instructions for the installation, operation, and maintenance of your Dornbracht TARA ULTRA Kitchen Mixer with pull-down sprayer function. Please read this manual carefully before installation and use to ensure proper function and longevity of your product. This single-lever mixer features a pull-down sprayer with both laminar and spray functions, a 360° swivel spout, and is designed for deck mount installation.

## PRODUCT SPECIFICATIONS

Feature	Detail
Brand	Dornbracht
Model Number	33870875-00
Finish Type	Polished Chrome
Material	Metal
Mounting Type	Deck Mount
Number of Handles	1
Hole Count	1
Projection	9-1/2 inches
Total Height	19-5/8 inches
Height to Aerator/Spout Outlet	9-1/2 inches

Feature	Detail
Hole Diameter	1-3/8 inches
Special Feature	Lead Free, Swivel Spout (360°), Laminar and Spray Function
Included Components	Sprayer, 2x 10 mm flexible supply lines (with 3/8" US adapters), 59" metal shower hose
Product Dimensions	3.74 x 31.89 x 15.16 inches
Item Weight	6.36 pounds (2.89 Kilograms)

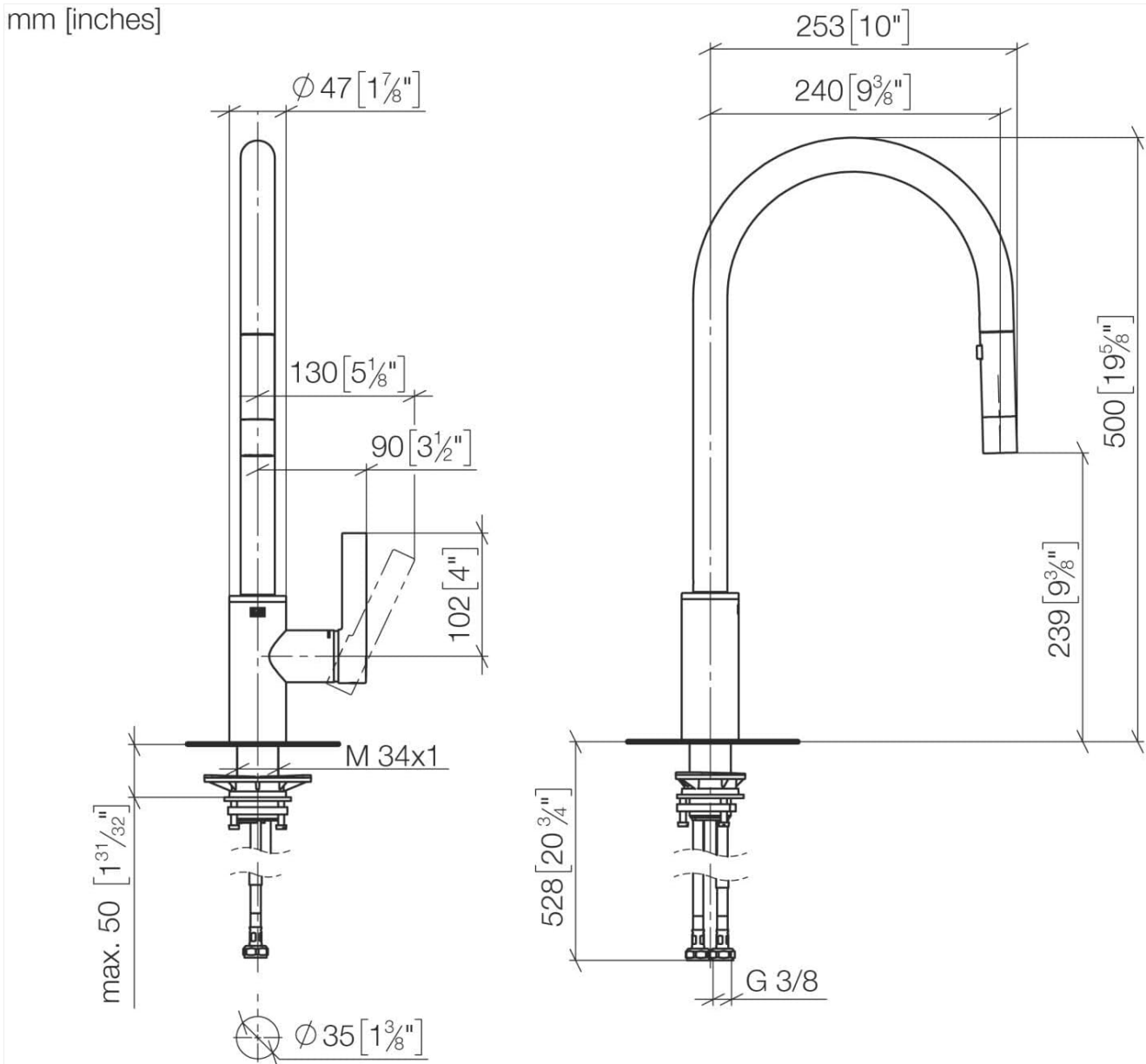


Figure 1: Technical drawing with detailed dimensions of the Dornbracht TARA ULTRA kitchen mixer. This diagram illustrates the height, projection, and installation hole requirements for the faucet.

## SETUP AND INSTALLATION

Proper installation is crucial for the optimal performance and longevity of your Dornbracht kitchen mixer. It is recommended that installation be performed by a qualified professional.

## Before You Begin:

- Ensure all necessary components are present as listed in the specifications. Refer to the exploded view diagram for component identification.
- Turn off the main water supply to the kitchen area.
- Clear the installation area under the sink.
- Verify that the sink or countertop has a 1-3/8 inch (35 mm) diameter hole for faucet mounting.

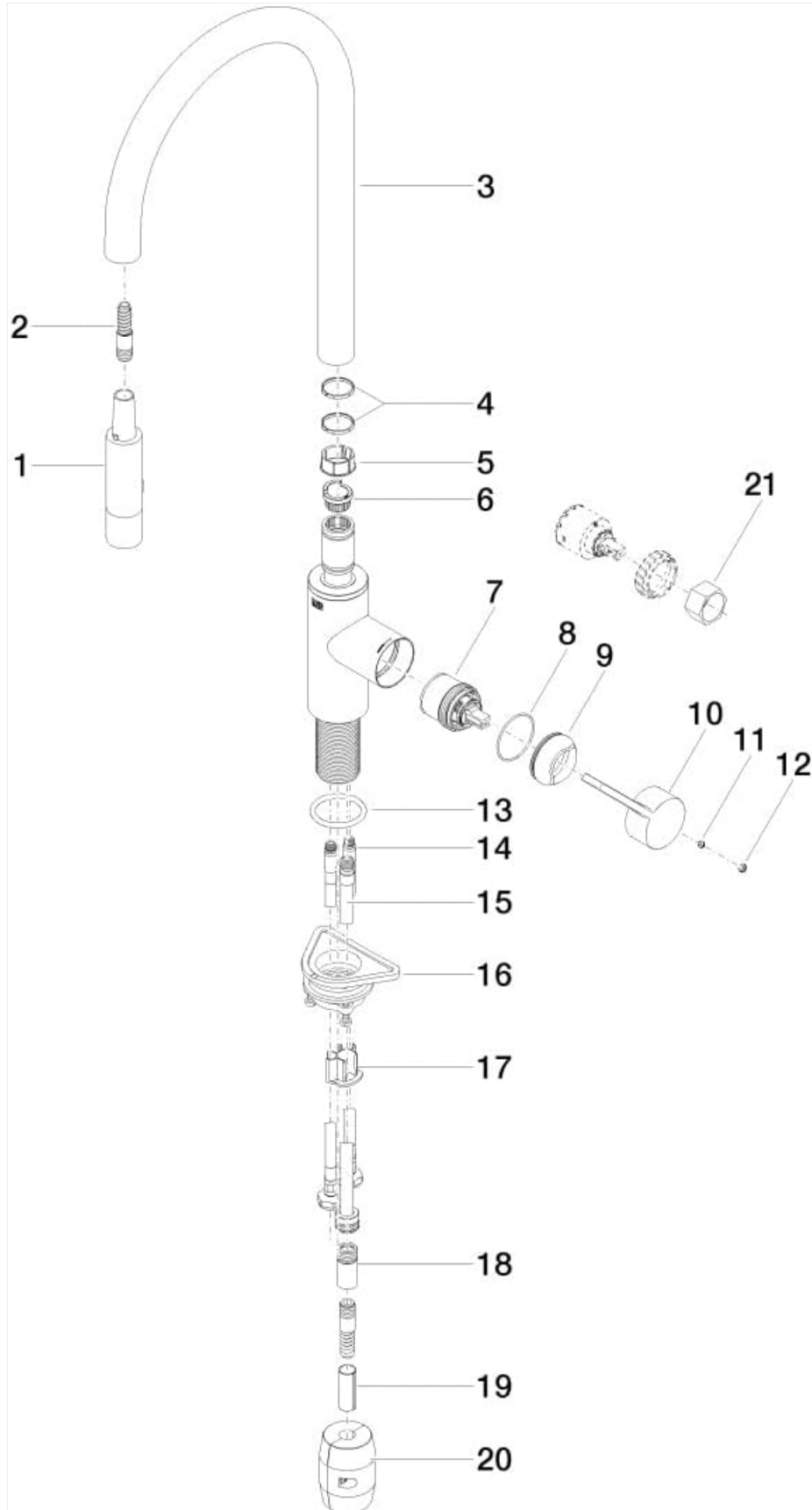


Figure 2: Exploded view diagram illustrating the various internal and external components of the Dornbracht TARA ULTRA kitchen mixer. This view is helpful for identifying parts during installation or maintenance.

## Installation Steps:

1. **Prepare the Faucet:** Attach the flexible supply lines (2x 10 mm) to the base of the faucet. Ensure connections are hand-tightened, then gently snug with a wrench.
2. **Mount the Faucet:** Insert the faucet body through the mounting hole on the sink or countertop. From underneath, secure the faucet using the provided mounting hardware (washer and nut). Ensure the faucet is properly aligned before fully tightening.
3. **Connect Water Supply:** Connect the hot and cold flexible supply lines to the corresponding hot and cold water shut-off valves. Use the included 3/8" US adapters if necessary.
4. **Install Sprayer Hose and Weight:** Feed the 59-inch metal shower hose through the faucet body and connect it to the pull-down sprayer. Attach the hose weight to the pull-down hose underneath the sink at a position that allows for smooth retraction of the sprayer.
5. **Check for Leaks:** Slowly turn on the main water supply. Check all connections for leaks. If leaks are detected, tighten the connections carefully.
6. **Flush the System:** Before first use, remove the sprayer head and flush the faucet for several minutes to clear any debris from the water lines. Reattach the sprayer head.

## OPERATING INSTRUCTIONS

---

Your Dornbracht TARA ULTRA kitchen mixer is designed for ease of use and versatility.



Figure 3: The Dornbracht TARA ULTRA kitchen mixer in an operational setting, demonstrating water flow from the spout into a kitchen sink.

### Water Flow and Temperature Control:

- **Single Lever Operation:** The single lever handle controls both water flow and temperature.
- **Flow Control:** Lift the handle upwards to increase water flow. Push it downwards to decrease flow and turn off the water.
- **Temperature Control:** Move the handle to the left for hot water and to the right for cold water. The temperature will adjust gradually as you move the handle between these positions.

### Pull-Down Sprayer Function:

- **Engaging the Sprayer:** Gently pull the sprayer head downwards from the main spout. The flexible hose allows for extended reach within the sink area.
- **Switching Spray Modes:** The sprayer head features a button or switch to toggle between two spray patterns:
  - **Laminar Flow:** Provides a clear, aerated stream of water, ideal for filling pots.
  - **Spray Function:** Delivers a wider, more powerful spray, suitable for rinsing dishes or cleaning the sink.

- **Retracting the Sprayer:** When finished, guide the sprayer head back into the main spout. The hose weight underneath the sink will assist in smooth retraction.

### Swivel Spout:

- The spout can swivel 360 degrees, providing maximum flexibility for various sink configurations and tasks.
- An optional restriction allows for limiting the swivel range to 150 degrees if desired for specific installations.

## MAINTENANCE

---

Regular maintenance will help preserve the polished chrome finish and ensure the long-term functionality of your Dornbracht kitchen mixer.

### Cleaning the Finish:

- Use only mild soap and water with a soft cloth to clean the chrome finish.
- *Do not* use abrasive cleaners, harsh chemicals, or scouring pads, as these can damage the finish.
- Rinse thoroughly with clean water and dry with a soft cloth to prevent water spots.

### Sprayer Head Descaling:

- The hand spray features a descaling system. If water flow becomes restricted or uneven, mineral deposits may have built up.
- Gently rub the rubber nozzles on the sprayer head to dislodge mineral buildup. For stubborn deposits, soak the sprayer head in a solution of equal parts white vinegar and water for 30 minutes, then rinse thoroughly.

### General Care:

- Periodically check the connections underneath the sink for any signs of leaks or loose fittings. Tighten if necessary.
- Avoid hanging heavy objects from the faucet or applying excessive force to the handle.

## TROUBLESHOOTING

---

This section addresses common issues you might encounter with your kitchen mixer. For problems not listed here, please contact customer support.

Problem	Possible Cause	Solution
<b>Low Water Flow</b>	Clogged aerator/sprayer nozzles; partially closed shut-off valves; debris in supply lines.	Clean sprayer nozzles (see Maintenance); ensure shut-off valves are fully open; flush supply lines (consult a plumber if necessary).
<b>Leaking at Base of Faucet</b>	Loose mounting nut; worn O-rings or seals.	Tighten mounting nut underneath the sink; inspect and replace O-rings/seals if damaged (consult a plumber).
<b>Leaking from Sprayer Head</b>	Damaged sprayer head; mineral buildup.	Clean sprayer nozzles (see Maintenance); replace sprayer head if damaged.

Problem	Possible Cause	Solution
<b>Sprayer Does Not Retract Fully</b>	Hose weight is misplaced or too light; obstruction under sink.	Adjust the position of the hose weight; ensure no obstructions are impeding the hose movement.
<b>Water Temperature Issues</b>	Incorrect hot/cold supply line connection; water heater issues.	Verify hot and cold supply line connections; check water heater settings.

## WARRANTY AND SUPPORT

---

For information regarding product warranty, please refer to the warranty documentation included with your purchase or visit the official Dornbracht website. For technical support, replacement parts, or service inquiries, please contact Dornbracht customer service directly.

**Dornbracht Official Website:** [www.dornbracht.com](http://www.dornbracht.com)

Please have your model number (33870875-00) and date of purchase ready when contacting support.