

[Manuals.plus](#) /

> [Nowodvorski](#) /

> Nowodvorski EYE SUPER BLACK I B Pendant Lamp (Model 6503) User Manual

## Nowodvorski 6503

# Nowodvorski EYE SUPER BLACK I B Pendant Lamp (Model 6503) User Manual

## INTRODUCTION

---

This manual provides essential information for the safe and efficient installation, operation, and maintenance of your Nowodvorski EYE SUPER BLACK I B Pendant Lamp, Model 6503. Please read these instructions carefully before proceeding with installation or use. Retain this manual for future reference.

## IMPORTANT SAFETY INSTRUCTIONS

---

**WARNING: Risk of electric shock. Disconnect power before installation or servicing.**

- Installation must be performed by a qualified electrician in accordance with all local electrical codes.
- Ensure the main power supply is switched off at the circuit breaker before beginning any work.
- Do not connect this fixture to an ungrounded electrical system.
- Do not exceed the maximum wattage specified for the light source (1x35W GU10).
- This product is designed for indoor use only.
- Handle the lamp with care to avoid damage.

## PACKAGE CONTENTS

---

Verify that all components are present and undamaged before installation. If any parts are missing or damaged, do not proceed with installation and contact your supplier.

- Pendant Lamp Fixture (Model 6503)
- Mounting Hardware (screws, anchors, wire connectors)
- Instruction Manual (this document)
- *Note: GU10 bulb is not included and must be purchased separately.*

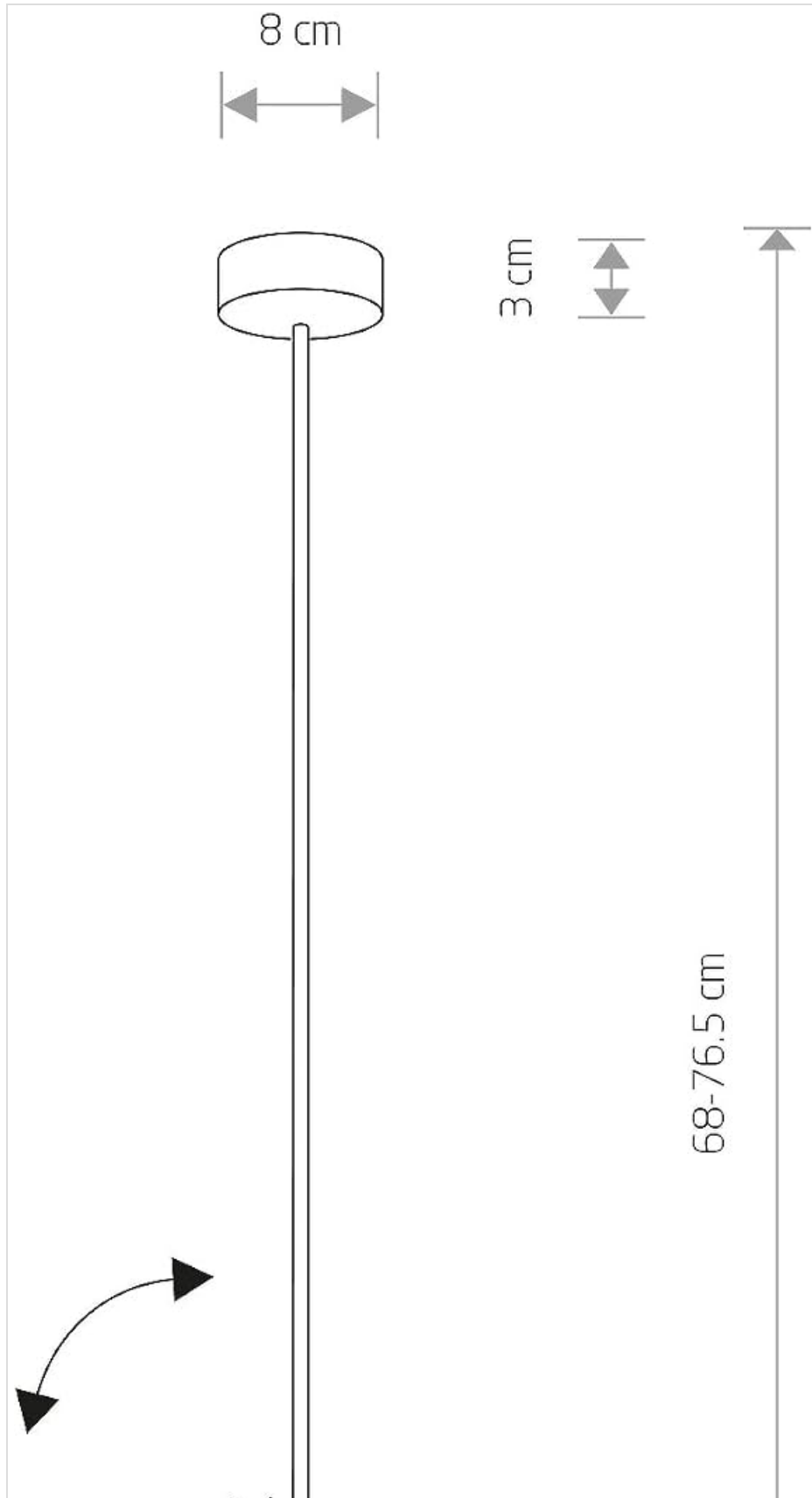
## SETUP AND INSTALLATION

### 1. Prepare for Installation:

Switch off the main power supply at the circuit breaker to prevent electric shock. Ensure the power is completely off before proceeding.

### 2. Mounting Bracket Installation:

Attach the mounting bracket to the ceiling junction box using the provided screws. Ensure the bracket is securely fastened.



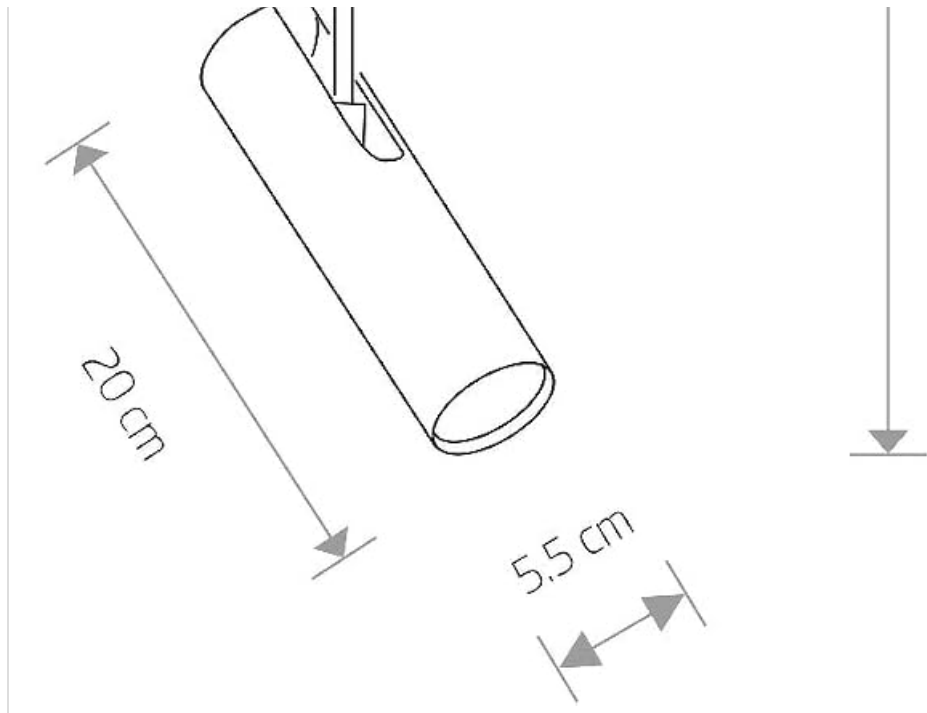


Image: Dimensional diagram of the Nowodvorski EYE SUPER BLACK I B pendant lamp, illustrating its height, width, and ceiling mount dimensions. The diagram shows a total height range of 68-76.5 cm, a lamp body length of 20 cm, a diameter of 5.5 cm, and a ceiling rose diameter of 8 cm with a height of 3 cm.

### 3. Electrical Connections:

Connect the electrical wires from the ceiling to the lamp fixture wires. Typically, this involves connecting:

- Live (L) wire (usually brown or black) to the fixture's live wire.
- Neutral (N) wire (usually blue or white) to the fixture's neutral wire.
- Ground (E) wire (usually green/yellow or bare copper) to the fixture's ground wire.

Use the provided wire connectors and ensure all connections are tight and secure. Tuck the wires neatly into the junction box.

### 4. Fixture Attachment:

Carefully attach the lamp fixture to the mounting bracket, securing it with the provided screws or fasteners. Ensure the fixture is stable and flush against the ceiling.



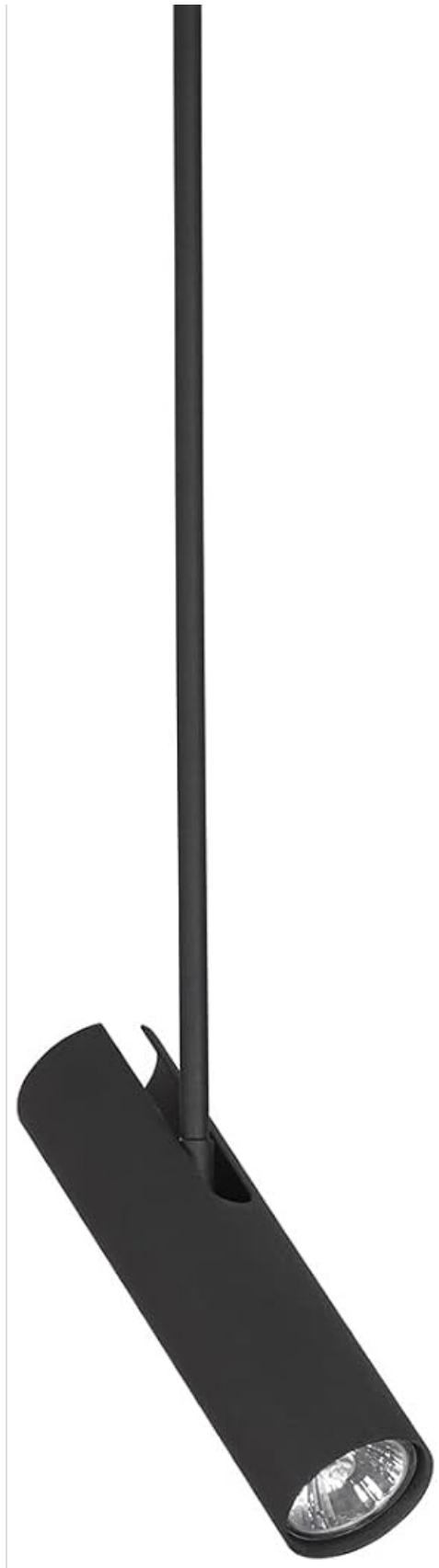


Image: A detailed view of the Nowodvorski EYE SUPER BLACK I B pendant lamp, showcasing its black finish, cylindrical lamp head, and the suspension rod connecting it to the ceiling rose. The GU10 bulb socket is visible at the end of the lamp head.

**5. Install GU10 Bulb:**

Insert a GU10 bulb (max 35W) into the lamp holder. Twist to secure it in place.

**6. Restore Power:**

Once installation is complete, restore power at the circuit breaker and test the lamp.



Image: An illustrative image showing three Nowodvorski EYE SUPER BLACK I B pendant lamps suspended above a modern kitchen island with bar stools. The lamps provide focused lighting on the countertop, demonstrating a typical installation scenario.

## OPERATING INSTRUCTIONS

---

The Nowodvorski EYE SUPER BLACK I B Pendant Lamp is operated via a standard wall switch connected to its electrical circuit. Ensure the correct GU10 bulb (max 35W) is installed.

- **Switching On/Off:** Use the wall switch to turn the lamp on or off.
- **Adjusting Light Direction:** The lamp head can be adjusted to direct light as needed. Gently pivot the lamp head to the desired angle.

## MAINTENANCE

---

Regular maintenance ensures the longevity and optimal performance of your lamp.

- **Cleaning:**  
Before cleaning, ensure the power supply is disconnected. Wipe the lamp with a soft, dry, or slightly damp cloth. Do not use abrasive cleaners, solvents, or polishes as they may damage the finish.
- **Bulb Replacement:**  
Before replacing the bulb, ensure the power is off and the bulb has cooled down. Gently twist and pull out the old GU10 bulb. Insert a new GU10 bulb (max 35W) and twist to secure it.
- **Inspection:**  
Periodically inspect the lamp for any signs of damage, loose connections, or wear. If any issues are found, disconnect power and consult a qualified electrician.

## TROUBLESHOOTING

Problem	Possible Cause	Solution
Lamp does not light up.	No power to the fixture. Faulty bulb. Loose wiring connection.	Check circuit breaker and wall switch. Replace bulb with a new one. Turn off power and check wiring connections (consult electrician if unsure).
Lamp flickers.	Loose bulb. Incorrect bulb type/wattage. Loose wiring.	Ensure bulb is securely twisted into socket. Verify bulb is GU10 and max 35W. Turn off power and check wiring connections (consult electrician if unsure).
Lamp makes buzzing noise.	Incompatible dimmer switch (if applicable). Loose wiring.	Ensure dimmer switch is compatible with LED/GU10 bulbs. Turn off power and check wiring connections (consult electrician if unsure).

## SPECIFICATIONS

Feature	Detail
Brand	Nowodvorski
Model Name	EYE
Model Number	6503
Part Number	NO1/3/368
Type	Pendant Lamp / Ceiling Lamp
Material	Metal (Steel)
Color	Black
Height	77 cm (adjustable range 68-76.5 cm from diagram)
Width / Diameter	5.5 cm (lamp head) / 8 cm (ceiling rose)
Number of Light Sources	1
Bulb Base	GU10
Max Wattage	1x35W
Input Voltage	230V
Usage Environment	Indoor
Mounting Type	Ceiling Mount
EAN	5903139650397

## WARRANTY AND SUPPORT

---

For warranty information and technical support, please contact your retailer or the manufacturer, Nowodvorski. Keep your purchase receipt as proof of purchase.

Manufacturer: Nowodvorski

Contact information may be available on the manufacturer's official website or product packaging.