

GROHE 36330001



GROHE 36330001 Eurosmart Cosmopolitan Infrared Wash Basin Faucet

Instruction Manual

1. INTRODUCTION

This manual provides essential information for the safe and efficient installation, operation, and maintenance of your GROHE 36330001 Eurosmart Cosmopolitan Infrared Wash Basin Faucet. Please read these instructions thoroughly before beginning installation or use, and retain them for future reference. This product is designed for use with instantaneous water heaters (closed water heaters), thermal baths, and storers. It is not suitable for use with open water heaters (low-pressure devices).

2. SAFETY INFORMATION

- Ensure all electrical connections are made by a qualified electrician in accordance with local regulations.
- Turn off the main water supply before beginning any installation or maintenance work.
- Do not modify the product. Any modifications may void the warranty and create safety hazards.
- Protect the product from freezing temperatures.
- Use only genuine GROHE spare parts for repairs.
- International products may have specific terms and may differ from local products in fit, age ratings, and language of product, labeling, or instructions.

3. PACKAGE CONTENTS

Verify that all components are present before installation:

- GROHE 36330001 Eurosmart Cosmopolitan Infrared Wash Basin Faucet
- Hose burst protection

- Installation instructions (may not be in English)
- Mounting hardware

4. INSTALLATION

The GROHE 36330001 faucet is designed for deck mounting with a single hole installation. Refer to the diagrams below for detailed dimensions and component identification.

4.1. Dimensional Diagram

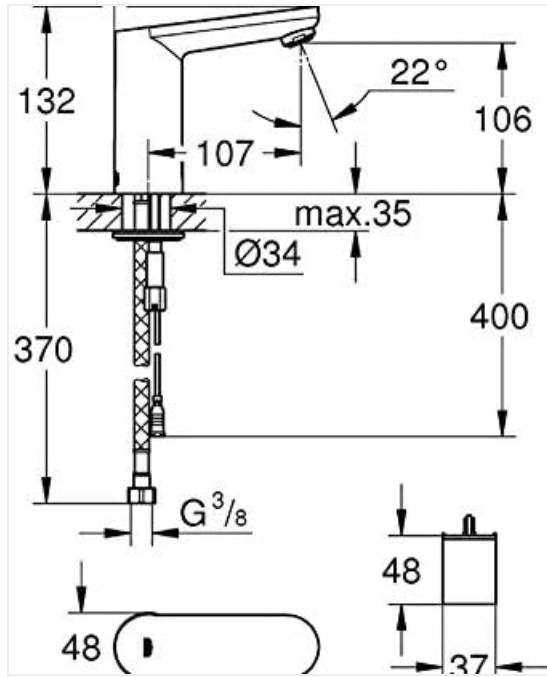


Figure 1: Installation dimensions for the GROHE 36330001 faucet. Key dimensions include a maximum mounting surface thickness of 35mm and a required hole diameter of Ø34mm. The total height from the mounting surface to the top of the faucet is 132mm, with a spout reach of 107mm. Water connections are G 3/8.

4.2. Exploded View and Parts List

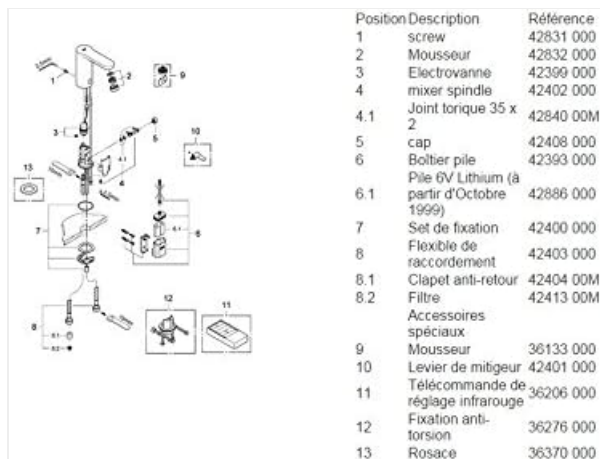


Figure 2: Exploded view of the GROHE 36330001 faucet components with corresponding part numbers. This diagram aids in identifying individual parts for assembly and maintenance.

4.3. Installation Steps (General Guidelines)

1. Prepare the mounting surface: Ensure the sink or countertop has a single hole with a diameter of Ø34mm. The maximum thickness of the mounting surface should not exceed 35mm.
2. Install the faucet body: Insert the faucet body into the mounting hole. Secure it from underneath using the provided mounting hardware.
3. Connect water supply lines: Connect the G 3/8 water supply lines to the appropriate hot and cold water outlets.

Ensure all connections are tight to prevent leaks.

4. Install hose burst protection: Attach the hose burst protection as indicated in the package contents.
5. Connect power supply: This is an electric faucet. Ensure the power supply is connected according to local electrical codes.
6. Test for leaks: Slowly turn on the main water supply and check all connections for leaks.

5. OPERATING INSTRUCTIONS

The GROHE 36330001 Eurosmart Cosmopolitan faucet features infrared technology for touchless operation, a safety shut-off, and an EcoJoy water-saving function.

5.1. Touchless Operation

- To activate water flow, place your hands within the sensor's detection range, typically beneath the spout.
- The infrared sensor will detect your presence and initiate water flow.
- Water flow will automatically stop when your hands are removed from the sensor's range, or after a preset duration due to the safety shut-off feature.

5.2. EcoJoy Water-Saving Function

This faucet is equipped with GROHE EcoJoy technology, which reduces water consumption without compromising performance. This feature is integrated and operates automatically.

5.3. Temperature Adjustment

If your model includes a temperature mixing lever, adjust it to achieve the desired water temperature. For models without a visible lever, temperature may be pre-set or adjustable via an internal mixing valve.

6. SETTINGS AND ADJUSTMENTS

The infrared sensor's detection range and water flow duration are typically set at the factory. If adjustments are needed, such as modifying the sensor's sensitivity or the water run-time, a specific GROHE remote control may be required. This remote control is usually purchased separately or can be borrowed from a professional installer. Consult the remote control's manual for detailed adjustment procedures.

7. MAINTENANCE AND CARE

To maintain the appearance and functionality of your GROHE faucet, follow these guidelines:

- **Cleaning:** Clean the faucet regularly with a soft cloth and a mild, non-abrasive cleaning agent. Avoid using harsh chemicals, abrasive sponges, or cleaners containing alcohol, acid, or chlorine, as these can damage the chrome finish.
- **Sensor Care:** Keep the infrared sensor window clean and free from obstructions to ensure proper operation.
- **Aerator:** Periodically unscrew and clean the aerator to remove any mineral deposits or debris that may affect water flow.
- **Filter:** If your installation includes a filter, inspect and clean it as needed to maintain optimal water quality and flow.

8. TROUBLESHOOTING

If you encounter issues with your faucet, refer to the following common problems and solutions:

Problem	Possible Cause	Solution
---------	----------------	----------

Problem	Possible Cause	Solution
Water runs for too long after hands are removed.	Sensor sensitivity is set too high or run-time is too long.	Adjust sensor range and run-time using a GROHE remote control (if available). Ensure no reflective surfaces are interfering with the sensor.
No water flow when hands are detected.	Water supply off, sensor obstructed, power issue, or internal blockage.	Check water supply valves. Clean sensor window. Verify power connection. Check aerator and filters for blockages.
Faucet appears defective.	Component failure or severe malfunction.	If basic troubleshooting does not resolve the issue, contact GROHE customer support or a qualified plumber for assistance. Do not attempt complex repairs yourself.
Water flow is weak.	Low water pressure, clogged aerator, or clogged filter.	Check household water pressure. Clean or replace the aerator. Inspect and clean any inline filters.

9. TECHNICAL SPECIFICATIONS

Specification	Detail
Brand	GROHE
Model Name	36330001
Series ID	EuroSmart Cosmopolitan E
Mounting Type	Deck Mount
Installation Method	Single Hole
Hole Count	1
Material	Chrome (Metal)
Finish Type	Chrome
Color	Chrome
Number of Handles	1 (Internal for temperature mixing)
Special Features	Infrared Technology, Safety Shut-off, EcoJoy Water-Saving Function
Is Electric	Yes
Spout Height	150 Millimeters
Spout Reach	0.5 Inches (Note: Diagram shows 107mm)
Recommended Uses	Electronic Faucet (Armatuur, elektronisch)
GTIN	04005176305788

10. WARRANTY AND CUSTOMER SUPPORT

For warranty information, please refer to the documentation provided with your purchase or visit the official GROHE

website. If you require technical assistance, spare parts, or have questions not covered in this manual, please contact GROHE customer support. Ensure you have your product model number (36330001) and proof of purchase available when contacting support.

GROHE Website: www.grohe.com