

[Manuals.plus](#) /

› [UHPPOTE](#) /

› UHPPOTE Electric Strike Lock UT0511-622S Instruction Manual

## UHPPOTE UT0511-622S

# UHPPOTE Electric Strike Lock UT0511-622S Instruction Manual

Model: UT0511-622S

## INTRODUCTION

This manual provides detailed instructions for the installation, operation, maintenance, and troubleshooting of the UHPPOTE Electric Strike Lock, model UT0511-622S. This device is designed for use with European and American fire push bars in access control systems for double doors, fire exits, and emergency doors.

**Important Note:** This electric strike lock requires a separate push panic bar for operation. Please refer to ASIN: [B06XWY91HQ](#) for compatible push panic bars.

## PRODUCT OVERVIEW

The UHPPOTE Electric Strike Lock (Model UT0511-622S) is constructed with a 304 Stainless Steel lock tongue, featuring a nickel-coated surface for durability. It is designed to integrate with existing access control systems and fire push bars.



Figure 1: Front view of the UHPPOTE Electric Strike Lock.



Figure 2: Angled view of the UHPPOTE Electric Strike Lock, showing the strike plate and mounting holes.

## SPECIFICATIONS

<b>Model Number</b>	UT0511-622S
<b>Brand</b>	UHPPOTE
<b>Lock Type</b>	Electric Strike Lock
<b>Material</b>	Stainless Steel
<b>Finish Type</b>	Nickel-coated
<b>Lock Tongue Structure</b>	304 Stainless Steel
<b>Holding Force</b>	1000kg / 2204lb
<b>Signal Output</b>	Door sensor NO/NC/COM
<b>Dimensions (L x W x H)</b>	6.04 x 1.69 x 1.93 inches (153.5 x 43 x 49 mm)
<b>Item Weight</b>	0.52 Kilograms
<b>Compatibility</b>	European & American fire push bars
<b>UPC</b>	701385688349

# Dimensions

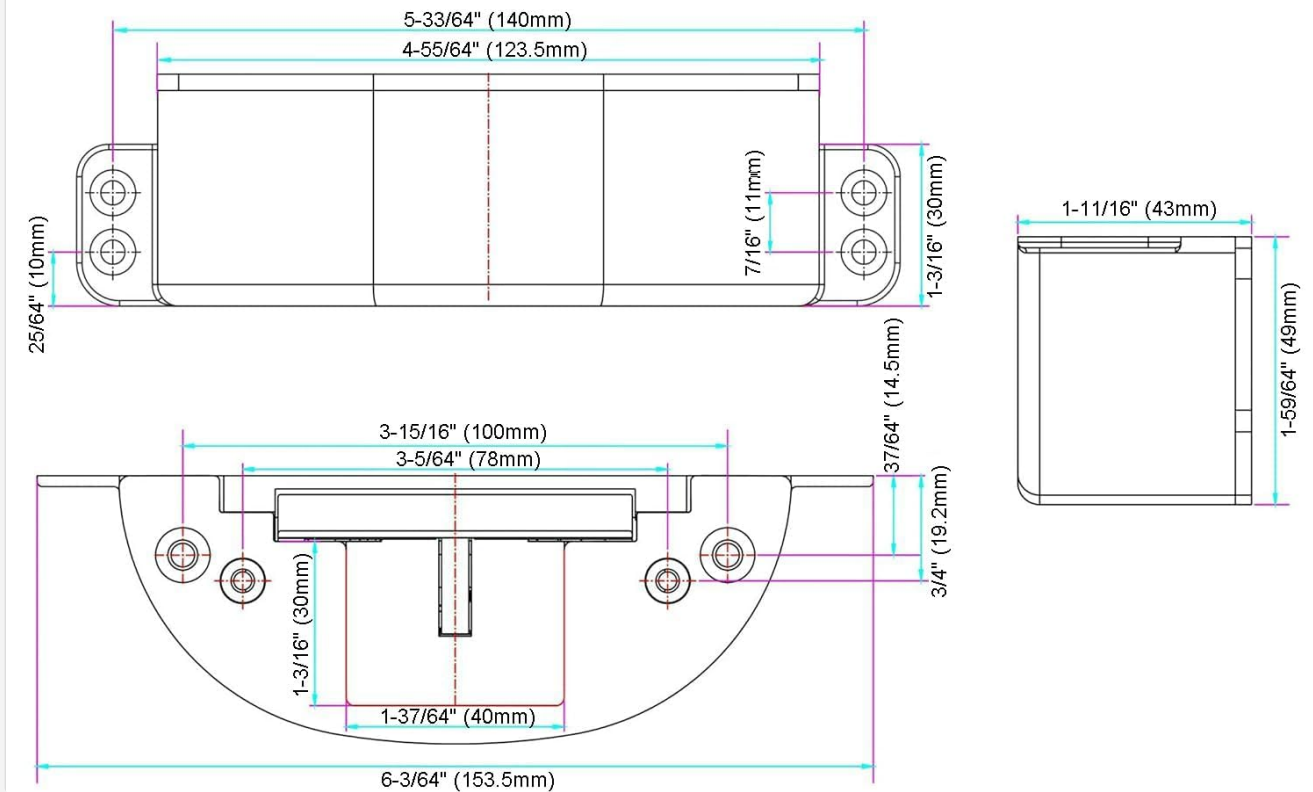


Figure 3: Detailed dimensions of the UHPPOTE Electric Strike Lock for precise installation planning.

## SETUP AND INSTALLATION

Proper installation is crucial for the reliable operation of the electric strike lock. Follow these steps carefully.

- 1. Prepare the Door Frame:** Mark the drilling positions on the door frame according to the lock's dimensions. Ensure the location allows for proper alignment with the panic push bar.
- 2. Cut the Lock Hole:** Carefully cut a recess in the door frame for the lock body. This step requires precision to ensure the lock sits flush.
- 3. Drill Mounting Holes:** Drill pilot holes for the mounting screws at the marked positions.
- 4. Mount the Electric Strike:** Insert the electric strike lock into the prepared recess and fasten it securely to the door frame using appropriate screws.
- 5. Wiring:** Connect the electric strike lock to your access control system. The signal output provides door sensor status (NO/NC/COM).
  - Green: NO (Normally Open)
  - White: COM (Common)
  - Yellow: NC (Normally Closed)
  - Red: +12VDC
  - Black: - (Ground)
- 6. Function Conversion (Fail-Safe/Fail-Secure):** The lock can be configured for fail-safe (NO mode) or fail-secure (NC mode) operation.
  - For **NO mode** (Fail-Safe - unlocks when power is lost): Unscrew the nut and adjust the security mode to the short end of the screw.
  - For **NC mode** (Fail-Secure - locks when power is lost): Unscrew the nut and adjust the security mode to the long end of the screw.

7. **Install Panic Push Bar:** Install the compatible panic push bar on the door, ensuring it aligns correctly with the electric strike lock.

### Signal Output

N.C. contact or access relay for fail safe setting.  
 N.O. contact or access relay for fail secure setting.

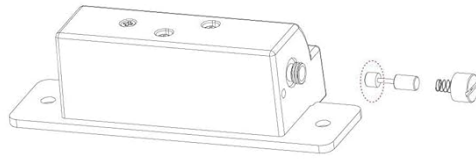
Green: NO  
 White: COM  
 Yellow: NC

**Door Status**  
 N.C. contact output : open status  
 N.O. contact output : closed status

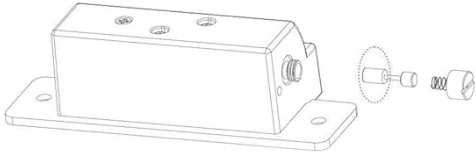
Red: +  
 Black: -

12VDC

### Function Conversion

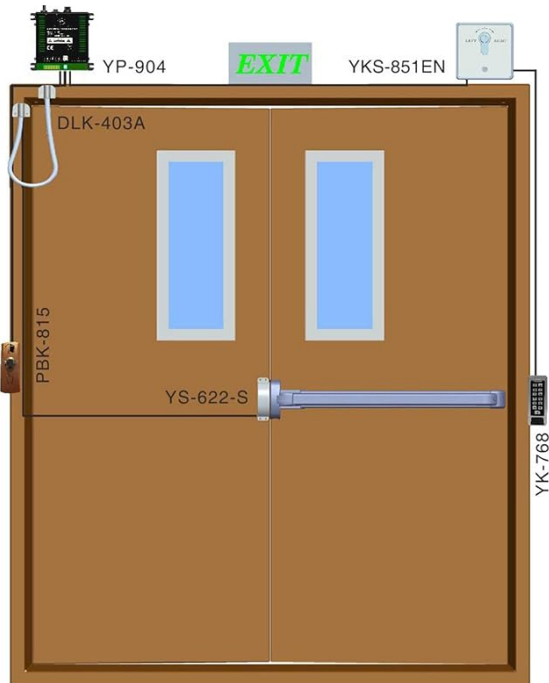


unscrew the nut to adjust the security mode, the short end of the screw for NO mode



unscrew the nut to adjust the security mode, the long end of the screw for NC mode

### Installation Diagram



### Overall Dimensions

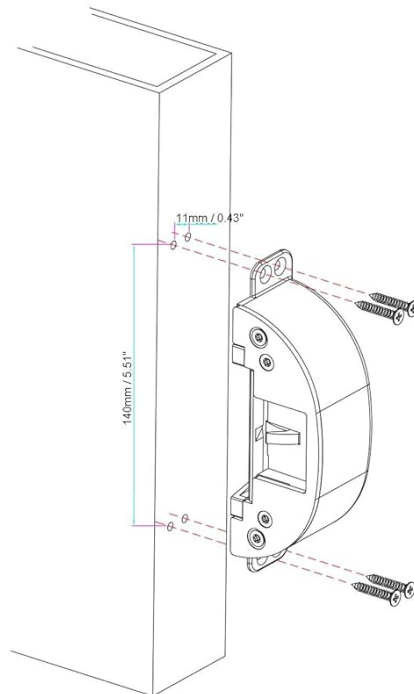


Figure 4: Installation diagram illustrating signal output wiring and function conversion for NO/NC modes.

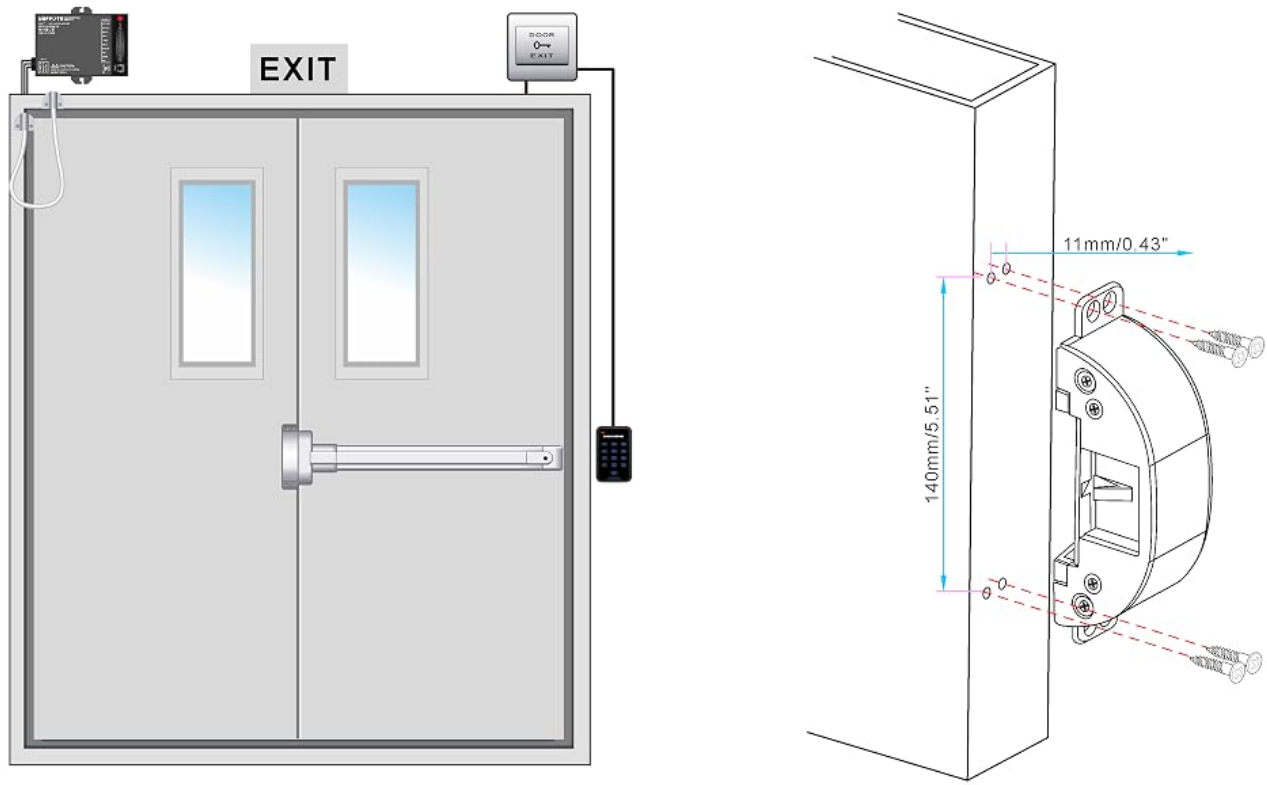


Figure 5: Example installation of the electric strike lock with a panic push bar on a double door.

## Installation Video Guide

Your browser does not support the video tag.

Video 1: A visual guide demonstrating the installation process for the UHPPOTE Electric Strike Lock with a panic push bar.

## OPERATING INSTRUCTIONS

The electric strike lock operates in conjunction with an access control system and a panic push bar. When the access control system sends an unlock signal, the electric strike releases the door latch, allowing the door to be opened. In an emergency, pressing the panic push bar will mechanically release the door, regardless of the electric strike's state (if properly installed as a fire exit device).

The lock's operational mode (fail-safe or fail-secure) determines its behavior during a power outage:

- **Fail-Safe (NO mode):** The lock will unlock automatically when power is removed. This is typically used for fire exits where egress must always be possible during a power failure.
- **Fail-Secure (NC mode):** The lock will remain locked when power is removed. This is common for security applications where the door should remain secured during a power failure.

The integrated door sensor provides feedback to the access control system regarding the door's open or closed status.

## MAINTENANCE

To ensure long-term reliability and performance of your UHPPOTE Electric Strike Lock, regular maintenance is recommended:

- **Cleaning:** Periodically clean the exterior of the strike lock with a soft, dry cloth. Avoid abrasive cleaners or solvents.
- **Inspection:** Annually inspect the lock tongue and strike plate for any signs of wear, damage, or obstruction.

Ensure the lock tongue moves freely.

- **Fastener Check:** Verify that all mounting screws are tight and secure. Loose fasteners can affect the lock's alignment and operation.
- **Wiring Check:** Inspect wiring connections for any signs of corrosion or damage. Ensure all connections are secure.

If any issues are observed, refer to the Troubleshooting section or contact customer support.

## TROUBLESHOOTING

If you encounter problems with your electric strike lock, consult the following common issues and solutions:

Problem	Possible Cause	Solution
Lock does not secure properly (door can be opened even when locked).	The internal pin that blocks the lock tongue may not be seating far enough.	<ul style="list-style-type: none"><li>• Check the alignment of the strike lock with the panic bar's latch.</li><li>• Inspect the internal mechanism for obstructions or damage.</li><li>• Ensure the lock is correctly configured for fail-secure (NC) mode if intended to remain locked without power.</li><li>• If the issue persists, contact customer support.</li></ul>
Lock does not unlock when signal is applied.	No power, incorrect wiring, or faulty access control signal.	<ul style="list-style-type: none"><li>• Verify power supply to the lock (12VDC).</li><li>• Check all wiring connections according to the installation diagram.</li><li>• Test the access control system's output signal.</li><li>• Ensure the lock tongue is not jammed by excessive pressure from the door.</li></ul>
Door sensor status is incorrect.	Incorrect wiring of the door sensor output.	<ul style="list-style-type: none"><li>• Re-check the Green (NO), White (COM), and Yellow (NC) wire connections to your access control panel.</li><li>• Ensure the door sensor mechanism within the strike is not obstructed.</li></ul>

## WARRANTY INFORMATION

Specific warranty details for the UHPPOTE Electric Strike Lock (Model UT0511-622S) are not provided in this manual. Please refer to the product packaging, the official UHPPOTE website, or contact UHPPOTE customer support directly for current warranty terms and conditions.

## CUSTOMER SUPPORT

For further assistance, technical support, or inquiries regarding your UHPOTE Electric Strike Lock, please contact UHPOTE customer service or visit their official store.

- **Brand:** UHPOTE
- **Manufacturer:** UHPOTE
- **Online Store:** [Visit the UHPOTE Store on Amazon](#)

© 2024 UHPOTE. All rights reserved.