

## GROHE 34562000

# GROHE 34562000 Grohtherm 800 Thermostatic Wall Mounted Shower Mixer

Instruction Manual

## 1. PRODUCT OVERVIEW

---

The GROHE 34562000 Grohtherm 800 is a thermostatic wall-mounted shower mixer designed to provide a consistent and safe showering experience. It incorporates advanced technologies to ensure precise temperature control and water efficiency.

### Key Features:

- **GROHE TurboStat Technology:** Delivers the desired water temperature reliably within a fraction of a second and maintains it consistently.
- **SafeStop:** A preset temperature limit of 38°C to protect against scalding. Higher temperatures can be selected by deactivating the SafeStop button.
- **GROHE EcoJoy with EcoButton:** Allows reduction of water consumption by up to 50% at the push of a button, contributing to environmental conservation.
- **GROHE StarLight Chrome Finish:** A durable, glossy chrome coating that is easy to clean and maintains its shine.
- **Ergonomic Handles:** Designed for comfortable and easy operation.
- **WRAS Approved:** Certified for water regulatory advisory scheme compliance.

## 2. SAFETY INFORMATION

---

Please read all instructions carefully before installation and use. Failure to follow these instructions may result in injury or damage to the product.

- Installation should be performed by a qualified professional plumber in accordance with local plumbing and building codes.

- Ensure the main water supply is turned off before beginning any installation or maintenance work.
- Wear appropriate personal protective equipment, such as safety glasses and gloves, during installation.
- Do not modify the product in any way. Use only genuine GROHE replacement parts.
- Keep children away from the installation area and do not allow them to operate the mixer unsupervised.
- Check all connections for leaks after installation and before regular use.

### **3. PACKAGE CONTENTS**

---

Verify that all components are present and undamaged before proceeding with installation.

- GROHE Grohtherm 800 Thermostatic Wall Mounted Shower Mixer
- Fittings and mounting hardware
- Assembly instructions (this document)

### **4. INSTALLATION**

---

Professional installation is highly recommended to ensure proper function and compliance with all local regulations. This section provides general guidance.

#### **4.1. Pre-Installation Checks**

- Ensure the water supply lines (hot and cold) are correctly positioned and flushed.
- Verify that the wall surface is suitable for mounting and can support the weight of the mixer.
- Confirm the center distance between the hot and cold water inlets matches the mixer's requirements (typically 150mm ± 15mm).

#### **4.2. Mounting the Mixer**

Refer to the technical drawing below for critical dimensions and connection points.

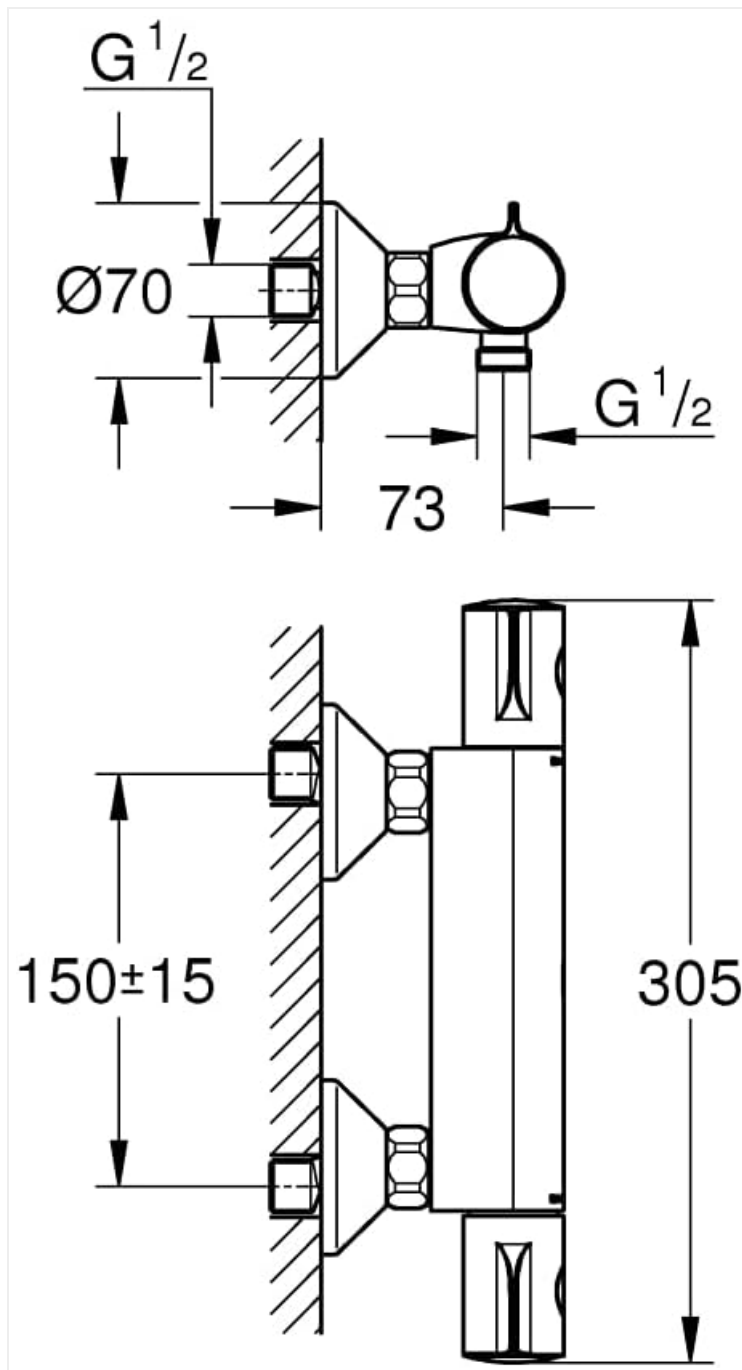


Image: Technical drawing illustrating the dimensions and connection points for the GROHE Grohtherm 800 shower mixer. Key dimensions include G 1/2 connections, a diameter of 70mm, a depth of 73mm from the wall, a center distance of 150mm (with a tolerance of +/- 15mm), and a total height of 305mm.

1. Install the S-unions (eccentric connectors) into the wall outlets, ensuring they are level and the correct distance apart (150mm center-to-center).
2. Apply thread sealant to the S-unions and screw them into the wall connections.
3. Attach the cover escutcheons to the S-unions.
4. Mount the shower mixer onto the S-unions, ensuring the hot water inlet (usually left) and cold water inlet (usually right) are correctly aligned.
5. Tighten the nuts securely, but do not overtighten.
6. Open the main water supply and check for any leaks at the connections.

#### 4.3. Post-Installation Appearance



*Image: The GROHE Grotherm 800 Thermostatic Wall Mounted Shower Mixer shown installed on a wall in a modern shower environment, demonstrating its sleek chrome finish and compact design.*

## 5. OPERATION

---

The Grotherm 800 mixer is designed for intuitive and safe operation.

### 5.1. Temperature Control

- The temperature is controlled by the right-hand handle. Rotate the handle to adjust the water temperature.
- The mixer features **GROHE TurboStat technology**, which quickly reaches and maintains your desired temperature, even with fluctuations in water pressure.
- **SafeStop:** For safety, the temperature is limited to 38°C. To exceed this temperature, press the SafeStop button located on the temperature handle and then rotate the handle further.

### 5.2. Water Flow Control

- The water flow is controlled by the left-hand handle. Rotate the handle to increase or decrease the water volume.
- **EcoButton:** To conserve water, press the EcoButton on the flow handle. This reduces the water flow by up to 50% without compromising the showering experience. To achieve full flow, press the EcoButton and rotate the handle further.

## 6. CARE AND MAINTENANCE

---

Proper care will ensure the longevity and appearance of your GROHE shower mixer.

### 6.1. Cleaning

- Clean the mixer with a soft cloth and mild soap or a non-abrasive liquid cleaner specifically designed for chrome finishes.
- *Do not* use abrasive cleaners, scouring pads, or cleaners containing alcohol, ammonia, or phosphoric acid, as these can damage the chrome finish.
- Rinse thoroughly with clean water after cleaning and dry with a soft cloth to prevent water spots.

### 6.2. Long-Term Care

- Regularly check for any signs of leaks or drips. Address these promptly to prevent water damage.
- If the water flow becomes restricted, check the aerator or shower head for limescale buildup and clean as necessary.

## 7. TROUBLESHOOTING GUIDE

This section addresses common issues you might encounter with your shower mixer.

Problem	Possible Cause	Solution
No hot water or inconsistent temperature	Hot water supply issue, thermostatic cartridge malfunction, or SafeStop engaged.	Check hot water supply. Ensure SafeStop is disengaged if higher temperatures are desired. If problem persists, contact a qualified plumber to inspect the thermostatic cartridge.
Low water flow	Limescale buildup in shower head/aerator, partially closed stopcock, or EcoButton engaged.	Clean shower head/aerator. Ensure stopcocks are fully open. Disengage EcoButton for full flow. Check water pressure in the building.
Water dripping from mixer	Worn seals or faulty cartridge.	Contact a qualified plumber to replace seals or the cartridge.
Mixer is loose on the wall	Mounting nuts are loose.	Carefully tighten the mounting nuts. Do not overtighten.

For issues not listed here or if solutions do not resolve the problem, please contact a qualified plumber or GROHE customer support.

## 8. TECHNICAL SPECIFICATIONS

Specification	Detail
Model Number	34562000
Brand	GROHE
Material	Brass
Finish Type	Chrome plated
Color	Chrome-plated
Mounting Type	Wall Mount
Number of Handles	2 (one for temperature, one for flow)
Item Weight	1 Kilogram
Connections	G 1/2 (standard)

Specification	Detail
Center Distance	150mm ( $\pm$ 15mm)

## 9. WARRANTY AND CUSTOMER SUPPORT

---

### 9.1. Warranty Information

This GROHE product comes with a **5-year manufacturer's warranty**. Please retain your proof of purchase for warranty claims. The warranty covers manufacturing defects under normal use and service.

For full terms and conditions of the warranty, please refer to the official GROHE warranty documentation or visit the GROHE website.

### 9.2. Customer Support

If you require technical assistance, have questions about installation, or need to make a warranty claim, please contact GROHE customer support through their official website or the contact information provided with your purchase documentation.

Always provide the model number (34562000) and a detailed description of the issue when contacting support.