

Manuals+

[Q & A](#) | [Deep Search](#) | [Upload](#)

manuals.plus /

- › [Tesa Assa Abloy](#) /
- › [Tesa Assa Abloy Standard Lock Cylinder TE5R3010N User Manual](#)

Tesa Assa Abloy TE5R3010N

Tesa Assa Abloy Standard Lock Cylinder User Manual

Model: TE5R3010N

1. INTRODUCTION

This user manual provides essential information for the proper installation, operation, and maintenance of your Tesa Assa Abloy standard lock cylinder, model TE5R3010N. Please read this manual thoroughly before attempting any installation or use to ensure safe and efficient operation and to maximize the lifespan of your product. Keep this manual for future reference.

2. SAFETY INFORMATION

Always prioritize safety during installation and use. Failure to follow these instructions may result in damage to the product, property, or personal injury.

- Ensure the door and frame are structurally sound and compatible with the lock cylinder before installation.
- Use appropriate tools for installation.
- Do not force the key or cylinder if resistance is met. Investigate the cause of resistance.
- Keep keys out of reach of children.
- Only use original Tesa keys and recommended lubricants for maintenance.

3. PACKAGE CONTENTS

Carefully unpack the product and verify that all components are present and undamaged. If any items are missing or damaged, contact your retailer immediately.

- 1 x Tesa Assa Abloy Standard Lock Cylinder (TE5R3010N)
- 3 x Original Tesa Keys



Figure 3.1: Tesa Assa Abloy lock cylinder and accompanying keys.

4. SETUP (INSTALLATION)

Follow these steps to properly install your Tesa Assa Abloy lock cylinder. Ensure the door is open and secure during installation.

1. **Measure the Existing Cylinder:** If replacing an old cylinder, measure its length from the center of the fixing screw hole to each end. The Tesa Assa Abloy TE5R3010N has specific dimensions (e.g., 30-10mm) that must match your door's requirements. Refer to the dimension diagram below.
2. **Remove the Old Cylinder (if applicable):** Locate the fixing screw on the edge of the door, typically aligned with the cylinder. Unscrew it. Insert the key into the old cylinder and turn it slightly (about 15-20 degrees) to align the cam with the cylinder body, allowing it to slide out.
3. **Insert the New Cylinder:** Insert the key into the new Tesa Assa Abloy cylinder. Turn the key slightly to align the cam. Slide the cylinder into the lock case from the side of the door. Ensure it sits flush with both sides of the door or as required by your door's design.
4. **Secure the Cylinder:** Re-insert or insert the fixing screw through the lock case and into the cylinder's screw hole. Tighten the screw firmly but do not overtighten, as this can damage the cylinder or prevent proper operation.
5. **Test Operation:** With the door open, insert the key and turn it to ensure smooth operation of the lock and cam.

Test from both sides of the door. Close the door and test again to ensure the lock engages correctly with the strike plate.

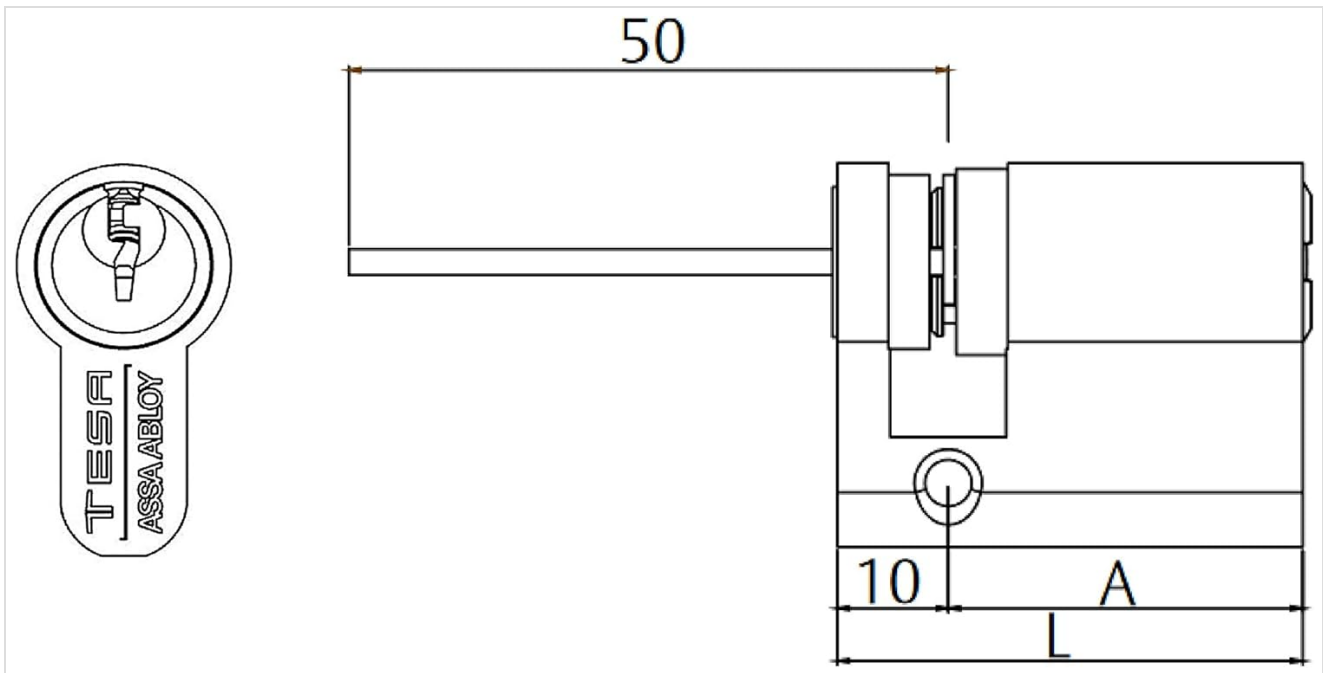


Figure 4.1: Lock cylinder dimensions diagram. Ensure measurements match your door's requirements.

5. OPERATING

Operating the Tesa Assa Abloy lock cylinder is straightforward:

- **To Lock:** Insert the key fully into the keyway. Turn the key clockwise (or counter-clockwise, depending on installation) until the bolt extends and the door is secured. Remove the key.
- **To Unlock:** Insert the key fully into the keyway. Turn the key counter-clockwise (or clockwise) until the bolt retracts. Remove the key.

Always ensure the key is fully inserted before turning to prevent damage to the key or the cylinder's internal mechanism.

6. MAINTENANCE

Regular maintenance will ensure the longevity and smooth operation of your lock cylinder.

- **Cleaning:** Periodically wipe the exterior of the cylinder with a soft, dry cloth to remove dust and grime. Avoid abrasive cleaners or solvents.
- **Lubrication:** Apply a small amount of Tesa-recommended lubricant specifically designed for lock cylinders into the keyway approximately once a year, or if the key starts to feel stiff. Do not use oil-based lubricants or graphite powder, as these can attract dirt and clog the mechanism.
- **Key Care:** Only use original Tesa keys. Bent or damaged keys can harm the cylinder. Do not use keys for purposes other than operating the lock.



Figure 6.1: Important maintenance guidelines: Use only Tesa lubricant and original Tesa keys.

7. TROUBLESHOOTING

If you encounter issues with your lock cylinder, try the following solutions:

- **Key is Stiff or Hard to Turn:**
 - Ensure the key is fully inserted.
 - Apply Tesa-recommended lock lubricant into the keyway.
 - Check if the door is warped or if the bolt is misaligned with the strike plate, causing pressure on the cylinder.
- **Key Does Not Insert Fully:**
 - Check for foreign objects in the keyway.
 - Ensure you are using an original Tesa key.
- **Cylinder Spins Freely Without Engaging:**
 - The fixing screw may be loose or dislodged. Re-tighten the fixing screw on the door edge.
 - The cam may be damaged or disengaged. This typically requires professional repair or replacement.

If problems persist after attempting these solutions, contact a qualified locksmith or Tesa Assa Abloy customer support.

8. SPECIFICATIONS

Attribute	Value
Manufacturer	tesa SE
Part Number	TE5R3010N
Product Dimensions	4 x 1.7 x 3.3 cm; 150 g
Product Discontinued	No

Attribute	Value
Size	30-10
Color	Nickel-plated
Finish	Polished
Material	Alloy Steel
Number of Package Items	1
Number of Items	1
Batteries Included?	No
Batteries Required?	No
ASIN	B00SP90PVC
First Available Date	February 16, 2015
Brand	Tesa Assa Abloy
Item Dimensions LxWxH	40 x 17 x 33 millimeters
Number of Parts	1
Surface Treatment Type	Polished
Global Trade Item Number (GTIN)	08414625330787

9. WARRANTY AND SUPPORT

Tesa Assa Abloy products are manufactured to high standards and are designed for durability. For information regarding product warranty, please refer to the warranty card included with your purchase or visit the official Tesa Assa Abloy website.

For technical support, replacement parts, or further assistance, please contact your local Tesa Assa Abloy distributor or customer service. When contacting support, please have your product model number (TE5R3010N) and purchase details ready.