

## Manuals+

[Q & A](#) | [Deep Search](#) | [Upload](#)

manuals.plus /

> [GROHE](#) /

> [GROHE Grohtherm 800 34558000 Thermostatic Shower Mixer Tap User Manual](#)

## GROHE 34558000

# GROHE Grohtherm 800 34558000 Thermostatic Shower Mixer Tap User Manual

Your guide to safe installation, operation, and maintenance.

## 1. INTRODUCTION

This manual provides essential information for the safe and efficient installation, operation, and maintenance of your GROHE Grohtherm 800 Thermostatic Shower Mixer Tap. This product is designed to deliver a consistent water temperature and flow, enhancing your showering experience while incorporating water-saving and safety features.

Key features include thermostatic temperature control, GROHE SafeStop for preventing scalding, and GROHE EcoJoy for reduced water consumption.



Figure 1: GROHE Grohtherm 800 Thermostatic Shower Mixer Tap

## 2. SAFETY INFORMATION

- **Water Temperature:** The GROHE SafeStop feature limits the water temperature to 38°C (100.4°F) to prevent accidental scalding. This limit can be overridden by pressing a button on the handle, allowing for higher

temperatures if desired. Exercise caution when adjusting temperatures above 38°C.

- **Professional Installation:** Installation should be performed by a qualified professional to ensure proper function and compliance with local plumbing codes.
- **Water Supply:** Ensure the main water supply is turned off before beginning any installation or maintenance work.
- **Minimum Flow Pressure:** A minimum flow pressure of 1.0 bar is required for optimal performance.
- **Backflow Prevention:** The mixer includes built-in backflow preventers to protect your water supply.

### 3. PACKAGE CONTENTS

Verify that all components are present before beginning installation:

- GROHE Grohtherm 800 Thermostatic Shower Mixer Tap
- S-connectors (for wall mounting)
- Metal rosettes
- Dirt trap sieves
- Mounting material
- Instruction manual



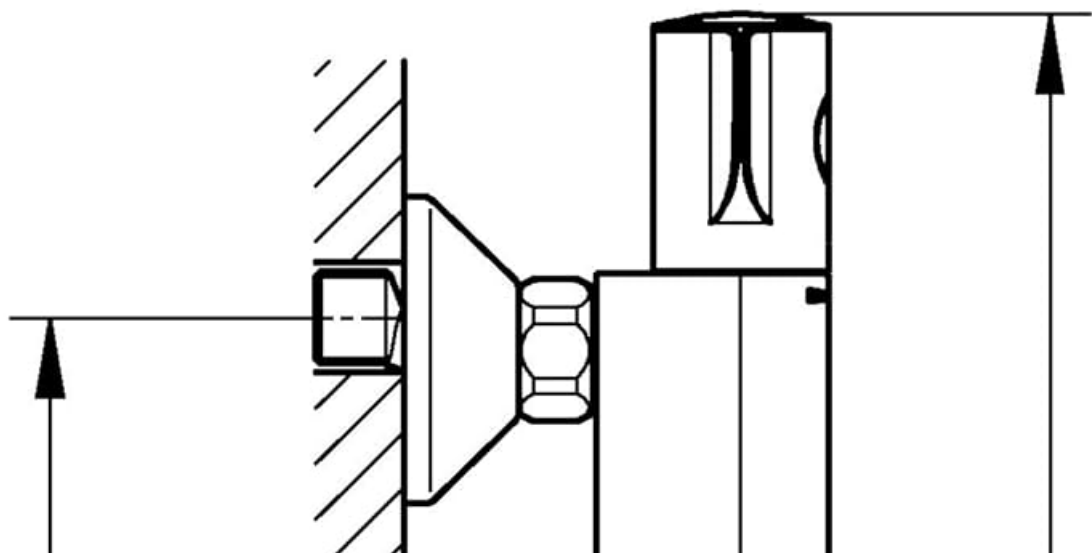
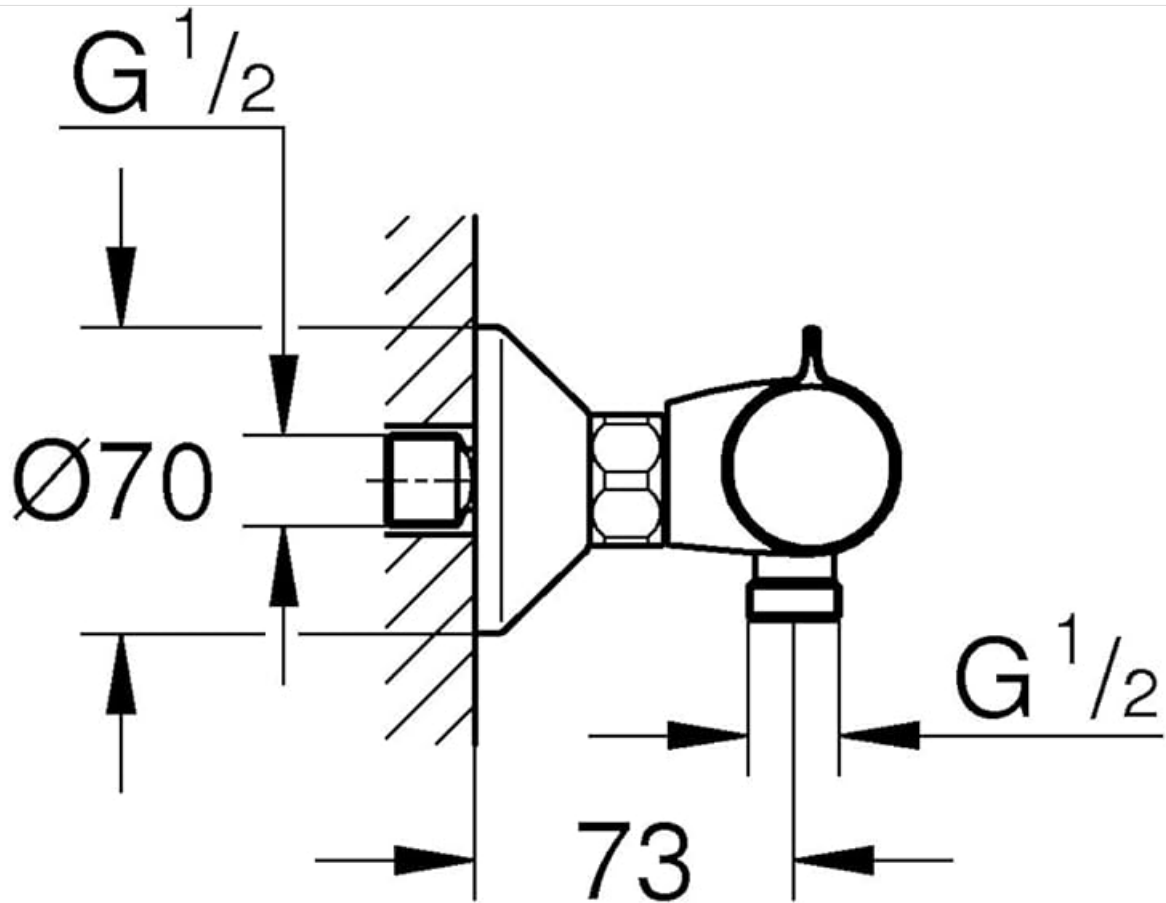
DE: Änderungen vorbehalten / EN: Subject to Change / FR: Sous réserve de modifications / ES: Sujeto a cambios / IT: Soggetto a modifiche / NL: Onder voorbehoud van eventuele wijzigingen / DK: Med forbehold for ændringer / PL: Temat do zmiany / GR: Υπόκειται σε αλλαγές / RUS: Возможны изменения / UA: Можливі зміни / RO: Sub rezerva modificărilor ulterioare / PT: Sujeito a alterações

Figure 2: Included components

#### 4. SPECIFICATIONS

| Feature       | Specification                   |
|---------------|---------------------------------|
| Brand         | GROHE                           |
| Model Name    | Grohtherm 800                   |
| Part Number   | 34558000                        |
| Material      | Brass                           |
| Finish Type   | Polished Chrome                 |
| Mounting Type | Wall mounting (surface-mounted) |

|                    |  |
|--------------------|--|
| Number of Handles  | 2  |
| Product Dimensions | 15.35"D x 5.12"W x 3.54"H (approx.)  |
| Item Weight        | 2.49 pounds (1130 Grams)   |
| Special Features   | GROHE EcoJoy (water-saving), GROHE SafeStop (38°C safety lock), GROHE TurboStat (thermostatic control) |
| Certification      | ASSE 1017, NSF/ANSI 372  |



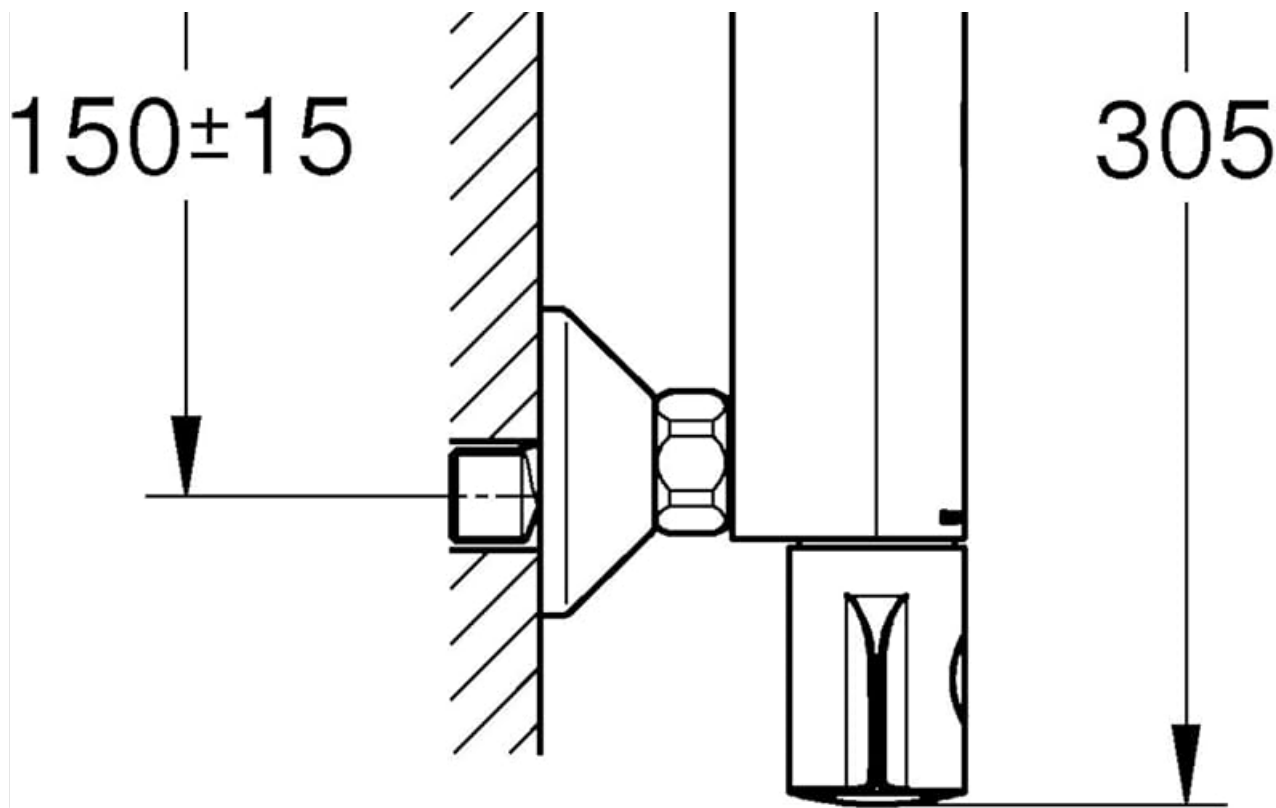


Figure 3: Technical drawing with dimensions

## 5. SETUP AND INSTALLATION

This section provides general guidance for the installation of your thermostatic shower mixer. It is highly recommended that installation be carried out by a qualified plumber.

1. **Prepare the Installation Area:** Ensure the wall surface is clean, stable, and prepared for wall mounting. Turn off the main water supply.
2. **Install S-connectors:** Securely install the S-connectors into the wall water outlets. Ensure they are level and correctly spaced (typically 150mm center-to-center). The built-in backflow preventers and dirt trap sieves should be correctly positioned within the S-connectors.
3. **Attach Rosettes:** Place the metal rosettes over the S-connectors, flush against the wall.
4. **Mount the Mixer:** Carefully attach the thermostatic mixer to the S-connectors. Hand-tighten first, then use an appropriate wrench to secure, ensuring not to overtighten.
5. **Check for Leaks:** Once installed, slowly turn on the main water supply and check all connections for leaks.
6. **Temperature Calibration (if necessary):** After installation, you may need to calibrate the thermostat to ensure the 38°C safety stop is accurate for your water supply. Refer to the detailed instructions provided in the product packaging for specific calibration steps.

**Note:** The mixer is designed for wall mounting and includes integrated backflow preventers and dirt trap sieves for protection and longevity.

## 6. OPERATING INSTRUCTIONS

Your GROHE Grohtherm 800 mixer features two main controls: one for temperature and one for water flow.

- **Temperature Control:** The right handle controls the water temperature. Rotate it to adjust. The 38°C (100.4°F) safety stop is clearly marked and requires a button press to exceed, preventing accidental scalding.
- **Water Flow Control:** The left handle controls the water flow rate. Rotate it to increase or decrease the flow. This handle also features the GROHE EcoButton, which allows you to reduce water consumption by up to 50% while maintaining performance. Press the EcoButton to engage the water-saving stop, or press and turn further to achieve maximum flow.



Figure 4: Mixer in use, showing water droplets



Figure 5: Mixer delivering water

## 7. MAINTENANCE AND CLEANING

To ensure the longevity and optimal performance of your GROHE Grotherm 800 mixer, follow these maintenance guidelines:

- **Cleaning the Surface:** Clean the chrome surface regularly with a soft cloth and a mild, non-abrasive cleaning agent. Avoid using harsh chemicals, abrasive pads, or cleaners containing alcohol, acid, or ammonia, as these can damage the finish.
- **Dirt Trap Sieves:** Periodically check and clean the dirt trap sieves located within the S-connectors. Accumulation of debris can affect water flow and pressure. Turn off the water supply before removing and cleaning the sieves.
- **Thermostatic Cartridge:** If you notice inconsistent temperature control, the thermostatic cartridge may require servicing or replacement. This should be performed by a qualified professional.

## 8. TROUBLESHOOTING

If you encounter issues with your shower mixer, consider the following common troubleshooting steps:

- **No Water Flow or Low Pressure:**

- Check if the main water supply is fully open.
- Inspect and clean the dirt trap sieves in the S-connectors for blockages.
- Ensure there are no kinks or obstructions in the water lines.

- **Inconsistent Water Temperature:**

- Verify that both hot and cold water supplies are active and at adequate pressure.
- The thermostatic cartridge may need recalibration or replacement. Consult a professional.

- **Water Leaks from Connections:**

- Ensure all connections are securely tightened. Do not overtighten.
- Check the condition of washers and seals; replace if worn.

If problems persist after attempting these steps, contact GROHE customer support or a certified plumber.

## 9. WARRANTY AND SUPPORT

For detailed warranty information regarding your GROHE Grohtherm 800 Thermostatic Shower Mixer Tap, please refer to the warranty card included with your product or visit the official GROHE website. GROHE products are manufactured to high-quality standards and are backed by customer support.

If you require technical assistance, spare parts, or have questions not covered in this manual, please contact GROHE customer service through their official website or the contact information provided in your product packaging.

**GROHE Website:** [www.grohe.com](http://www.grohe.com)