

## Manuals+

[Q & A](#) | [Deep Search](#) | [Upload](#)

manuals.plus /

> [GROHE](#) /

> [GROHE 1000 2-Handle Thermostatic Bath/Shower Valve Trim \(Model 34159003\) Instruction Manual](#)

## GROHE 34159003

# GROHE 1000 2-Handle Thermostatic Bath/Shower Valve Trim (Model 34159003) Instruction Manual

Your guide to installation, operation, and maintenance for optimal performance.

## 1. PRODUCT OVERVIEW

The GROHE 1000 2-Handle Thermostatic Bath/Shower Valve Trim (Model 34159003) is designed to provide precise temperature control and a comfortable showering experience. This trim kit is intended for use with a compatible GROHE thermostatic rough-in valve (sold separately). It features two handles for independent control of water temperature and flow, ensuring safety and convenience.



Image 1: Front view of the GROHE 1000 Thermostatic Bath/Shower Valve Trim in Chrome.

## 2. KEY FEATURES

- **GROHE StarLight Finish:** Provides scratch and tarnish-resistant surfaces for lasting beauty.
- **GROHE CoolTouch:** Features an innovative cooling channel to reduce the risk of scalding by ensuring the faucet body does not get hotter than the mixed water temperature.
- **GROHE TurboStat Technology:** Delivers water at a desired temperature within a fraction of a second and maintains it constantly for the duration of the shower.

- **GROHE EcoJoy:** Reduces water consumption by up to 50 percent without compromising performance.
- **MetalGrip Ergonomic Handle:** Designed for comfortable and secure operation.

**1/2" NPT-MIP**

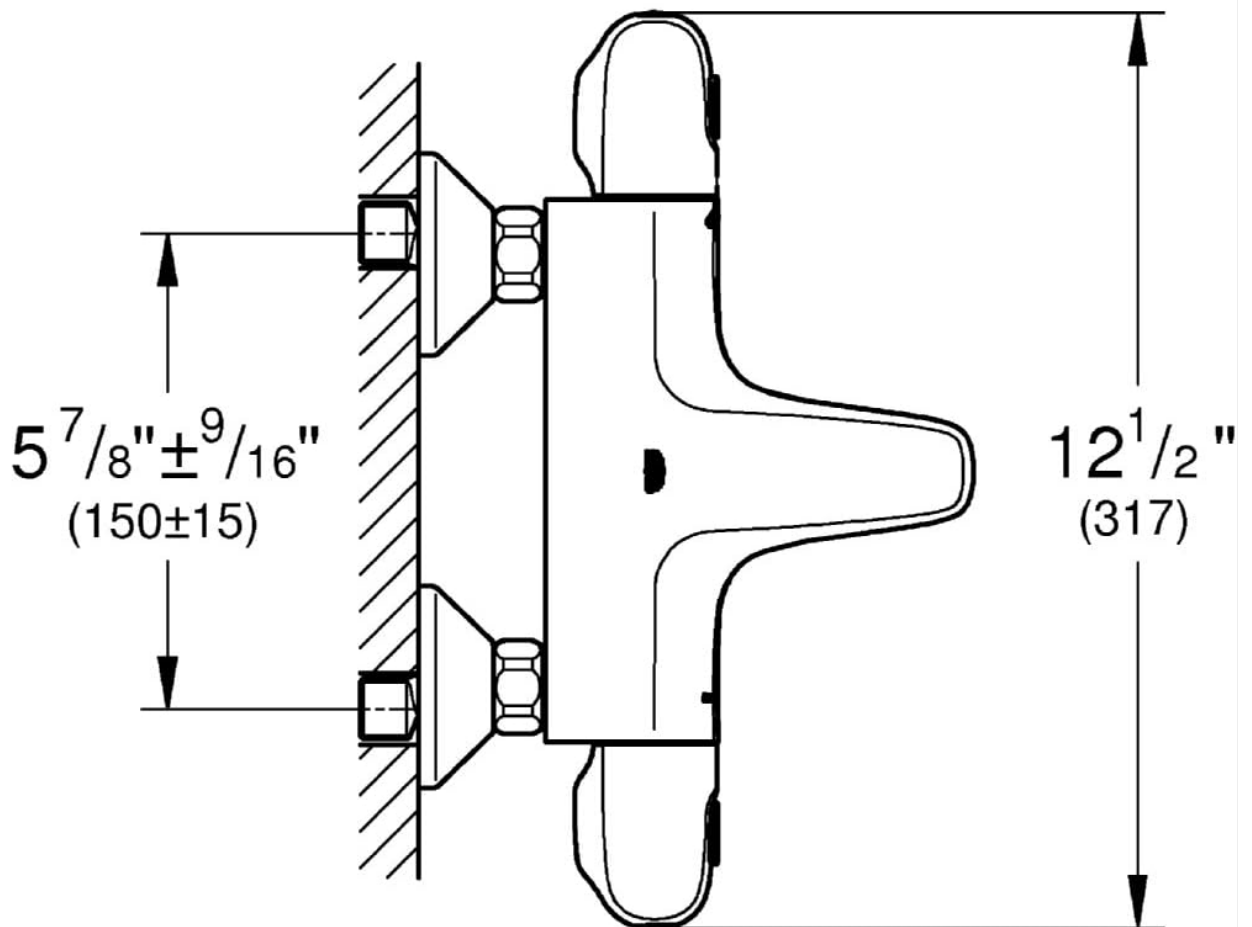
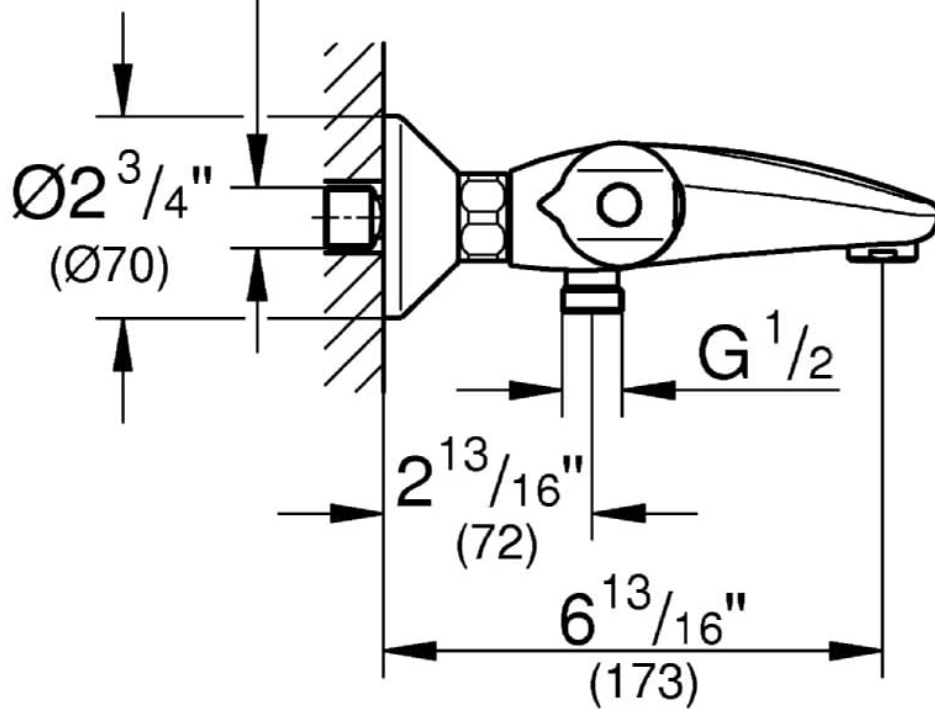


Image 2: Angled view highlighting the ergonomic handles and chrome finish of the valve trim.

### 3. SETUP AND INSTALLATION

Installation of the GROHE 1000 Thermostatic Bath/Shower Valve Trim requires a compatible GROHE thermostatic rough-in valve (e.g., GROHE Rapido T). Professional installation by a qualified plumber is highly recommended to ensure proper function and compliance with local plumbing codes.

### 3.1 Pre-Installation Checks

- Ensure the rough-in valve is correctly installed and secured within the wall.
- Verify that hot and cold water supplies are connected to the correct inlets on the rough-in valve.
- Confirm that the wall surface is prepared and clean for trim installation.

### 3.2 Installation Steps (General)

1. Refer to the specific installation instructions provided with your GROHE rough-in valve for detailed steps on preparing the valve for trim installation.
2. Attach the trim plate and handles according to the manufacturer's instructions, ensuring all seals are correctly seated to prevent leaks.
3. Secure the trim components using the provided fasteners.
4. Perform a leak test by slowly turning on the water supply and checking all connections.

*Note: The S-union connections for European fixtures may require specific sealing techniques. Use the provided thread sealing cord or appropriate sealant as per manufacturer guidelines to prevent leaks.*



Image 3: Technical diagram illustrating the dimensions and connection points for the valve trim.

## 4. OPERATING INSTRUCTIONS

The GROHE 1000 Thermostatic Valve Trim features two handles for intuitive control:

- **Left Handle (Temperature Control):** Rotate this handle to adjust the water temperature. The integrated GROHE TurboStat technology will maintain your selected temperature consistently. A safety stop is typically set at 38°C (100°F) to prevent accidental scalding. To exceed this temperature, press the safety button and continue rotating the handle.
- **Right Handle (Flow Control/Diverter):** Rotate this handle to turn the water on/off and adjust the flow volume. If your system includes a diverter, this handle may also be used to switch between bath filler and showerhead outputs.



Image 4: The GROHE 1000 valve trim installed, showing the temperature and flow control handles.

## 5. MAINTENANCE

To maintain the appearance and functionality of your GROHE 1000 Thermostatic Valve Trim, follow these guidelines:

- **Cleaning:** Clean the chrome surfaces regularly with a soft cloth and a mild, non-abrasive cleaner. Avoid using harsh chemicals, abrasive sponges, or cleaners containing alcohol, acid, or ammonia, as these can damage the finish.
- **Temperature Calibration:** If the water temperature is not as expected, the thermostatic cartridge may need recalibration. Refer to the detailed instructions in the full product manual or contact GROHE customer support for guidance.
- **Hard Water Areas:** In areas with hard water, mineral deposits may accumulate. Regular cleaning helps prevent buildup. If flow is reduced, the aerator or showerhead may need descaling.

## 6. TROUBLESHOOTING

This section addresses common issues you might encounter with your thermostatic valve trim.

## 6.1 No Water Flow or Low Flow

- **Check Water Supply:** Ensure both hot and cold water supplies to the valve are fully open.
- **Clogged Filters:** The rough-in valve may have integrated filters that can become clogged with debris. Consult a professional plumber to inspect and clean these filters.
- **Aerator/Showerhead:** If only the showerhead or bath spout has low flow, check for mineral buildup in the aerator or showerhead and clean as necessary.

## 6.2 Inconsistent Water Temperature

- **Temperature Calibration:** The thermostatic cartridge might require recalibration. This typically involves removing the temperature handle and adjusting a setting. Refer to the full product manual or contact GROHE support.
- **Water Pressure Fluctuations:** Significant changes in household water pressure can affect thermostatic performance. Ensure stable water pressure.
- **Hot Water Supply:** Verify that your hot water heater is functioning correctly and providing sufficient hot water.

## 6.3 Leaks

- **Connection Points:** Check all visible connection points for tightness. Do not overtighten.
- **Seals/Gaskets:** Worn or improperly seated seals/gaskets can cause leaks. If a leak persists, professional inspection and replacement of internal components may be necessary.

For issues not resolved by these steps, or for complex repairs, it is recommended to contact a qualified plumber or GROHE customer service.

## 7. SPECIFICATIONS

Specification	Detail
Brand	GROHE
Model Name	1000 (34159003)
Type	2-Handle Thermostatic Bath/Shower Valve Trim
Finish Type	Chrome (GROHE StarLight)
Material	Metal (Brass handles)
Mounting Type	Wall Mount
Number of Handles	2
Hole Count	2
Installation Type	Wall Mounted (Requires separate rough-in valve)
Product Dimensions	15.16 x 7.87 x 3.35 inches
Item Weight	1 pounds

## 8. WARRANTY AND SUPPORT

The GROHE 1000 2-Handle Thermostatic Bath/Shower Valve Trim is covered by a **Limited Warranty**. For specific details regarding warranty coverage, terms, and conditions, please refer to the warranty documentation included with your product or visit the official GROHE website.

For technical assistance, troubleshooting, or to inquire about replacement parts, please contact GROHE customer support. Contact information can typically be found on the GROHE website or in the packaging materials.

**Manufacturer:** GROHE