

[Manuals.plus](#) /

› [South Shore](#) /

› South Shore Morgan 2-Door Storage Cabinet Instruction Manual

South Shore 7260722 Morgan

South Shore Morgan 2-Door Storage Cabinet Instruction Manual

Model: 7260722 Morgan | Brand: South Shore

1. PRODUCT OVERVIEW

The South Shore Morgan 2-Door Storage Cabinet in Pure White is designed for versatile storage. It features two doors with metal handles in a black finish, concealing two storage spaces separated by one adjustable shelf. This cabinet is suitable for various rooms including offices, bedrooms, basements, entryways, or garages.



Image: The South Shore Morgan 2-Door Storage Cabinet in Pure White, showcasing its clean design.

Key Features:

- Constructed from laminated particleboard.
- Metal handles with a black finish.
- Two internal storage spaces with one adjustable shelf.
- Made in North America with non-toxic materials.

2. SETUP AND ASSEMBLY

This storage cabinet requires complete assembly. It is recommended that two adults perform the assembly. Tools are not included. A step-by-step guide is provided with your furniture pieces to facilitate the process.

Assembly Video Guide:

Your browser does not support the video tag.

Video: Official South Shore Assembly Guide. This video provides visual instructions for assembling South Shore furniture, demonstrating the general process and tools required.



Image: Two individuals working together to assemble furniture, emphasizing that assembly is required.

Product Dimensions:

Ensure you have adequate space for the assembled cabinet. The dimensions are approximately 32.88 inches (W) x 19.38 inches (D) x 32.5 inches (H).

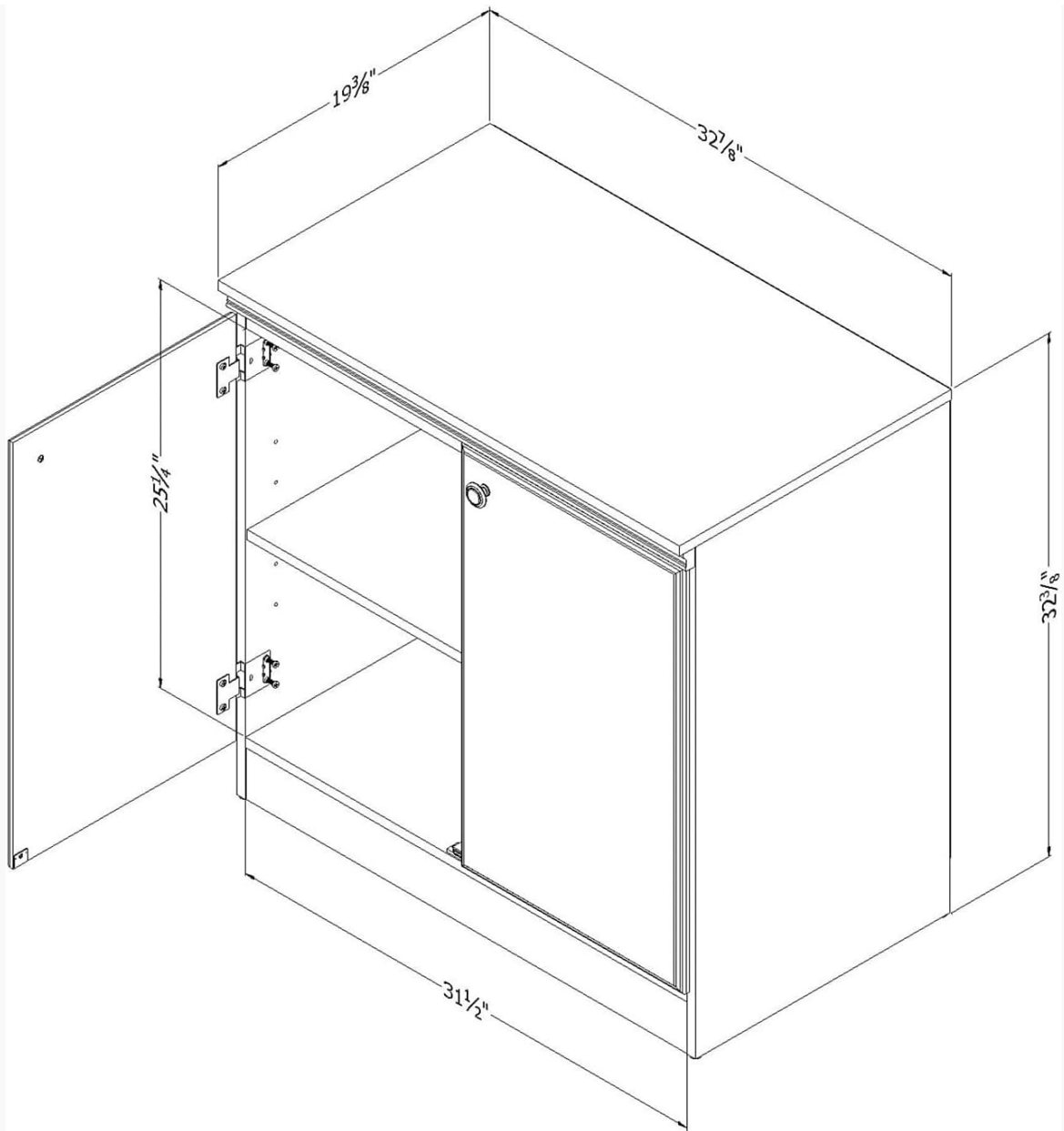


Image: A technical drawing illustrating the precise dimensions of the storage cabinet.

3. OPERATING INSTRUCTIONS

The Morgan 2-Door Storage Cabinet is designed for straightforward use. Open the two front doors to access the interior storage compartments. The single adjustable shelf allows for customization of storage space to accommodate items of varying heights. Simply lift and reposition the shelf supports to adjust its height.



Image: An interior view of the cabinet, showing the adjustable shelf and potential storage capacity.

4. MAINTENANCE

To maintain the appearance and longevity of your South Shore Morgan Storage Cabinet, wipe it with a dry cloth regularly. Avoid using harsh chemicals or abrasive cleaners, as these may damage the finish.

5. TROUBLESHOOTING

If you encounter any issues during assembly or use, please review the assembly instructions provided with your product. Common issues and their solutions include:

- **Loose connections:** Ensure all screws and fasteners are tightened securely. Do not overtighten.
- **Misaligned doors:** Check that hinges are correctly installed and adjusted. Minor adjustments can often correct door alignment.
- **Missing parts:** Refer to the parts list in your assembly manual. Contact South Shore customer service if any parts are missing.

6. SPECIFICATIONS

Attribute	Value
Brand	South Shore
Model Number	7260722
Model Name	Morgan
Color	Pure White
Material	Engineered Wood
Product Dimensions (D x W x H)	19.38"D x 32.88"W x 32.5"H
Item Weight	65 Pounds
Number of Doors	2
Number of Shelves	2 (1 adjustable)
Weight Capacity Maximum	125 Pounds
Assembly Required	Yes

7. WARRANTY AND SUPPORT

South Shore offers a 5-year quality guarantee on this product. For detailed warranty information, please refer to the product description or the store page where you purchased the item.

Customer Service:

Should you have any questions, need assistance with assembly, or require support, you can contact South Shore customer service. They are available 7 days a week by phone, email, or chat.

Quality Assurance:

South Shore furniture is made in North America and undergoes rigorous testing to ensure durability and safe delivery. Products are ISTA 3A compliant, meaning they pass extensive drop and vibration tests to simulate shipping conditions.

Your browser does not support the video tag.

Video: South Shore ISTA Lab Testing. This video demonstrates the packaging and product testing procedures conducted by South Shore to ensure product integrity during shipping.