

Manuals+

[Q & A](#) | [Deep Search](#) | [Upload](#)

Manuals.plus /

› [Outsunny](#) /

› Outsunny 4' Arm Manual Retractable Sun Shade Patio Window Awning User Manual

Outsunny 01-0689

Outsunny 4' Arm Manual Retractable Sun Shade Patio Window Awning

MODEL: 01-0689

1. Product Overview

The Outsunny 4' Arm Manual Retractable Sun Shade Patio Window Awning is designed to provide effective sun protection and reduce heat gain in your home or outdoor space. This manually operated awning requires no electricity, offering a simple and efficient solution for shade. Its durable polyester fabric and aluminum frame ensure longevity and reliable performance.

Key Features:

- Manual operation for easy extension and retraction without electricity.
- Quick and quiet operation.
- UV and sun protection to keep your space cooler and reduce interior sun damage.
- Easy installation with pre-drilled holes and included mounting hardware.
- Adjustable angle from 0 to 120 degrees for optimal shade coverage.



Figure 1: The Outsunny 4' Arm Manual Retractable Awning in its fully extended position, showcasing its design and coverage.

2. Safety Information

Please read and understand all instructions before installation and use. Failure to follow these instructions may result in injury or product damage.

- Always ensure the mounting surface (wall, door frame) is structurally sound and capable of supporting the awning's weight and any wind loads.
- Use appropriate tools and safety gear during installation.
- Retract the awning during strong winds, heavy rain, snow, or other adverse weather conditions to prevent damage to the awning and property.
- Keep children and pets away from the awning during operation.
- Do not hang objects from the awning frame or fabric.
- Regularly inspect all mounting hardware and components for tightness and wear.

3. Package Contents

Verify that all components are present before beginning installation. If any parts are missing or damaged, contact customer support.

- Awning Assembly (Fabric, Roller, Arms)
- Mounting Brackets
- Mounting Hardware (Screws, Anchors)
- Manual Operation Rope and Cleat
- Instruction Manual

4. Setup and Installation

The Outsunny awning is designed for quick and easy installation on walls or above doors. Ensure you have the necessary tools (drill, level, measuring tape, wrench) before starting.

1. **Choose Location:** Select a suitable mounting location on a sturdy wall or above a window/door. Consider the desired shade area and clearance. The awning requires a minimum clearance of 28 inches from the wall.
2. **Mark Mounting Points:** Hold the awning assembly against the wall at the desired height and use a level to ensure it is straight. Mark the positions for the mounting brackets. The pre-drilled holes on the awning frame indicate where the brackets should align.
3. **Drill Pilot Holes:** Drill pilot holes at the marked locations using a drill bit appropriate for your wall material. Insert wall anchors if necessary.
4. **Attach Mounting Brackets:** Securely fasten the mounting brackets to the wall using the provided screws and anchors. Ensure they are firmly attached and level.
5. **Mount Awning Assembly:** Carefully lift the awning assembly and slide it into the mounted brackets. Ensure it is seated correctly and securely.
6. **Secure Awning:** Use the provided hold-down screws to secure the awning within the brackets, preventing lateral movement.
7. **Install Operation Rope and Cleat:** Attach the manual operation rope to the designated point on the awning. Install the cleat on the wall at a convenient height for securing the rope.
8. **Adjust Angle:** The awning arms allow for an adjustable angle from 0 to 120 degrees. Adjust the angle to achieve optimal sun protection by loosening and tightening the arm attachment bolts as shown in Figure 3.

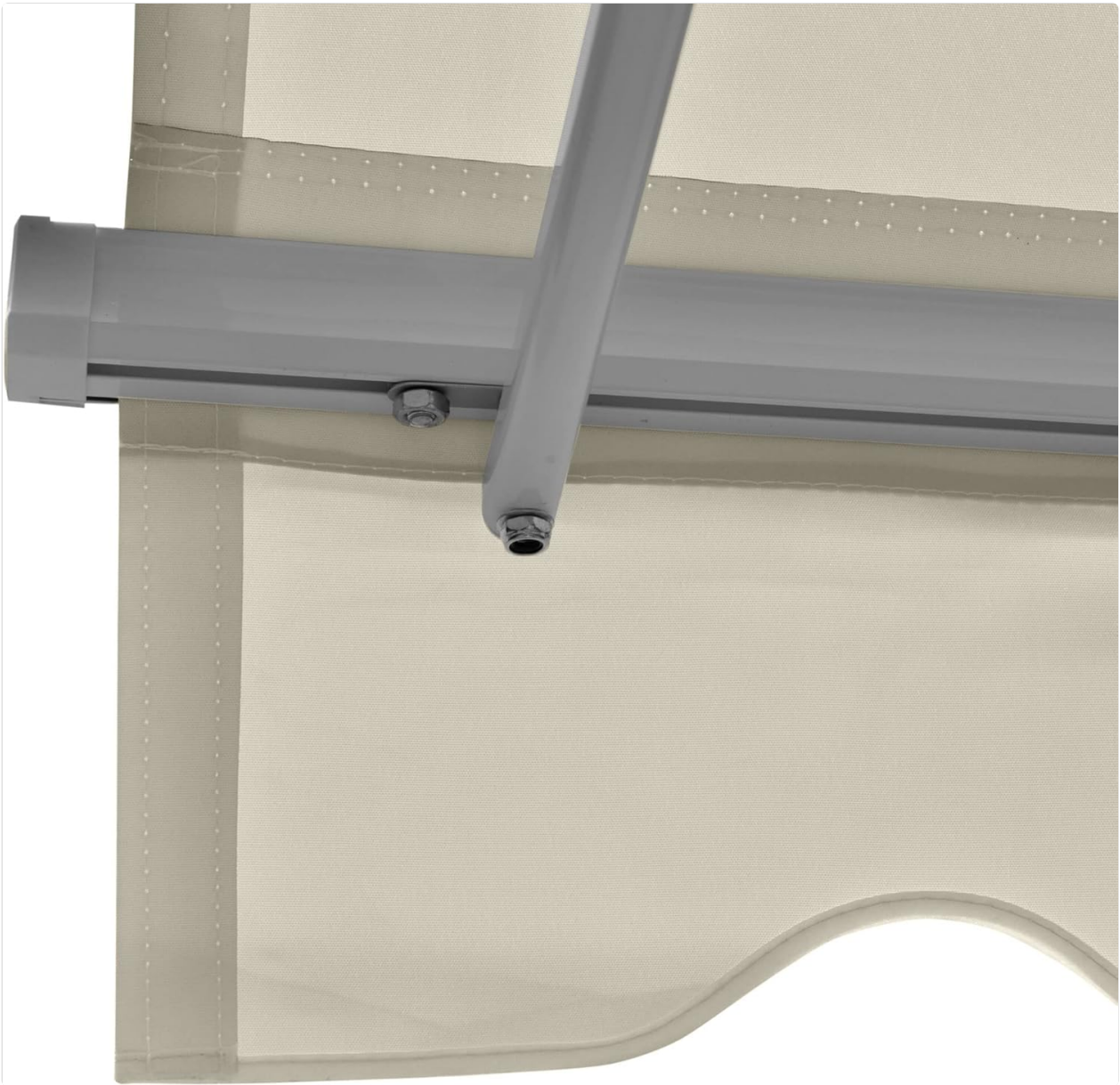
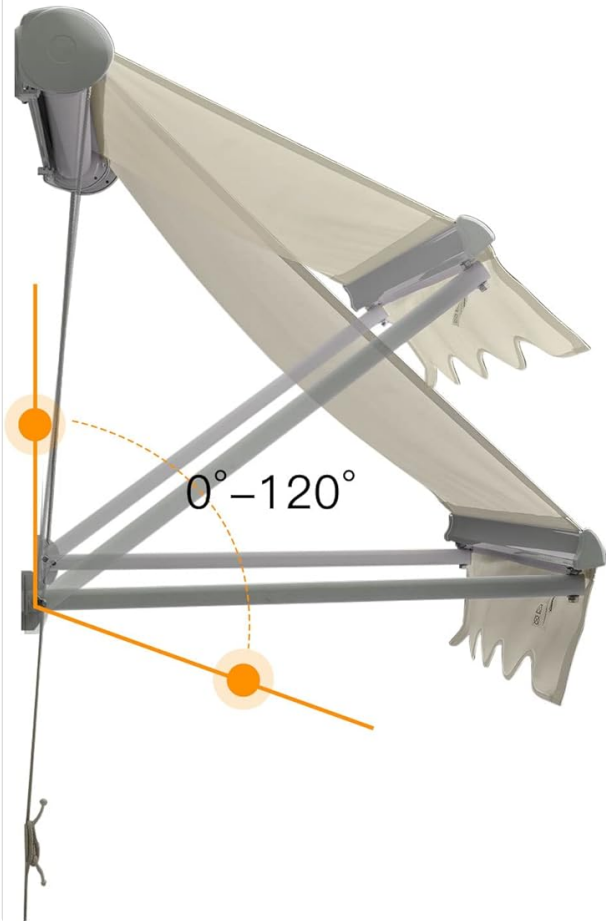


Figure 2: Detail of the arm attachment point, showing how the awning connects to the wall bracket.



Adjustable Angle
0° to 120°
provide more sunshade

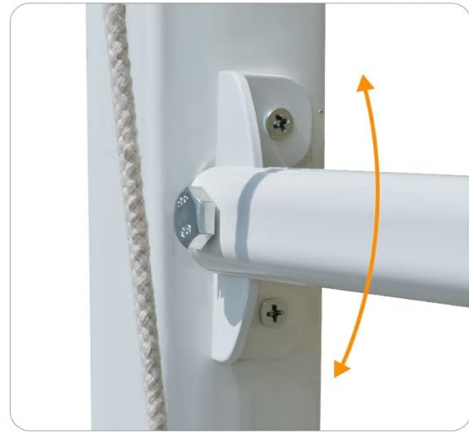


Figure 3: Illustration of the adjustable angle feature, allowing the awning to be positioned between 0 and 120 degrees for varied sun coverage.



Figure 4: Dimensional drawing of the awning, indicating a length of 47.25 inches and a projection of 27.5 inches.

5. Operation

The awning is operated manually using the attached rope system.

1. **To Extend:** Gently pull the rope downwards to extend the awning. The arms will smoothly unfold, and the fabric will unroll. Continue pulling until the awning reaches the desired extension or its maximum projection.
2. **To Retract:** Release the rope slowly, allowing the awning to retract back towards the wall. The arms will fold, and the fabric will roll up onto the roller. Secure the rope around the wall cleat to hold the awning in place when fully retracted or at a desired partial extension.

Manual retractable window awning with easy opening and closing



Figure 5: The manual operation rope and cleat, used to extend and retract the awning.

6. Maintenance

Regular maintenance will prolong the life and appearance of your awning.

- **Cleaning:** Clean the fabric regularly with mild soap and water. Use a soft brush or sponge. Rinse thoroughly with clean water and allow to air dry completely before retracting. Do not use harsh chemicals or abrasive cleaners.
- **Hardware Inspection:** Periodically check all bolts, screws, and mounting hardware for tightness. Tighten any loose fasteners.
- **Weather Protection:** Always retract the awning during strong winds, heavy rain, snow, or when not in use for extended periods. This prevents damage to the fabric and frame.
- **Lubrication:** Occasionally apply a silicone-based lubricant to moving parts of the arms and roller mechanism to ensure smooth operation.

7. Troubleshooting

Refer to this section for common issues and their solutions.

Problem	Possible Cause	Solution
Awning difficult to extend or retract.	Moving parts are dry or dirty; rope is tangled.	Clean and lubricate moving parts. Untangle the rope.
Awning sags or is not level.	Mounting brackets are loose or not level; arms are not adjusted evenly.	Check and tighten mounting hardware. Re-level the awning and adjust arm angles evenly.
Fabric is dirty or stained.	Exposure to elements; lack of regular cleaning.	Clean fabric with mild soap and water. For stubborn stains, consult fabric care guidelines.

8. Specifications

Attribute	Value
Brand	Outsunny
Model Number	01-0689
Material	Steel, Polyester Cloth
Color	Cream
Size	4-Feet
Item Weight	9 Pounds
Product Dimensions	48.5 x 5.5 x 4.5 inches
Operation Mode	Manual
Projection Distance	28 Inches
Assembly Required	No (refers to main assembly, installation is required)
UPC	799932987939

9. Warranty and Support

For warranty information or technical support, please contact Outsunny customer service. Keep your purchase receipt as proof of purchase.

For further assistance, visit the [Outsunny Store on Amazon](#).