

[Manuals.plus](#) /

> [Schock](#) /

> SCHOCK SIGNUS D-150FBSBRO Inset Kitchen Sink User Manual, Bronze, 60 cm

Schock SIGD150FBSBRO

SCHOCK SIGNUS D-150FBSBRO Inset Kitchen Sink User Manual

Model: SIGD150FBSBRO

INTRODUCTION

This manual provides comprehensive instructions for the installation, operation, and maintenance of your SCHOCK SIGNUS D-150FBSBRO Cristadur inset kitchen sink. Please read this manual thoroughly before installation and use to ensure proper function and longevity of your product. Keep this manual for future reference.

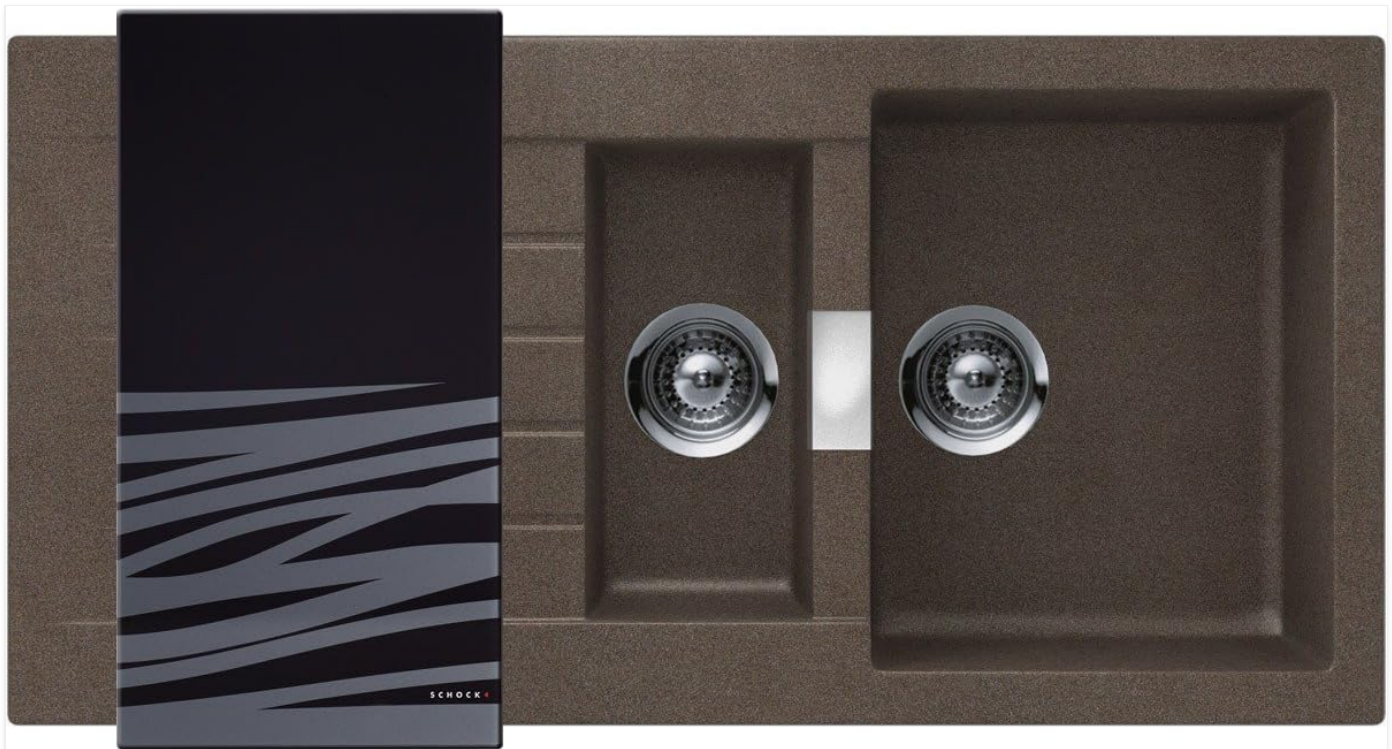


Figure 1: SCHOCK SIGNUS D-150FBSBRO Inset Kitchen Sink (Bronze)

SAFETY INFORMATION

Always observe the following safety precautions:

- Ensure all plumbing and electrical connections (if applicable for accessories) are performed by qualified professionals.
- Wear appropriate personal protective equipment (PPE) during installation, such as gloves and eye protection.
- Handle the sink with care to prevent damage or injury due to its weight and size.
- Do not use abrasive cleaners or harsh chemicals that could damage the sink's surface.
- Verify that the countertop material and structure can support the weight of the sink and its contents.

PACKAGE CONTENTS

Verify that all components are present and undamaged before beginning installation:

- SCHOCK SIGNUS D-150FBSBRO Kitchen Sink
- Cutting Board
- Waste Bowl / Colander
- Installation clips and seals
- Drain assembly components



Figure 2: Included Cutting Board

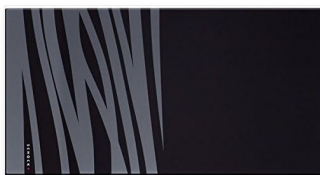


Figure 3: Included Waste Bowl / Colander

SETUP AND INSTALLATION

The SCHOCK SIGNUS D-150FBSBRO sink is designed for flush-mounted (inset) installation. Professional installation is recommended.

1. Prepare the Countertop

1. Ensure the countertop opening matches the sink's dimensions. Refer to the technical drawing for precise measurements.
2. Clean the edges of the cutout to ensure a smooth surface for sealing.

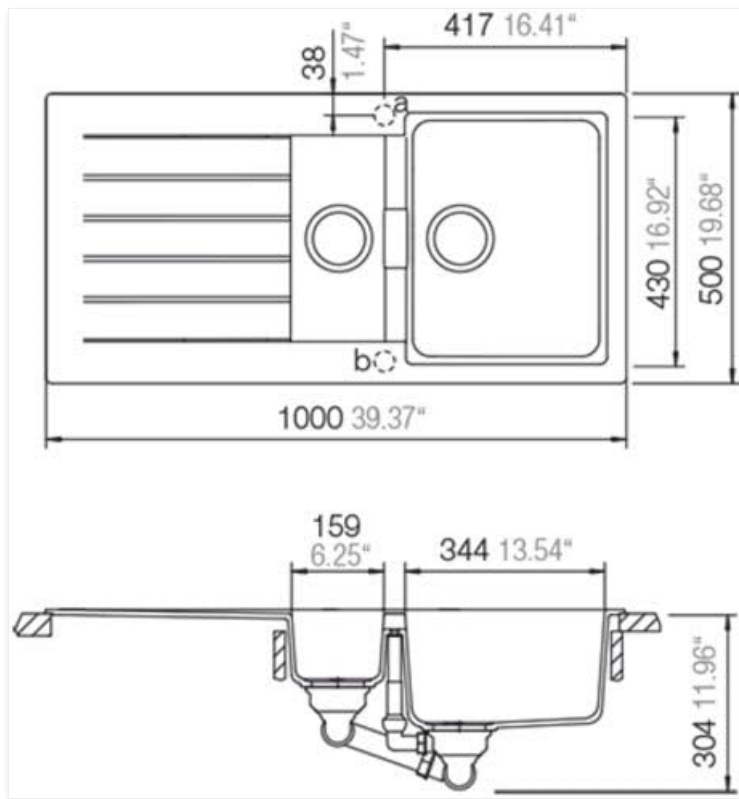


Figure 4: Technical Drawing with Dimensions

2. Install the Sink

1. Apply a suitable sealant (e.g., silicone) around the perimeter of the countertop cutout to create a watertight seal.
2. Carefully lower the sink into the opening, ensuring it is properly aligned.
3. Secure the sink using the provided installation clips. Tighten the clips evenly to ensure a snug fit without overtightening.

3. Connect Plumbing

1. Install the drain assemblies into the sink bowls according to the manufacturer's instructions for the specific drain components.
2. Connect the P-trap and waste pipes to the drain assemblies. Ensure all connections are watertight.
3. If installing a faucet, follow the faucet manufacturer's instructions for mounting and connecting water supply lines.



Figure 5: Sink installed in a countertop (top view)

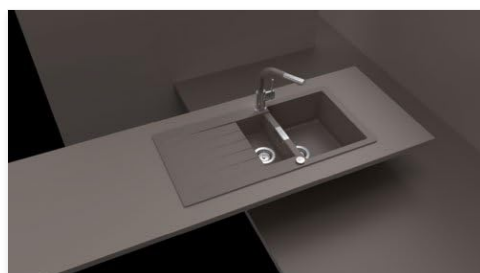


Figure 6: Sink installed in a countertop (angled view)

OPERATING INSTRUCTIONS

The SCHOCK SIGNUS D-150FBSBRO sink is designed for everyday kitchen use. Its Cristadur material offers high resistance to scratches, impacts, and heat.

- Use the main bowl for washing dishes and the smaller bowl for rinsing or food preparation.
- The integrated drainer area is suitable for air-drying dishes or preparing food.
- Utilize the included cutting board for food preparation directly over the sink, providing additional workspace and keeping your countertop clean.
- The waste bowl/colander can be used for draining pasta, washing fruits and vegetables, or collecting food scraps.

MAINTENANCE AND CARE

Proper care will maintain the appearance and performance of your Cristadur sink.

Daily Cleaning

- Wipe the sink clean with a soft cloth or sponge and mild dish soap after each use.
- Rinse thoroughly with water to remove all soap residue.
- Dry the sink with a soft cloth to prevent water spots, especially in hard water areas.

Stain Removal

- For stubborn stains, use a non-abrasive cleaner specifically designed for composite sinks.
- Apply the cleaner, let it sit for a few minutes (as per cleaner instructions), then scrub gently with a soft brush or sponge.
- Rinse thoroughly and dry.

Avoid

- Harsh chemicals, strong acids, or alkalis (e.g., oven cleaner, paint stripper).
- Abrasive scouring pads or steel wool, which can scratch the surface.
- Leaving highly pigmented foods (e.g., coffee, tea, red wine) or corrosive substances in the sink for extended periods.

TROUBLESHOOTING

Problem	Possible Cause	Solution
Water leakage around sink edge	Improper sealing or loose clips.	Check and re-apply sealant. Tighten installation clips evenly.
Slow draining	Drain blockage or improper drain assembly.	Clear any blockages in the drain or P-trap. Ensure drain assembly is correctly installed.
Water spots/mineral deposits	Hard water residue.	Regularly dry the sink after use. Use a mild descaling agent or vinegar solution for stubborn deposits, then rinse thoroughly.
Surface discoloration	Stains from food or chemicals.	Refer to the "Stain Removal" section in Maintenance. Avoid leaving highly pigmented substances in the sink.

SPECIFICATIONS

-
- **Model:** SCHOCK SIGNUS D-150FBSBRO (SIGD150FBSBRO)
 - **Type:** Inset Kitchen Sink
 - **Material:** Cristadur (Quartz Composite)
 - **Color:** Bronze
 - **Overall Dimensions (L x W x H):** 100 x 50 x 30.4 cm (39.37 x 19.68 x 11.96 inches)
 - **Weight:** 24.7 kg
 - **Installation Type:** Flush-mounted / Inset
 - **Shape:** Rectangular
 - **Drain Type:** Grid
 - **Included Components:** Kitchen sink, cutting board, waste bowl/colander, installation clips, drain assembly.
 - **Reversible:** Yes

WARRANTY AND SUPPORT

For warranty information and customer support, please refer to the official SCHOCK website or contact your retailer. Keep your proof of purchase for warranty claims.

Manufacturer: Schock

Website: www.schock.de (Note: This is a general link and may not be specific to your region)

