

[Manuals.plus](#) /

> [Ideal Standard](#) /

> Ideal Standard A5011AA Ceramix 2000 Basin Mixer with Rigid Hoses Instruction Manual

## Ideal Standard A5011AA

# Ideal Standard A5011AA Ceramix 2000 Basin Mixer Instruction Manual

Model: A5011AA

## 1. INTRODUCTION

This manual provides essential information for the installation, operation, and maintenance of your Ideal Standard A5011AA Ceramix 2000 Basin Mixer. Please read these instructions carefully before installation and use to ensure proper function and longevity of the product. This mixer combines aesthetic design with advanced technology, featuring water-saving (Eko cartridge), energy-saving (Bluestart technology), and family safety (temperature limiter) solutions.

## 2. SAFETY INFORMATION

- Always turn off the main water supply before beginning any installation or maintenance work.
- If you are unsure about any step, consult a qualified plumber.
- Use appropriate tools and wear protective gear, such as safety glasses and gloves.
- Ensure all connections are secure to prevent leaks.

## 3. PACKAGE CONTENTS

Verify that all components are present before starting installation:

- Single-lever basin mixer with fixed spout
- Neoperl 24 x 1 aerator
- Waste control rod
- 1-1/4" waste plug
- Rigid connection hoses
- Fixing kit (including a long Allen key for installation)

## 4. SPECIFICATIONS

<b>Brand</b>	Ideal Standard
<b>Model Name</b>	A5011AA
<b>Material</b>	Ceramic (cartridge), Metal (handle)
<b>Finish</b>	Chrome
<b>Mounting Type</b>	Deck Mounted, Single-hole
<b>Number of Handles</b>	1 (Single-lever)
<b>Spout Design</b>	Traditional straight
<b>Cartridge Type</b>	47 mm Eko system ceramic disc cartridge
<b>Fixing System</b>	Ideal Standard Top&Fix (top-down fixing)
<b>Waste Type</b>	1-1/4" waste plug with control rod
<b>Weight</b>	2.13 kg

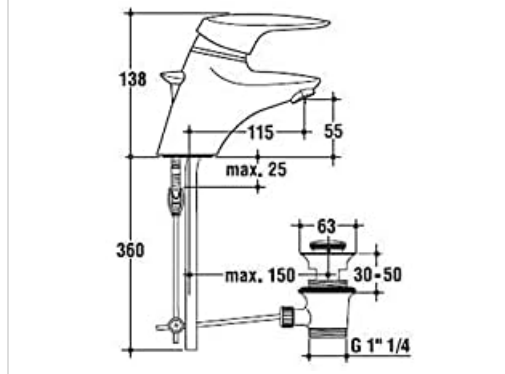
## 5. INSTALLATION

Before starting, ensure the water supply is turned off. Follow these steps for proper installation:

- 1. Prepare the Basin:** Ensure the mounting hole on your basin is clean and free of debris. The mixer is designed for a single-hole installation.
- 2. Mount the Mixer:** Insert the mixer into the basin hole. The exclusive Ideal Standard Top&Fix system allows for easy top-down fixing. Secure the mixer from underneath the basin using the provided fixing kit and long Allen key. Tighten firmly but do not overtighten.
- 3. Connect Water Hoses:** Connect the rigid hot and cold water supply hoses to the corresponding inlets on the mixer. Ensure a watertight seal using appropriate sealing materials if necessary. Connect the other ends of the hoses to your hot and cold water supply lines.
- 4. Install the Waste Plug:** Assemble the 1-1/4" waste plug and insert it into the basin's drain hole. Connect the waste control rod to the mechanism on the mixer. Ensure the waste operates smoothly.
- 5. Check for Leaks:** Once all connections are made, slowly turn on the main water supply. Check all connections for any signs of leaks. If leaks are detected, turn off the water supply and re-tighten the connections.

Miscelatore monocomando per lavabo dotato di bocca d'erogazione fissa, rompigitto Neoperl 24 x 1, asta di comando dello scarico, piletta da 1-1/4" e tubi rigidi. È dotato di cartuccia con sistema Eko da 47 mm e del sistema di fissaggio dall'alto esclusivo Ideal Standard Top&Fix.

A5011AA



This diagram illustrates the dimensions and components of the A5011AA basin mixer, including the overall height, spout reach, and waste assembly details. Key dimensions are 138mm (height to spout), 115mm (spout reach), and 360mm (total height including fixing).

## 6. OPERATION

The Ideal Standard A5011AA is a single-lever basin mixer, offering intuitive control over water flow and temperature.

- **Water Flow:** Lift the lever to increase water flow. Push it down to decrease or stop the flow.
- **Temperature Control:** Move the lever to the left for hot water and to the right for cold water. The mixer features Bluestart technology, which ensures that when the lever is in the central position, only cold water flows, saving energy.
- **Water Saving:** The Eko cartridge system helps reduce water consumption.
- **Temperature Limiter:** For added safety, especially in households with children, the mixer includes a temperature limiter to prevent scalding.
- **Waste Control:** Use the control rod located at the back of the mixer to open and close the waste plug.

## 7. MAINTENANCE

Regular cleaning and maintenance will ensure the longevity and optimal performance of your mixer.

- **Cleaning the Surface:** Clean the chrome finish regularly with a soft cloth and mild soap or a non-abrasive cleaner specifically designed for chrome. Avoid using abrasive sponges, harsh chemicals, or acidic cleaners, as these can damage the finish.
- **Cleaning the Aerator:** Periodically unscrew the Neoperl aerator from the spout and rinse it under running water to remove any mineral deposits or debris. Reattach it securely.
- **Cartridge Maintenance:** The ceramic disc cartridge is designed for durability. If you experience persistent dripping or difficulty controlling temperature, the cartridge may need inspection or replacement by a qualified professional.

## 8. TROUBLESHOOTING

Problem	Possible Cause	Solution
---------	----------------	----------

Low water flow	Clogged aerator; partially closed stopcock; debris in supply lines.	Clean the aerator. Ensure stopcocks are fully open. Flush supply lines if necessary.
Water dripping from spout	Worn or faulty ceramic cartridge.	Contact a qualified plumber for cartridge inspection or replacement.
Inconsistent water temperature	Issues with hot/cold water supply; faulty cartridge.	Check hot and cold water supply. If problem persists, consult a plumber for cartridge inspection.
Leakage at connections	Loose connections; damaged seals.	Turn off water supply and carefully re-tighten connections. Replace seals if damaged.

## 9. WARRANTY AND SUPPORT

Ideal Standard products are manufactured to high-quality standards and come with a manufacturer's warranty. For specific warranty terms and conditions, please refer to the documentation provided with your purchase or visit the official Ideal Standard website. For technical assistance, spare parts, or any other support inquiries, please contact Ideal Standard customer service.

**Contact Information:** Please visit [www.idealstandard.com](http://www.idealstandard.com) for local contact details and support resources.

