

[Manuals.plus](#) /

> [Lorell](#) /

> Lorell Mid-Back Swivel Mesh Chair LLR86904 Instruction Manual

## Lorell LLR86904

# Lorell Mid-Back Swivel Mesh Chair Instruction Manual

Model: LLR86904

## INTRODUCTION

This manual provides detailed instructions for the assembly, operation, maintenance, and troubleshooting of your Lorell Mid-Back Swivel Mesh Chair. Designed for ergonomic support and comfort, this chair features a breathable mesh back and seat, adjustable arms, and multiple adjustment mechanisms to customize your seating experience. Please read this manual thoroughly before assembly and use to ensure proper function and longevity of your chair.



*Image: Lorell Mid-Back Swivel Mesh Chair, showcasing its design and features.*

## SAFETY INFORMATION

- **Weight Capacity:** This chair is designed to support a maximum weight of **250 pounds (113 kg)**. Exceeding this limit may result in damage to the chair or personal injury.
- **Assembly:** Ensure all components are securely fastened before use. Periodically check all bolts and screws to ensure they remain tight.
- **Placement:** Use the chair on a level, stable surface. Avoid using the chair on uneven floors or surfaces that could cause instability.
- **Movement:** Do not stand on the chair. Avoid sudden, forceful movements while seated, especially when adjusting.
- **Children:** Keep children away from the chair during assembly. This chair is not a toy and should not be used by children without adult supervision.
- **Fire Safety:** The chair meets the CA117 fire-retardant standard. Keep the chair away from open flames or high heat sources.
- **Proposition 65 Warning:** This product may contain chemicals known to the State of California to cause cancer and birth defects or other reproductive harm.

## PACKAGE CONTENTS

---

Before beginning assembly, verify that all parts are present and undamaged. If any parts are missing or damaged, do not proceed with assembly. Contact customer support for assistance.

- Chair Back
- Chair Seat
- Armrests (2)
- Chair Base (5-star nylon)
- Casters (5)
- Gas Lift Cylinder
- Hardware Pack (screws, washers, Allen wrench)

## SETUP AND ASSEMBLY INSTRUCTIONS

---

Assembly is required for this chair. It is recommended to assemble the chair on a soft, clean surface to prevent scratching. Two people may be required for certain steps.

1. **Attach Casters to Base:** Insert each of the five casters into the holes at the end of each leg of the 5-star chair base. Push firmly until they click into place.
2. **Insert Gas Lift:** Place the gas lift cylinder into the center hole of the assembled chair base. Ensure it is seated firmly.
3. **Attach Armrests to Seat:** Align the armrests with the pre-drilled holes on the underside of the chair seat. Secure them using the provided screws and Allen wrench. Do not overtighten initially.
4. **Attach Chair Back to Seat:** Connect the chair back to the seat mechanism using the designated screws. Ensure the back is oriented correctly.
5. **Connect Seat Assembly to Gas Lift:** Carefully place the assembled seat and back onto the gas lift cylinder, ensuring the center mechanism hole aligns with the top of the gas lift. Apply downward pressure to secure.
6. **Final Tightening:** Once all components are in place, tighten all screws securely.



*Image: Front view of the fully assembled chair.*

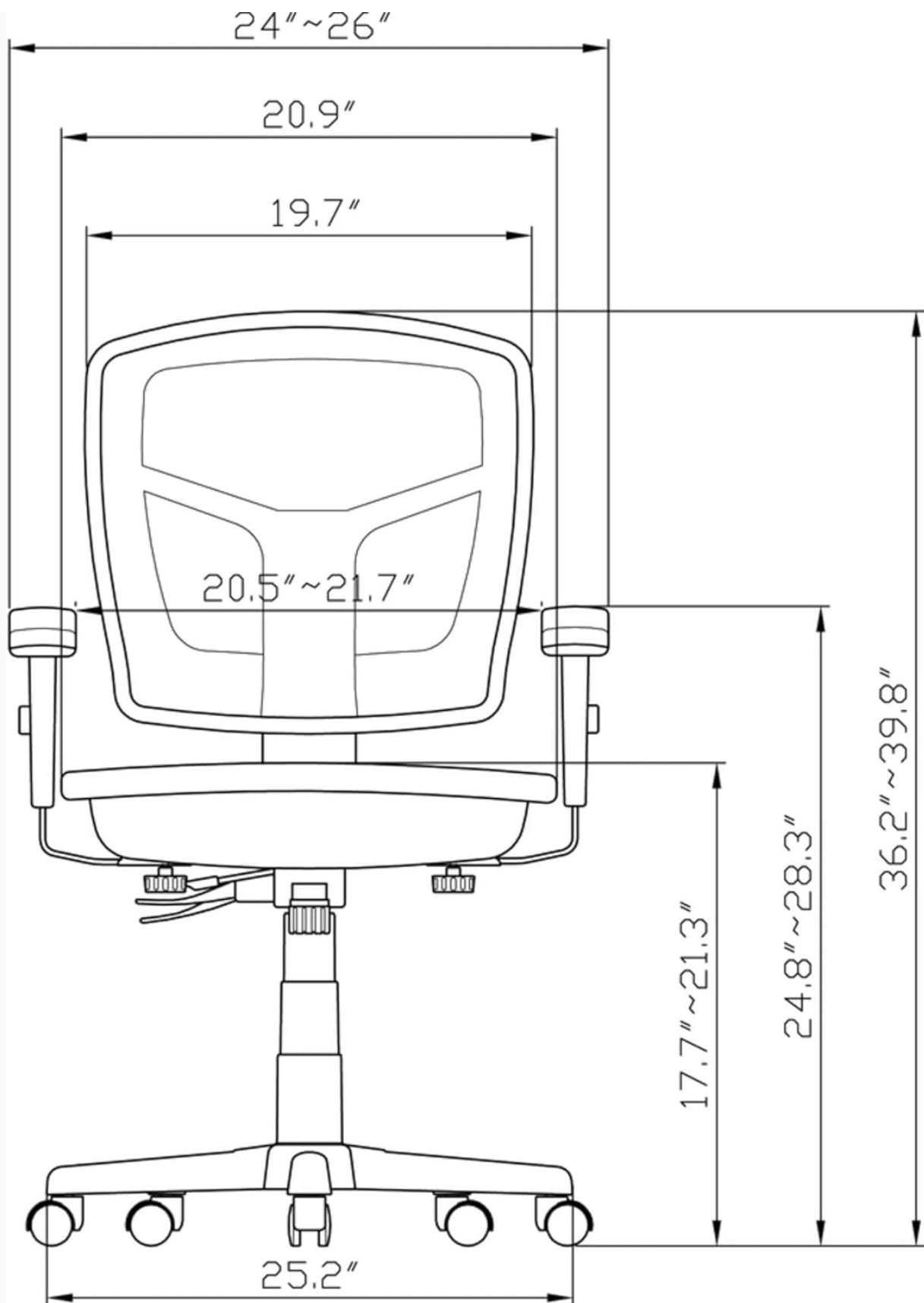


Image: Side view of the fully assembled chair, showing its profile.

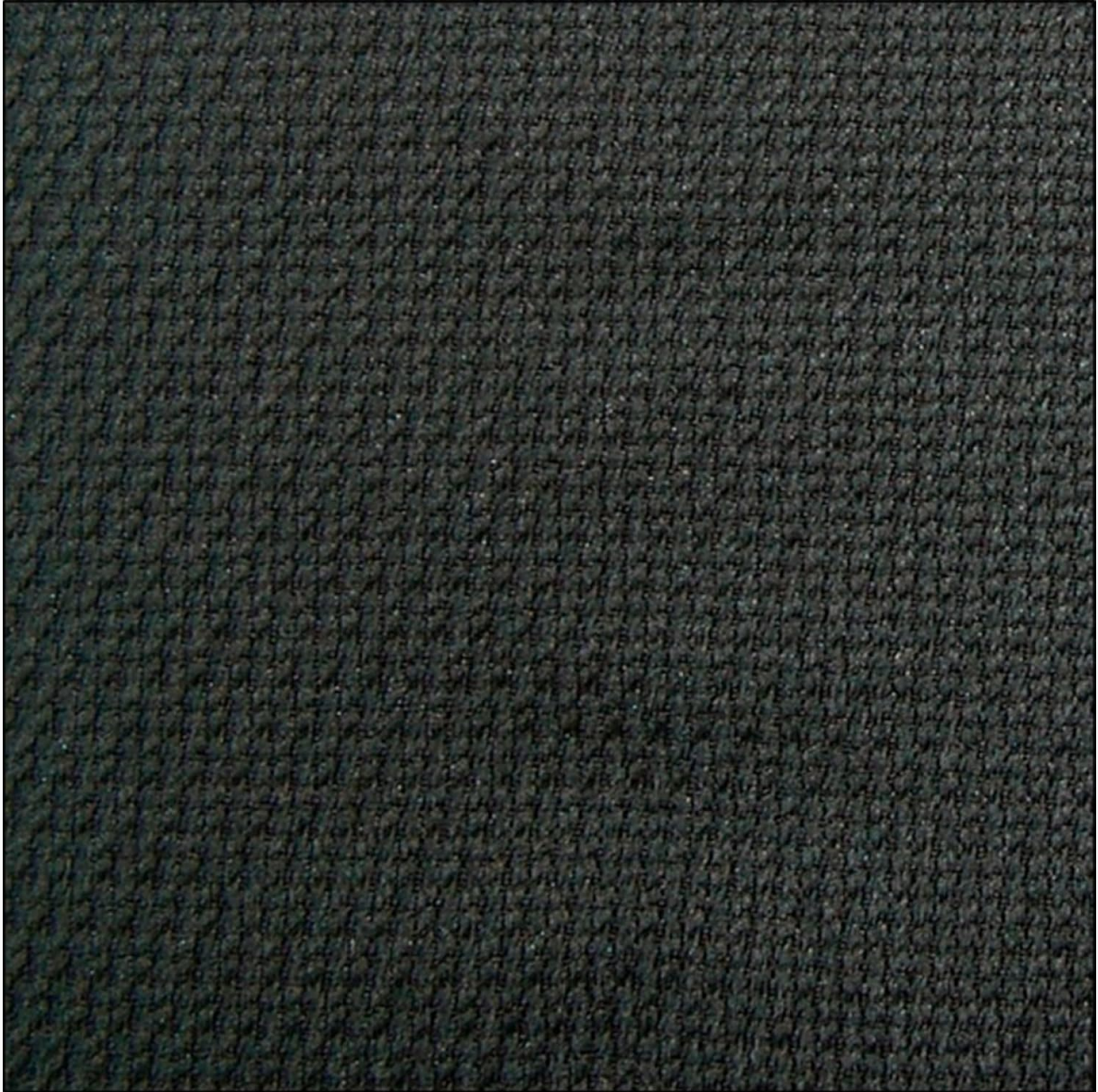
## OPERATING INSTRUCTIONS (ADJUSTMENTS)

Your Lorell Mid-Back Swivel Mesh Chair offers several adjustment features to optimize your comfort and support.

- **Pneumatic Seat-Height Adjustment:** Locate the lever on the right side, under the seat. To raise the seat, lift the lever while taking your weight off the seat. To lower the seat, lift the lever while remaining

seated. The seat height adjusts from approximately 17 inches to 21 inches from the floor.

- **360-Degree Swivel:** The chair is designed to swivel freely 360 degrees for ease of movement and access to your workspace.
- **Back-Height Adjustment:** To adjust the height of the backrest, loosen the knob located on the back support post, slide the backrest up or down to your desired position, and then retighten the knob.
- **Tilt and Asynchronous Three-Lever Control:** This chair features an asynchronous three-lever control mechanism for independent adjustment of seat and back angles, as well as tilt lock. Consult the diagram below for specific lever functions.
- **Arm Height and Width Adjustment:** The armrests can be adjusted in height and width. Locate the buttons or levers on the armrests to unlock and adjust them to your preferred position.



*Image: Detail of the chair's adjustment levers located beneath the seat.*

## **MAINTENANCE**

---

Regular maintenance will help prolong the life and appearance of your chair.

- **Cleaning:** For general cleaning, wipe surfaces with a soft, damp cloth. For the mesh back and seat, spot clean only. Avoid harsh chemical cleaners that may damage the fabric or finish.

- **Fasteners:** Periodically check all screws and bolts to ensure they are tight. Loose fasteners can affect the chair's stability and safety.
- **Casters:** Keep casters free of debris (hair, dust, etc.) to ensure smooth rolling.
- **Moving the Chair:** When moving the chair, lift it rather than dragging it to prevent damage to the casters or base.

## TROUBLESHOOTING

If you encounter issues with your chair, refer to the following common problems and solutions:

Problem	Possible Cause	Solution
Chair does not adjust height	Gas lift cylinder malfunction or lever not engaged.	Ensure the height adjustment lever is fully engaged. If the issue persists, the gas lift may need replacement.
Backrest slips down or does not stay in position	Back-height adjustment knob is loose or mechanism is faulty.	Tighten the back-height adjustment knob securely. If the problem continues, the internal locking mechanism may be worn.
Chair feels unstable or wobbly	Loose fasteners or uneven assembly.	Check and tighten all screws and bolts, especially those connecting the seat, back, and armrests to the mechanism and base. Ensure the chair is on a level surface.
Casters do not roll smoothly	Debris caught in casters or damaged casters.	Remove any hair, dust, or debris from the caster wheels. If casters are damaged, they may need replacement.

## SPECIFICATIONS

Detailed specifications for the Lorell Mid-Back Swivel Mesh Chair:

- **Model Name:** Desk Chair
- **Item Model Number:** LLR86904
- **Brand:** Lorell
- **Color:** Black Mesh Back/ Black Mesh Seat
- **Product Dimensions:** 26.18"D x 24.41"W x 15.35"H
- **Seat Height:** Adjustable from 17" to 21"
- **Seat Depth:** 19.7 inches
- **Maximum Weight Recommendation:** 250 Pounds
- **Material:** Textile (Mesh), Foam (Fill Material)
- **Back Style:** Solid Back (Mesh)
- **Special Feature:** Rolling, Swivel, Adjustable Arms, Asynchronous Control
- **Product Care Instructions:** Spot Clean
- **Assembly Required:** Yes
- **Item Weight:** 26.5 Pounds

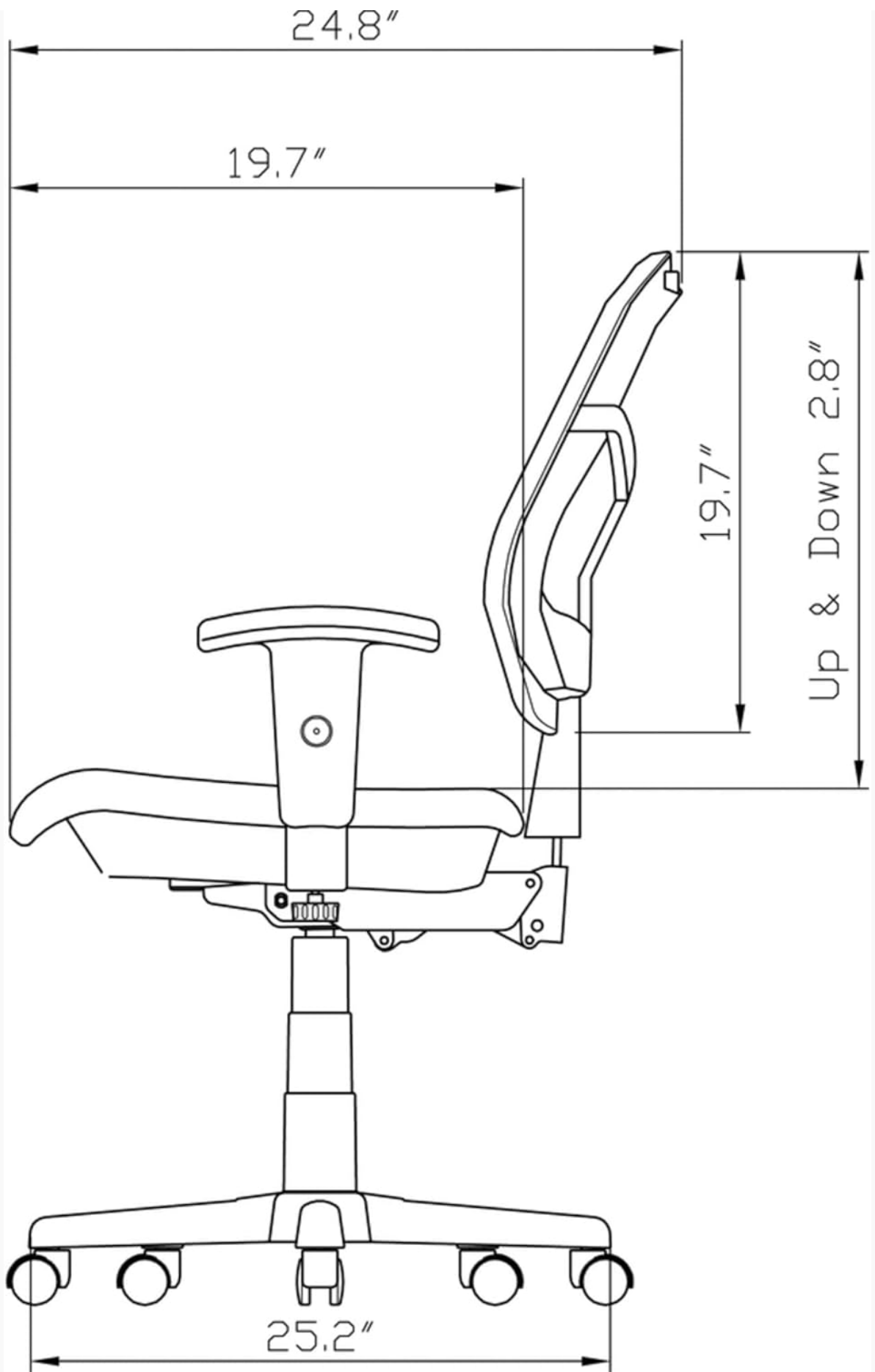


Image: Front view dimension diagram.



*Image: Side view dimension diagram.*

## **WARRANTY INFORMATION**

This Lorell Mid-Back Swivel Mesh Chair comes with a **5-year warranty**. This warranty covers manufacturing defects in materials and workmanship under normal use. Please retain your proof of purchase for warranty claims. For specific terms and conditions, refer to the warranty documentation included with your purchase or contact Lorell customer support.

## CUSTOMER SUPPORT

---

For further assistance, missing parts, or warranty inquiries, please contact Lorell customer support. Have your model number (LLR86904) and proof of purchase ready when contacting support.

**Online Support:** Visit the official Lorell website for FAQs and contact information.

**Phone Support:** Refer to the contact details provided in your product packaging.