

[Manuals.plus](#) /

› [Hansgrohe](#) /

› Hansgrohe Ecostat S Thermostatic Mixer User Manual

## Hansgrohe 15755000

# Hansgrohe Ecostat S Thermostatic Mixer User Manual

Model: 15755000

## PRODUCT OVERVIEW

---

The Hansgrohe Ecostat S Thermostatic Mixer is a wall-mounted unit designed for precise temperature control in your bathroom. It features a safety stop at 40°C to prevent scalding and ensures a consistent water temperature. This mixer is engineered for durability and user-friendliness, reflecting Hansgrohe's commitment to quality and innovation in bathroom fixtures.



Figure 1: Front view of the Hansgrohe Ecostat S Thermostatic Mixer.

## INCLUDED COMPONENTS

---

The following components are typically included with your Hansgrohe Ecostat S Thermostatic Mixer:

- Thermostat unit
- Assembly instruction manual
- Mixing unit
- Mounting material

Please note that a separate BASIC set and shut-off valve are not included and may be required for complete installation.

## SETUP AND INSTALLATION

---

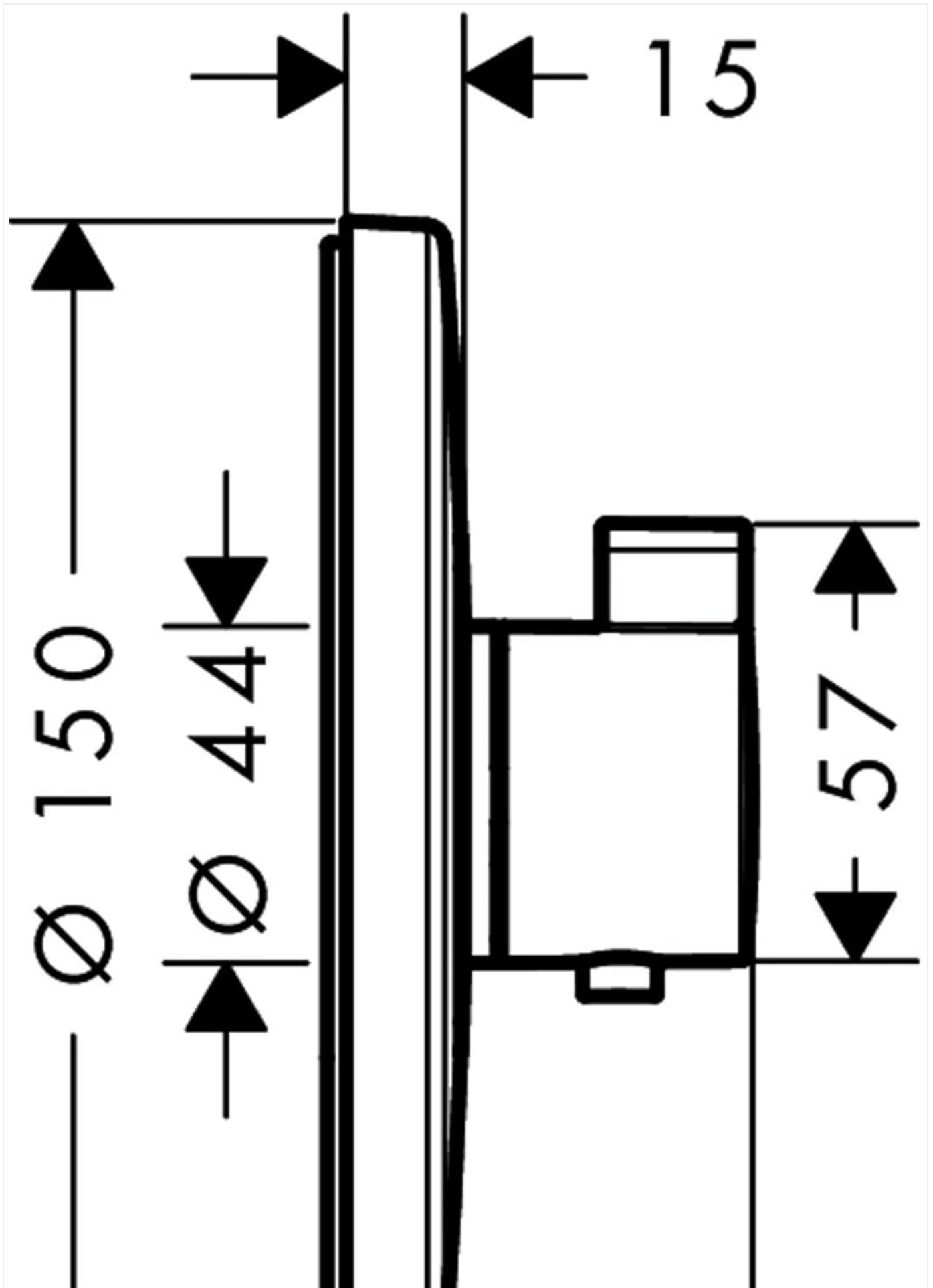
The Hansgrohe Ecostat S Thermostatic Mixer is designed for wall-mount installation. Professional installation is recommended to ensure proper function and compliance with local plumbing codes.

### Pre-Installation Checks:

- Ensure water supply is turned off before beginning installation.
- Verify that all included components are present.
- Confirm that the operating pressure in your system is within the recommended range of **min 1 bar to max 10 bar**.

### Mounting Guidelines:

Refer to the detailed assembly instructions provided with the product for specific mounting steps. The mixer requires a wall-mount setup. Ensure adequate space and proper pipe connections for hot and cold water lines.



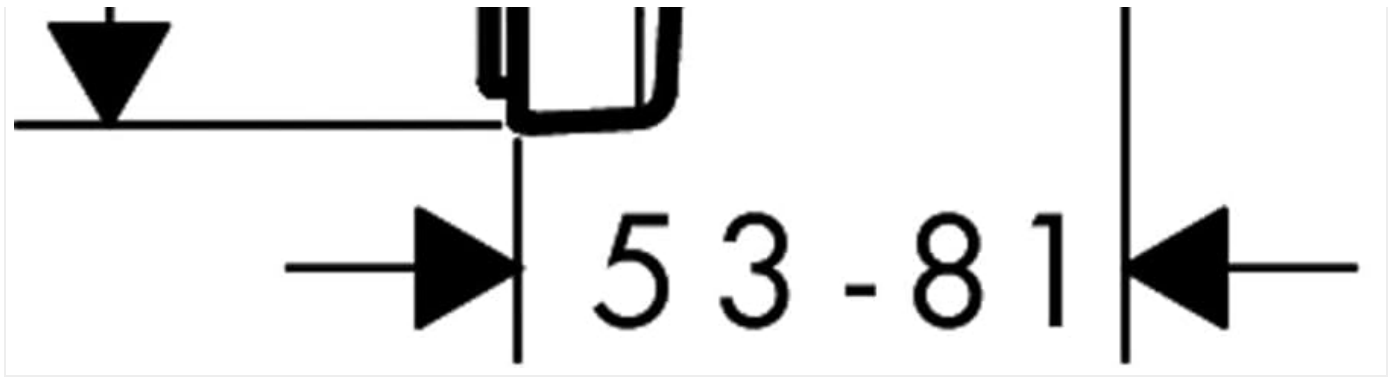


Figure 2: Dimensional drawing of the Hansgrohe Ecostat S Thermostatic Mixer. All measurements are in millimeters.

## OPERATING INSTRUCTIONS

The Ecostat S Thermostatic Mixer provides precise control over water temperature.

### Temperature Control:

- Rotate the temperature handle to adjust the water temperature.
- The integrated safety stop is set at **40°C (104°F)** to prevent accidental scalding. To exceed this temperature, you must consciously override the safety stop by pressing a button or turning the handle past the stop point (refer to the specific product diagram for your model).

### Flow Rate:

The flow rate of the mixer is dependent on the water pressure. This model is designed for a flow rate of up to **37 liters per minute (l/min) at 3 bar** pressure.

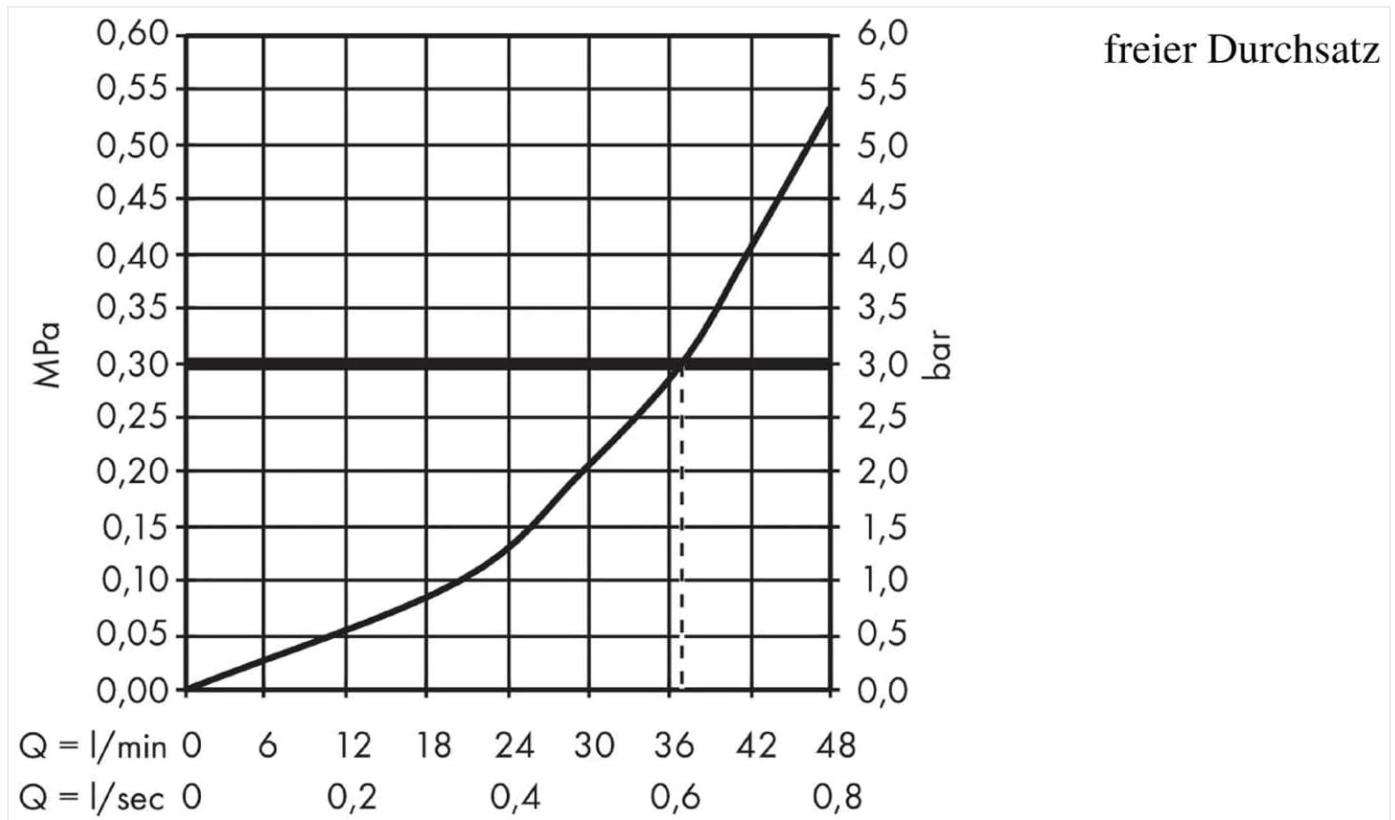


Figure 3: Flow rate diagram illustrating the relationship between pressure (MPa/bar) and flow (l/min) for the thermostatic mixer.

## MAINTENANCE AND CARE

To ensure the longevity and optimal performance of your Hansgrohe Ecostat S Thermostatic Mixer, follow these maintenance guidelines:

- **Cleaning:** Clean the chrome and silver surfaces regularly with a soft cloth and mild soap or a non-abrasive cleaner specifically designed for bathroom fixtures. Avoid harsh chemicals, abrasive pads, or cleaners containing alcohol, ammonia, or bleach, as these can damage the finish.
- **Temperature Calibration:** If the water temperature is not consistent with the dial setting, the thermostatic cartridge may need recalibration. Refer to the detailed assembly instructions for steps on how to recalibrate the thermostat.
- **Filter Maintenance:** Periodically check and clean any integrated filters to prevent debris buildup, which can affect flow rate and temperature stability.

## TROUBLESHOOTING

---

This section addresses common issues you might encounter with your thermostatic mixer.

Problem	Possible Cause	Solution
Inconsistent water temperature	Thermostatic cartridge needs calibration; fluctuating water pressure; clogged filters.	Recalibrate the thermostat (refer to manual); check household water pressure; clean filters.
Low water flow	Clogged filters; low water pressure; partially closed shut-off valve.	Clean filters; check household water pressure; ensure shut-off valve is fully open.
Water not reaching desired temperature (hot/cold)	Incorrect hot/cold water supply connection; thermostatic cartridge malfunction.	Verify hot and cold water connections; contact a qualified plumber for cartridge inspection/replacement.

If the issue persists after attempting these solutions, it is recommended to contact a qualified plumber or Hansgrohe customer support for further assistance.

## SPECIFICATIONS

---

Feature	Detail
Brand	Hansgrohe
Model Name	Ecostat S Thermostatic Mixer
Model Number	15755000
Mounting Type	Wall Mount
Finish Type	Chrome, Silver
Material	Metal
Color	Silver
Number of Handles	1
Maximum Flow Rate	37.9 Liters Per Minute (at 3 bar)
Operating Pressure	Min 1 bar / Max 10 bar
Safety Stop	40°C (104°F)

Feature	Detail
Product Dimensions (D x W x H)	5.31"D x 7.09"W x 8.66"H
Item Weight	1.14 Kilograms (2.5 pounds)
Voltage (if applicable)	230 Volts (Note: This refers to the general electrical compatibility for some Hansgrohe products, but this specific mixer is not electric.)

## WARRANTY AND SUPPORT

---

Specific warranty details for the Hansgrohe Ecostat S Thermostatic Mixer are typically provided with the product packaging or can be found on the official Hansgrohe website. It is recommended to retain your proof of purchase for warranty claims. For technical support, spare parts, or service inquiries, please visit the official Hansgrohe website or contact their customer service department. Contact information can usually be found in the product documentation or on the manufacturer's website.

© 2024 Hansgrohe. All rights reserved.  
For more information, visit [www.hansgrohe.com](http://www.hansgrohe.com)