

manuals.plus /

› [Mettler Toledo](#) /

› [Mettler Toledo 11131652 XP/XS/XA Precision Balances Pro Draft Shield, Glass-Free User Manual](#)

## Mettler Toledo 11131652

# Mettler Toledo 11131652 XP/XS/XA Precision Balances Pro Draft Shield, Glass-Free User Manual

Model: 11131652

## 1. INTRODUCTION

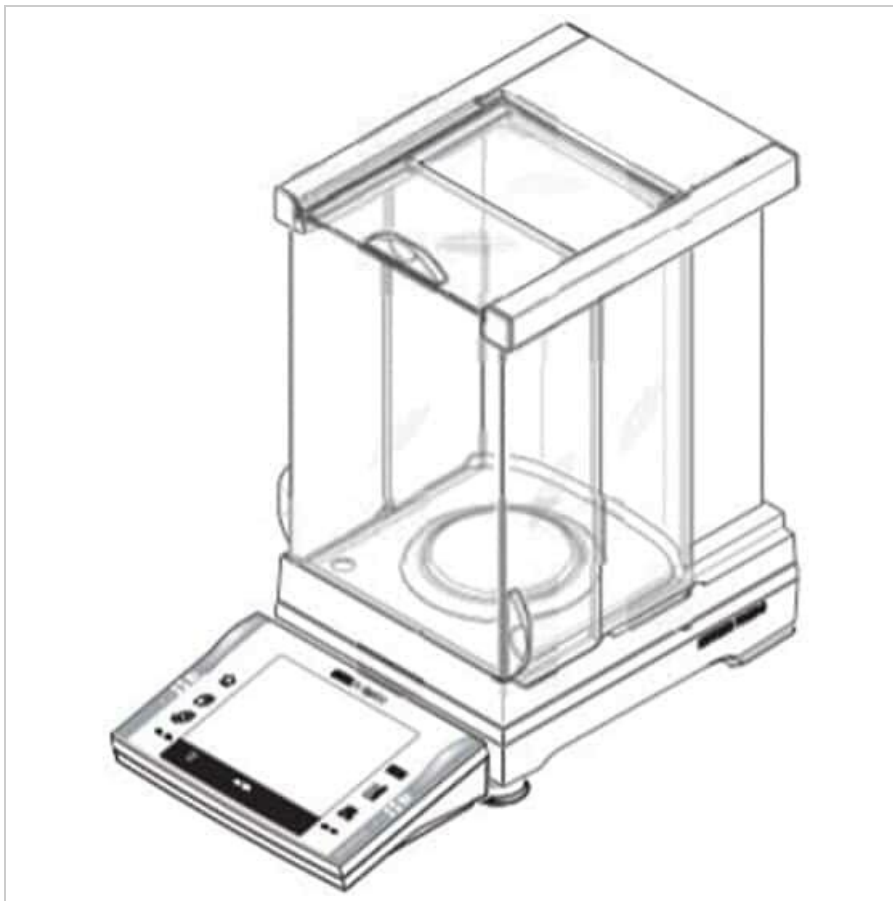
---

This manual provides essential information for the proper setup, operation, and maintenance of the Mettler Toledo 11131652 XP/XS/XA Precision Balances Pro Draft Shield. This draft shield is designed to enhance the accuracy and stability of weighing results on compatible Mettler Toledo precision balances by minimizing external environmental influences.

Draft shields are critical components for balances with fine readability ranges ( $\leq 0.001$  g). They protect weighing samples from air currents, temperature fluctuations, and other disturbances, leading to optimized repeatability and faster stabilization times during measurement.

## 2. PRODUCT OVERVIEW

---



**Figure 1:** Illustration of a Mettler Toledo XP/XS/XA Precision Balance equipped with the Pro Draft Shield. The image shows the balance unit with its display panel on the left, and the transparent, glass-free draft shield enclosing the weighing pan area. The shield features a top opening and side access for sample placement, designed to protect the weighing process from environmental disturbances.

The Mettler Toledo 11131652 Pro Draft Shield is specifically engineered for XP, XS, and XA series precision balances. Its glass-free construction offers durability and safety in laboratory environments. The design ensures easy access to the weighing pan while effectively isolating it from air currents and other external factors that can compromise measurement accuracy.

### 3. SETUP AND INSTALLATION

---

Proper installation of the draft shield is crucial for optimal performance. Follow these steps to set up the Mettler Toledo 11131652 Pro Draft Shield:

1. **Unpacking:** Carefully remove the draft shield components from their packaging. Inspect for any signs of damage during transit.
2. **Preparation of Balance:** Ensure your Mettler Toledo XP, XS, or XA precision balance is clean, level, and powered off before beginning installation. Remove any existing draft shield components if applicable.
3. **Placement:** Position the base of the draft shield securely onto the designated area of the balance. Ensure it sits flush and stable.
4. **Assembly of Walls/Panels:** Carefully attach the side panels and top cover of the draft shield. These components are typically designed for easy interlocking or snap-on assembly. Refer to your specific balance model's manual for detailed diagrams if necessary. Ensure all panels are correctly aligned and securely fastened to prevent air leaks.
5. **Weighing Pan Installation:** Once the draft shield structure is in place, install the weighing pan onto its support within the enclosed area.
6. **Final Check:** Verify that all components are correctly assembled and that the draft shield operates smoothly (e.g., sliding doors, if present).

*Note:* Always handle components with care to avoid scratches or damage to the transparent surfaces.

## 4. OPERATING INSTRUCTIONS

---

The Mettler Toledo Pro Draft Shield is a passive component designed to create a stable weighing environment. Its operation is integrated with the use of your precision balance.

- **Sample Placement:** To place a sample on the weighing pan, gently open the appropriate access point (e.g., sliding door, top flap) of the draft shield. Avoid rapid movements that could create air currents inside the shield.
- **Closing the Shield:** After placing the sample, ensure all access points are fully closed before initiating the weighing process. This creates the necessary enclosed environment for accurate measurements.
- **Minimizing Disturbances:** Even with a draft shield, it is advisable to operate the balance in a stable environment, away from direct air conditioning vents, open windows, or heavy foot traffic that could cause vibrations.
- **Temperature Equalization:** Allow samples to reach the ambient temperature of the weighing chamber before measurement, especially for samples stored at different temperatures.

The draft shield's primary function is to maintain a consistent micro-environment around the weighing pan, thereby improving the repeatability and accuracy of your balance readings.

## 5. MAINTENANCE AND CARE

---

Regular maintenance ensures the longevity and effectiveness of your draft shield.

- **Cleaning:**
  - Clean the transparent surfaces regularly with a soft, lint-free cloth dampened with a mild cleaning solution (e.g., diluted soap water or isopropyl alcohol).
  - Avoid abrasive cleaners, solvents, or harsh chemicals that could scratch or damage the material.
  - Ensure no liquid enters the balance unit itself during cleaning.
- **Inspection:** Periodically inspect the draft shield for any cracks, damage, or loose components. Damaged shields may compromise weighing accuracy.
- **Storage:** If the draft shield needs to be removed for storage or transport, disassemble it carefully and store components in a protective manner to prevent damage.

## 6. TROUBLESHOOTING

---

The draft shield is a mechanical accessory. Most issues related to weighing accuracy are typically associated with the balance itself or environmental factors. However, consider the following if issues arise:

Problem	Possible Cause	Solution
---------	----------------	----------

Problem	Possible Cause	Solution
Unstable readings despite draft shield	<ul style="list-style-type: none"> <li>• Draft shield not fully closed.</li> <li>• External air currents (e.g., HVAC vents).</li> <li>• Vibrations from the work surface.</li> <li>• Balance not level or calibrated.</li> </ul>	<ul style="list-style-type: none"> <li>• Ensure all draft shield openings are securely closed.</li> <li>• Relocate balance away from air sources or block airflow.</li> <li>• Use an anti-vibration table or ensure stable surface.</li> <li>• Check balance leveling and perform calibration.</li> </ul>
Difficulty opening/closing shield panels	<ul style="list-style-type: none"> <li>• Dirt or debris in tracks/hinges.</li> <li>• Misalignment of components.</li> </ul>	<ul style="list-style-type: none"> <li>• Clean tracks/hinges with a soft brush or cloth.</li> <li>• Gently re-align components; if persistent, reassemble.</li> </ul>

For issues related to the balance itself, refer to the specific user manual for your Mettler Toledo XP/XS/XA precision balance.

## 7. SPECIFICATIONS

Key specifications for the Mettler Toledo 11131652 Pro Draft Shield:

- **Model Number:** 11131652
- **Compatibility:** Mettler Toledo XP, XS, XA Precision Balances
- **Material:** Glass-Free construction
- **Item Weight:** 0.64 ounces
- **Country of Origin:** United States
- **ASIN:** B00N4RW4FU
- **Manufacturer:** METTLER-TOLEDO INC.
- **First Available:** September 9, 2014

## 8. WARRANTY AND SUPPORT

For specific warranty information regarding the Mettler Toledo 11131652 Pro Draft Shield, please refer to the documentation provided with your original purchase or contact Mettler Toledo customer support directly. Support contact details can typically be found on the manufacturer's official website or in the main balance manual.

When contacting support, please have your product model number (11131652) and the serial number of your associated Mettler Toledo balance readily available.

