

Manuals+

[Q & A](#) | [Deep Search](#) | [Upload](#)

manuals.plus /

- › [Otamatone](#) /
- › [Otamatone Electronic Musical Instrument User Manual](#)

Otamatone 4902314701016

Otamatone Electronic Musical Instrument User Manual

Model: 4902314701016

1. INTRODUCTION AND OVERVIEW

The Otamatone is a unique, eighth note-shaped electronic musical instrument developed by Maywa Denki. It is designed to be a fun and portable synthesizer, suitable for various ages and musical skill levels. This manual provides essential information for setting up, operating, and maintaining your Otamatone.





Figure 1.1: The Otamatone electronic musical instrument in black.

The Otamatone produces sound by pressing or sliding fingers along its stem, which controls the pitch. Squeezing the 'mouth' of the instrument creates a 'wah' effect, adding vibrato to the sound. It is known for its distinctive, quirky sound and ease of use.

What's Included

Your Otamatone package typically includes the following items:

- Otamatone Electronic Musical Instrument
- Instruction Manual (this document or similar)
- Music Sheet (for practice)

WHAT IS INCLUDED?



Figure 1.2: Typical contents included with the Otamatone.

2. SETUP

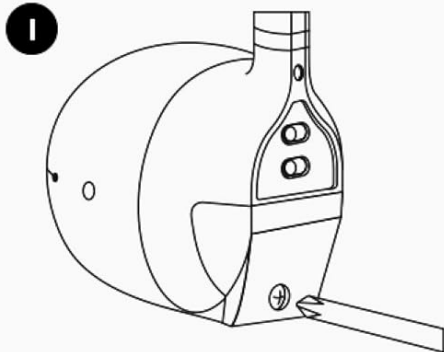
Before using your Otamatone, you will need to install batteries.

Battery Installation

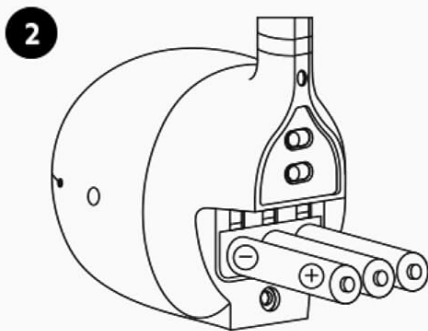
The Otamatone requires 3 AAA batteries for operation. Batteries are not included with the product.

1. Locate the battery compartment cover on the back of the Otamatone's head (the round part).
2. Using a small Phillips head screwdriver, carefully open the battery compartment cover.
3. Insert 3 AAA batteries, ensuring correct polarity (+/-) as indicated inside the compartment.
4. Replace the battery compartment cover and secure it with the screw.

HOW TO CHANGE THE BATTERIES

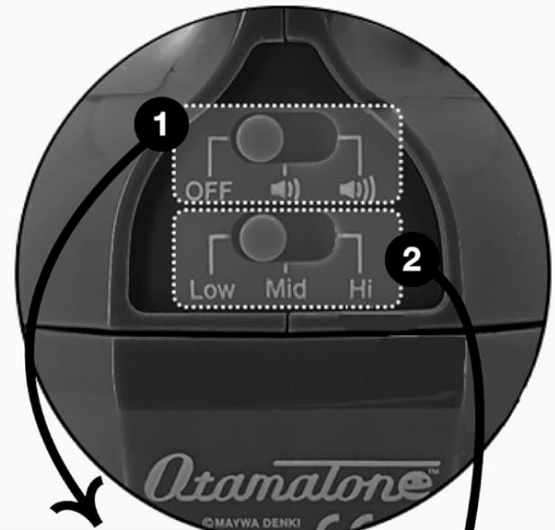


OPEN THE COVER WITH SCREWDRIVER



INSERT 3 AAA BATTERIES

HOW TO CHANGE VOLUME AND OCTAVES



POWER & VOLUME
OFF - ON - LOUDER VOLUME

OCTAVE OPTIONS
LOW - MID - HIGH

TURN THE POWER OFF
TO SAVE BATTERY



Figure 2.1: Steps for installing AAA batteries.

3. OPERATING INSTRUCTIONS

The Otamatone is designed for intuitive play. Here's how to operate your instrument:

Power On/Off and Volume Control

On the back of the Otamatone's head, you will find a switch that controls both power and volume. Slide the switch to the 'ON' position to power on the device. Continue sliding to increase the volume. There are typically Low, Mid, and High volume settings.

Playing Notes and Pitch Control

The Otamatone's stem acts as a touch-sensitive fretboard. To produce sound, press your finger along the gray strip on the stem. The position of your finger determines the pitch of the note.

- **Press:** Pressing a single point on the stem will produce a distinct note.

- **Slide:** Sliding your finger up or down the stem will create a continuous glissando effect, smoothly transitioning between pitches.

Vibrato and 'Wah' Effect

The Otamatone's 'mouth' (the black part at the bottom) can be squeezed to create a vibrato or 'wah' effect. Squeeze the cheeks of the Otamatone while playing a note to modulate its sound.



Figure 3.1: Different techniques for playing the Otamatone.

Octave Selection

The Otamatone features a switch on the back of its head to select between low, mid, and high octaves. This allows for a wider range of musical expression.



Figure 3.2: Controls for power, volume, and octave selection.

4. MAINTENANCE

Proper care will ensure the longevity of your Otamatone.

- **Cleaning:** Wipe the surface of the Otamatone with a soft, dry cloth. Do not use abrasive cleaners or immerse the instrument in water.
- **Storage:** When not in use for extended periods, remove the batteries to prevent leakage and potential damage to the electronic components. Store the Otamatone in a cool, dry place away from direct sunlight.
- **Handling:** Avoid dropping the instrument or subjecting it to strong impacts, as this may damage internal components.

5. TROUBLESHOOTING

If you encounter issues with your Otamatone, consider the following common solutions:

Problem	Possible Cause	Solution
No sound or very low sound	Batteries are dead or incorrectly installed; Volume switch is off or too low.	Check battery installation and replace if necessary. Ensure volume switch is set to an audible level.
Sound is distorted or inconsistent	Low batteries; Finger not firmly on the stem.	Replace batteries. Ensure firm contact with the touch-sensitive strip.
Instrument does not turn on	Batteries are dead or incorrectly installed; Power switch is off.	Check battery installation and replace if necessary. Ensure power switch is in the 'ON' position.

6. SPECIFICATIONS

Key technical specifications for the Otamatone:

- **Product Dimensions:** 1.7 x 5.4 x 14.9 inches (approximately 4.3 x 13.7 x 37.8 cm)
- **Item Weight:** 0.32 ounces (approximately 9 grams)
- **Model Number:** 4902314701016
- **Power Source:** 3 AAA batteries (not included)
- **Manufacturer Recommended Age:** 6 years and up
- **Manufacturer:** Cube

SIZE COMPARISON

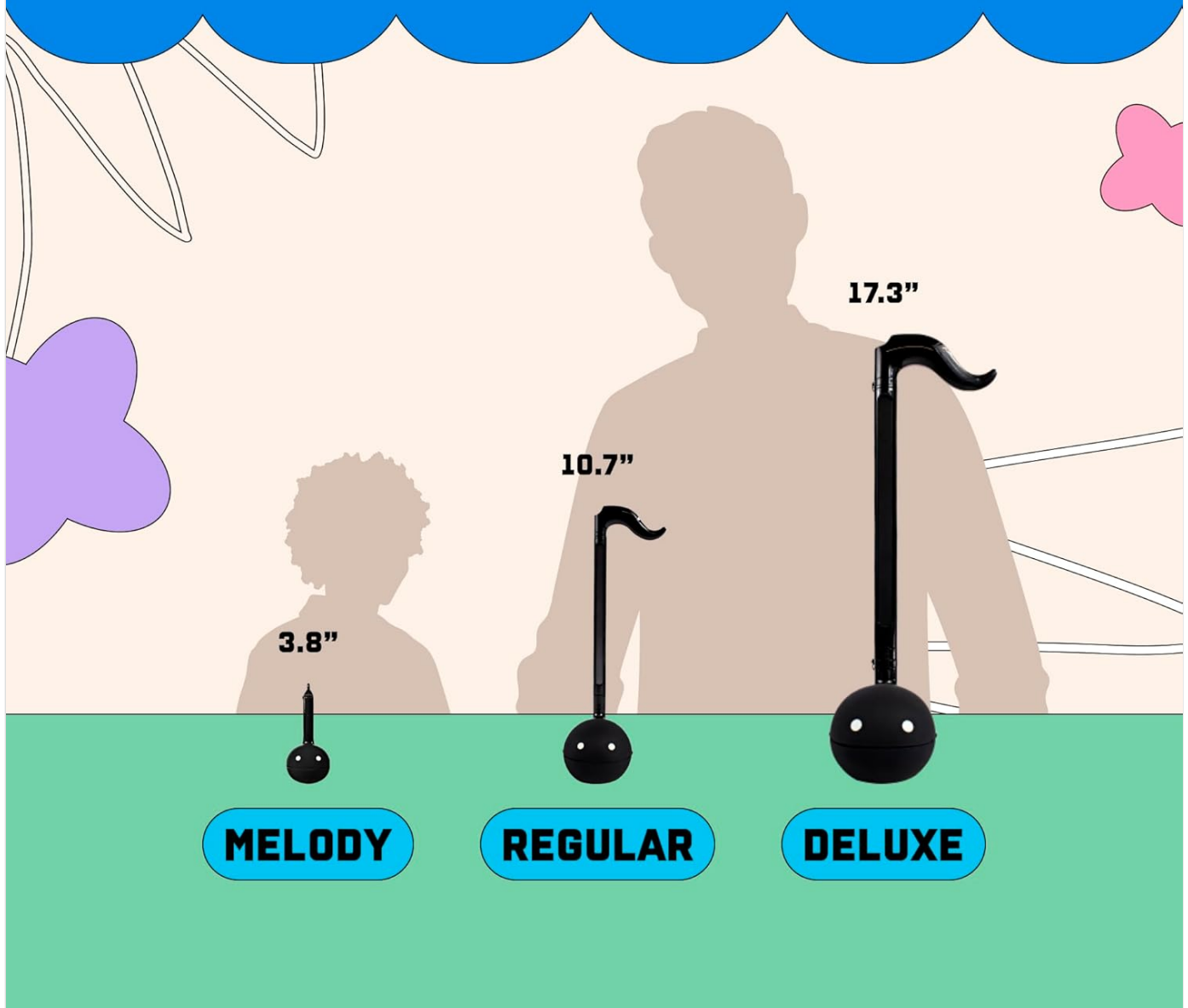


Figure 6.1: Size comparison of different Otamatone models. This manual refers to the Regular size.

7. WARRANTY AND SUPPORT

For detailed warranty information and customer support, please refer to the official Otamatone resources.

- **Official User Manual (PDF):** For a downloadable version of the user manual, please visit the official product page or refer to the link provided at <https://manuals.plus/m/085b5f6798ca42dba2e69f8c314f324882e964f9713727a0973bb83503253dcc>.
- **Brand Store:** Explore more products and find additional support resources by visiting the official Otamatone Store on Amazon: [Otamatone Store](#).
- **Protection Plans:** Extended protection plans may be available for purchase. Please check the product listing for details on 2-Year, 3-Year, or Complete Protect plans.

