

Toyota 90981-20024

Toyota Genuine Parts 90981-20024 Bulb Instruction Manual

INTRODUCTION

This instruction manual provides essential information for the proper handling, installation, and maintenance of the Toyota Genuine Parts 90981-20024 Bulb. Please read this manual thoroughly before proceeding with any installation or maintenance to ensure safety and optimal performance.

SAFETY INFORMATION

- Always disconnect the vehicle's battery before working on any electrical components to prevent electrical shock or damage.
- Allow the bulb to cool down completely before handling, as it can reach high temperatures during operation.
- Avoid touching the glass part of the bulb with bare hands. Oils from your skin can create hot spots, leading to premature failure. Use clean gloves or a cloth.
- Ensure the replacement bulb matches the specifications of the original bulb to prevent damage to the vehicle's electrical system or lighting performance issues.
- If you are unsure about any step, consult a qualified automotive technician or your vehicle's service manual.
- Dispose of old bulbs according to local regulations.

PACKAGE CONTENTS

The package contains the following item:

- One (1) Toyota Genuine Parts 90981-20024 Bulb





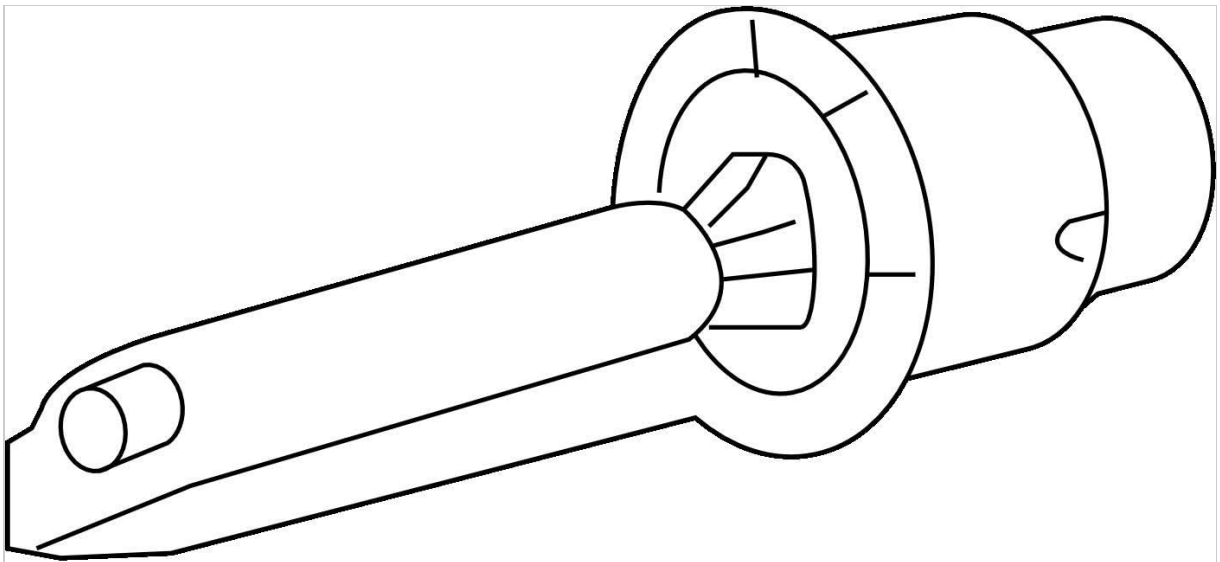


Image: The Toyota Genuine Parts 90981-20024 Bulb, a clear glass bulb with a black base, designed for automotive lighting applications.

INSTALLATION

This section outlines the general procedure for replacing an automotive bulb. Specific steps may vary depending on your vehicle's make and model. Always refer to your vehicle's owner's manual or a service manual for detailed, vehicle-specific instructions.

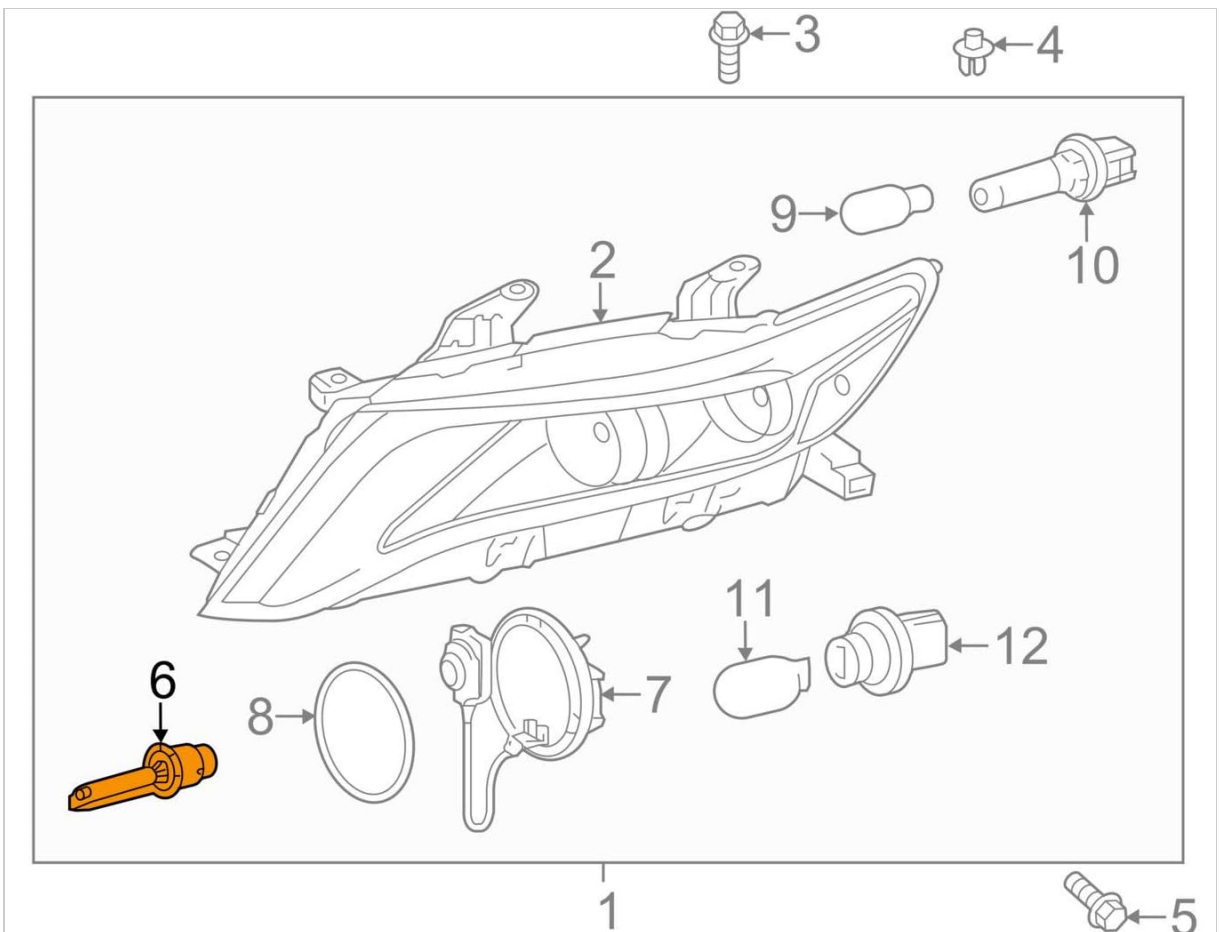
1. **Preparation:** Park your vehicle on a level surface, engage the parking brake, and turn off the engine. Allow the existing bulb to cool down if it was recently in use.
2. **Access the Bulb:** Depending on your vehicle, you may need to access the headlight assembly from under the hood, behind the wheel well, or by removing the entire headlight unit. Consult your vehicle's manual for specific access points.
3. **Disconnect Power:** Locate the electrical connector attached to the bulb. Carefully disconnect it by pressing any release tabs and pulling it straight off.
4. **Remove Old Bulb:** The bulb may be held in place by a retaining clip, a twist-lock mechanism, or a screw-in base. Release the mechanism and carefully pull the old bulb straight out from its socket. Avoid twisting if it's a pull-out type.
5. **Install New Bulb:** Wearing clean gloves, carefully insert the new Toyota Genuine Parts 90981-20024 Bulb into the socket. Ensure it is seated firmly and correctly oriented. Do not force it.
6. **Secure Bulb:** Re-engage any retaining clips or twist-lock mechanisms to secure the new bulb in place.
7. **Reconnect Power:** Reattach the electrical connector to the new bulb. Ensure a secure connection.
8. **Test Functionality:** Before reassembling any removed components, turn on your vehicle's lights to verify that the new bulb is functioning correctly.
9. **Reassemble:** Reinstall any components that were removed to access the bulb (e.g., headlight assembly, wheel well liner).



6

Only one part or sub-assembly in diagram included. See Item Specifics for Reference #. Diagram may not be specific to your vehicle. See Compatibility for vehicle-specific diagrams.

Image: A line drawing illustrating a specific part of the bulb, labeled as #6, indicating its structural design. This diagram helps in identifying the bulb's form factor.



Only one part or sub-assembly in diagram included. See Item Specifics for Reference #. Diagram may not be specific to your vehicle. See Compatibility for vehicle-specific diagrams.

Image: An exploded diagram of a vehicle's headlight assembly, highlighting the location of various components, including the bulb (indicated by #6). This visual aid assists in understanding where the bulb is situated within the larger assembly.

Vehicle Compatibility Reference

191.	YEAR:	2008	MAKE:	Lexus	MODEL:	SC430	TRIM:	Base Convertible 2-Door	ENGINE:	4.3L 4293CC V8 GAS DOHC Naturally Aspirated	REFNUM:	8
192.	YEAR:	2008	MAKE:	Toyota	MODEL:	Solara	TRIM:	SE Convertible 2-Door	ENGINE:	2.4L 2362CC I4 GAS DOHC Naturally Aspirated	REFNUM:	8
193.	YEAR:	2008	MAKE:	Toyota	MODEL:	Solara	TRIM:	SE Convertible 2-Door	ENGINE:	3.3L 3300CC 202Cu. In. V6 GAS DOHC Naturally Aspirated	REFNUM:	8
194.	YEAR:	2008	MAKE:	Toyota	MODEL:	Solara	TRIM:	SE Coupe 2-Door	ENGINE:	2.4L 2362CC I4 GAS DOHC Naturally Aspirated	REFNUM:	8
195.	YEAR:	2008	MAKE:	Toyota	MODEL:	Solara	TRIM:	SE Coupe 2-Door	ENGINE:	3.3L 3300CC 202Cu. In. V6 GAS DOHC Naturally Aspirated	REFNUM:	8
196.	YEAR:	2008	MAKE:	Toyota	MODEL:	Solara	TRIM:	SLE Convertible 2-Door	ENGINE:	2.4L 2362CC I4 GAS DOHC Naturally Aspirated	REFNUM:	8
197.	YEAR:	2008	MAKE:	Toyota	MODEL:	Solara	TRIM:	SLE Convertible 2-Door	ENGINE:	3.3L 3300CC 202Cu. In. V6 GAS DOHC Naturally Aspirated	REFNUM:	8
198.	YEAR:	2008	MAKE:	Toyota	MODEL:	Solara	TRIM:	SLE Coupe 2-Door	ENGINE:	2.4L 2362CC I4 GAS DOHC Naturally Aspirated	REFNUM:	8
199.	YEAR:	2008	MAKE:	Toyota	MODEL:	Solara	TRIM:	SLE Coupe 2-Door	ENGINE:	3.3L 3300CC 202Cu. In. V6 GAS DOHC Naturally Aspirated	REFNUM:	8
200.	YEAR:	2008	MAKE:	Toyota	MODEL:	Solara	TRIM:	Sport Convertible 2-Door	ENGINE:	2.4L 2362CC I4 GAS DOHC Naturally Aspirated	REFNUM:	8
201.	YEAR:	2008	MAKE:	Toyota	MODEL:	Solara	TRIM:	Sport Convertible 2-Door	ENGINE:	3.3L 3300CC 202Cu. In. V6 GAS DOHC Naturally Aspirated	REFNUM:	8
202.	YEAR:	2008	MAKE:	Toyota	MODEL:	Solara	TRIM:	Sport Coupe 2-Door	ENGINE:	2.4L 2362CC I4 GAS DOHC Naturally Aspirated	REFNUM:	8
203.	YEAR:	2008	MAKE:	Toyota	MODEL:	Solara	TRIM:	Sport Coupe 2-Door	ENGINE:	3.3L 3300CC 202Cu. In. V6 GAS DOHC Naturally Aspirated	REFNUM:	8
204.	YEAR:	2007	MAKE:	Lexus	MODEL:	GS350	TRIM:	Base Sedan 4-Door	ENGINE:	3.5L 3456CC V6 GAS DOHC Naturally Aspirated	REFNUM:	10
205.	YEAR:	2007	MAKE:	Lexus	MODEL:	GS430	TRIM:	Base Sedan 4-Door	ENGINE:	4.3L 4293CC V8 GAS DOHC Naturally Aspirated	REFNUM:	10
206.	YEAR:	2007	MAKE:	Lexus	MODEL:	GS450h	TRIM:	Base Sedan 4-Door	ENGINE:	3.5L 3456CC V6 ELECTRIC/GAS DOHC Naturally Aspirated	REFNUM:	10
207.	YEAR:	2007	MAKE:	Lexus	MODEL:	IS250	TRIM:	Base Sedan 4-Door	ENGINE:	2.5L 2499CC V6 GAS DOHC Naturally Aspirated	REFNUM:	10
208.	YEAR:	2007	MAKE:	Lexus	MODEL:	IS350	TRIM:	Base Sedan 4-Door	ENGINE:	3.5L 3456CC V6 GAS DOHC Naturally Aspirated	REFNUM:	10
209.	YEAR:	2007	MAKE:	Lexus	MODEL:	LS460	TRIM:	Base Sedan 4-Door	ENGINE:	4.6L 4608CC V8 GAS DOHC Naturally Aspirated	REFNUM:	11
210.	YEAR:	2007	MAKE:	Lexus	MODEL:	LS460	TRIM:	L Sedan 4-Door	ENGINE:	4.6L 4608CC V8 GAS DOHC Naturally Aspirated	REFNUM:	11
211.	YEAR:	2007	MAKE:	Lexus	MODEL:	SC430	TRIM:	Base Convertible 2-Door	ENGINE:	4.3L 4293CC V8 GAS DOHC Naturally Aspirated	REFNUM:	8
212.	YEAR:	2007	MAKE:	Toyota	MODEL:	Solara	TRIM:	SE Convertible 2-Door	ENGINE:	2.4L 2362CC I4 GAS DOHC Naturally Aspirated	REFNUM:	8
213.	YEAR:	2007	MAKE:	Toyota	MODEL:	Solara	TRIM:	SE Convertible 2-Door	ENGINE:	3.3L 3300CC 202Cu. In. V6 GAS DOHC Naturally Aspirated	REFNUM:	8
214.	YEAR:	2007	MAKE:	Toyota	MODEL:	Solara	TRIM:	SE Coupe 2-Door	ENGINE:	2.4L 2362CC I4 GAS DOHC Naturally Aspirated	REFNUM:	8
215.	YEAR:	2007	MAKE:	Toyota	MODEL:	Solara	TRIM:	SE Coupe 2-Door	ENGINE:	3.3L 3300CC 202Cu. In. V6 GAS DOHC Naturally Aspirated	REFNUM:	8
216.	YEAR:	2007	MAKE:	Toyota	MODEL:	Solara	TRIM:	SLE Convertible 2-Door	ENGINE:	2.4L 2362CC I4 GAS DOHC Naturally Aspirated	REFNUM:	8
217.	YEAR:	2007	MAKE:	Toyota	MODEL:	Solara	TRIM:	SLE Convertible 2-Door	ENGINE:	3.3L 3300CC 202Cu. In. V6 GAS DOHC Naturally Aspirated	REFNUM:	8
218.	YEAR:	2007	MAKE:	Toyota	MODEL:	Solara	TRIM:	SLE Coupe 2-Door	ENGINE:	2.4L 2362CC I4 GAS DOHC Naturally Aspirated	REFNUM:	8
219.	YEAR:	2007	MAKE:	Toyota	MODEL:	Solara	TRIM:	SLE Coupe 2-Door	ENGINE:	3.3L 3300CC 202Cu. In. V6 GAS DOHC Naturally Aspirated	REFNUM:	8
220.	YEAR:	2007	MAKE:	Toyota	MODEL:	Solara	TRIM:	Sport Convertible 2-Door	ENGINE:	2.4L 2362CC I4 GAS DOHC Naturally Aspirated	REFNUM:	8
221.	YEAR:	2007	MAKE:	Toyota	MODEL:	Solara	TRIM:	Sport Convertible 2-Door	ENGINE:	3.3L 3300CC 202Cu. In. V6 GAS DOHC Naturally Aspirated	REFNUM:	8
222.	YEAR:	2007	MAKE:	Toyota	MODEL:	Solara	TRIM:	Sport Coupe 2-Door	ENGINE:	2.4L 2362CC I4 GAS DOHC Naturally Aspirated	REFNUM:	8
223.	YEAR:	2007	MAKE:	Toyota	MODEL:	Solara	TRIM:	Sport Coupe 2-Door	ENGINE:	3.3L 3300CC 202Cu. In. V6 GAS DOHC Naturally Aspirated	REFNUM:	8
224.	YEAR:	2006	MAKE:	Lexus	MODEL:	GS300	TRIM:	Base Sedan 4-Door	ENGINE:	3.0L 2994CC V6 GAS DOHC Naturally Aspirated	REFNUM:	10
225.	YEAR:	2006	MAKE:	Lexus	MODEL:	GS430	TRIM:	Base Sedan 4-Door	ENGINE:	4.3L 4293CC V8 GAS DOHC Naturally Aspirated	REFNUM:	10
226.	YEAR:	2006	MAKE:	Lexus	MODEL:	IS250	TRIM:	Base Sedan 4-Door	ENGINE:	2.5L 2499CC V6 GAS DOHC Naturally Aspirated	REFNUM:	10
227.	YEAR:	2006	MAKE:	Lexus	MODEL:	IS350	TRIM:	Base Sedan 4-Door	ENGINE:	3.5L 3456CC V6 GAS DOHC Naturally Aspirated	REFNUM:	10
228.	YEAR:	2006	MAKE:	Lexus	MODEL:	SC430	TRIM:	Base Convertible 2-Door	ENGINE:	4.3L 4293CC V8 GAS DOHC Naturally Aspirated	REFNUM:	8

Image: Page 2 of the detailed vehicle compatibility list, continuing to display various Toyota and Lexus models, years, and trims. This provides further reference for fitment verification.

OPERATION

The Toyota Genuine Parts 90981-20024 Bulb operates as part of your vehicle's lighting system. Once correctly installed, its operation is controlled by your vehicle's standard headlight switch or automatic lighting system. When activated, the bulb will illuminate to provide necessary illumination for driving.

MAINTENANCE

- **Cleaning:** If the headlight lens becomes dirty, clean it with a soft cloth and appropriate automotive cleaning solution to ensure maximum light output. Do not use abrasive cleaners.
- **Inspection:** Periodically check your vehicle's lights to ensure all bulbs are functioning correctly. Replace any non-functional bulbs promptly.
- **Replacement:** Bulbs have a finite lifespan. When a bulb fails, replace it with another genuine Toyota 90981-20024 Bulb to maintain original equipment performance and reliability. It is often recommended to replace bulbs in pairs (e.g., both left and right headlights) to ensure consistent light output and color, as older bulbs may dim or change color over time.

TROUBLESHOOTING

Bulb Not Illuminating

- **Check Connection:** Ensure the electrical connector is securely attached to the bulb.
- **Check Fuse:** Inspect the relevant fuse in your vehicle's fuse box. A blown fuse will prevent the bulb from receiving power. Replace if necessary with a fuse of the correct amperage.
- **Verify Bulb Installation:** Confirm the bulb is correctly seated in its socket and any retaining clips are

engaged.

- **Test with Another Bulb:** If possible, test the socket with a known working bulb to rule out issues with the vehicle's wiring or headlight assembly.
- **Professional Inspection:** If the issue persists after these steps, it may indicate a more complex electrical problem requiring diagnosis by a qualified technician.

Flickering or Dim Light

- **Loose Connection:** Check for any loose or corroded electrical connections at the bulb or within the headlight assembly.
- **Voltage Irregularities:** This could indicate an issue with the vehicle's charging system or wiring. Consult a technician.
- **Bulb Nearing End of Life:** If the bulb is old, flickering or dimming can be a sign of impending failure. Consider replacing it.

SPECIFICATIONS

Feature	Detail
Brand	Toyota
Model	Bulb
OEM Part Number	90981-20024
Voltage	12 Volts
Item Weight	1.48 ounces
Product Dimensions	5 x 2 x 2 inches
Auto Part Position	Front

WARRANTY AND SUPPORT

For information regarding the warranty of your Toyota Genuine Parts 90981-20024 Bulb, please refer to the official Toyota warranty documentation provided with your vehicle or contact an authorized Toyota dealership. Specific warranty terms and conditions may vary.

For technical support or further assistance, please contact your local authorized Toyota service center or visit the official Toyota website for customer support resources.