

Manuals+

[Q & A](#) | [Deep Search](#) | [Upload](#)

manuals.plus /

> [SIAMP](#) /

> [SIAMP Monaco Optima 49 Dual Flush Cistern Valve and Chrome Push Button Instruction Manual](#)

SIAMP 32499910

SIAMP Monaco Optima 49 Dual Flush Cistern Valve and Chrome Push Button Instruction Manual

Model: 32499910

INTRODUCTION

This manual provides essential instructions for the installation, operation, and maintenance of your SIAMP Monaco Optima 49 Dual Flush Cistern Valve and Chrome Push Button. Please read this manual thoroughly before installation and retain it for future reference. Proper installation and maintenance will ensure optimal performance and longevity of your product.

SAFETY INFORMATION

Warning: Always turn off the water supply to the cistern before attempting any installation, maintenance, or repair work. Failure to do so may result in water damage or injury.

- Ensure all connections are watertight to prevent leaks.
- Do not overtighten nuts or fittings, as this can cause damage to the product or cistern.
- If you are unsure about any part of the installation process, consult a qualified plumber.
- Keep small parts away from children.

PRODUCT OVERVIEW AND COMPONENTS

The SIAMP Monaco Optima 49 is a dual flush cistern valve designed for efficient water usage. It features a chrome push button for activating a full or reduced flush.

Adjustable height (B):

- With collar: from 282 to 430mm (lid hole \varnothing ranging from 16 to 38mm and 43 to 50mm)
- Without: from 300 to 448mm (lid hole \varnothing ranging from 39 to 42mm)

Adjustable overflow height (C): 155 to 245mm

Compatible with:

- Lid hole \varnothing (A) from 16 to 50mm
- Drainage hole \varnothing (D) from 58 to 72mm

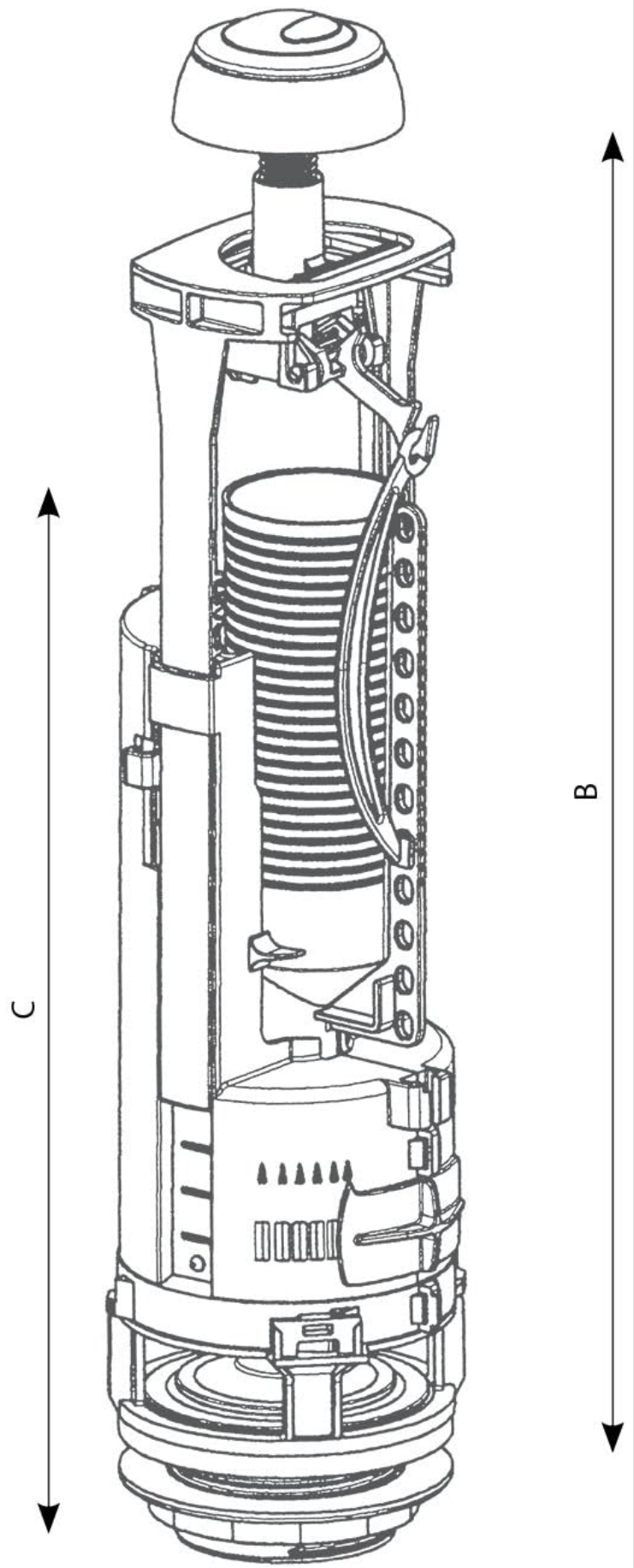


Figure 1: Siamp Monaco Optima 49 Dual Flush Cistern Valve. This diagram illustrates the main components and adjustable dimensions of the flush valve. Key dimensions include adjustable height (B) and adjustable overflow height (C).

- **Dual Flush Valve Body:** The main mechanism for water release.
- **Chrome Push Button:** Activates the flush.

- **Adjustable Height (B):**
 - With collar: 282 to 430mm (lid hole Ø 16 to 38mm and 43 to 50mm)
 - Without collar: 300 to 448mm (lid hole Ø 39 to 42mm)
- **Adjustable Overflow Height (C):** 155 to 245mm.
- **Compatibility:**
 - Lid hole Ø (A): 16 to 50mm
 - Drainage hole Ø (D): 58 to 72mm



Figure 2: Chrome Dual Flush Push Button. This button allows selection between a full flush and a reduced flush.

INSTALLATION INSTRUCTIONS

1. Prepare the Cistern:

Turn off the water supply to the toilet. Flush the toilet to empty the cistern. Use a sponge to remove any remaining water.

2. Remove Old Flush Valve (if applicable):

Unscrew the retaining nut from the underside of the cistern that holds the old flush valve in place. Carefully lift out the old valve.

3. Clean the Cistern Base:

Clean the area around the drainage hole in the cistern to ensure a good seal for the new valve.

4. Install the New Flush Valve:

Place the new SIAMP Monaco Optima 49 flush valve into the drainage hole from inside the cistern, ensuring the rubber seal is correctly seated. From the underside of the cistern, thread the retaining nut onto the valve and

hand-tighten. *Do not overtighten.*

5. **Adjust Valve Height and Overflow:**

Refer to **Figure 1** for adjustable height (B) and overflow height (C). Adjust the valve to fit your cistern's height and desired overflow level. Ensure the overflow pipe is below the cistern's overflow level but above the water line.

6. **Install the Push Button:**

Insert the chrome push button assembly through the lid hole of your cistern. Connect the button's activation rods to the flush valve mechanism. Ensure the rods are correctly aligned and allow for smooth operation of both full and reduced flush functions.

7. **Reconnect Water Supply:**

Turn the water supply back on. Allow the cistern to fill and check for any leaks around the flush valve and connections. If leaks occur, gently tighten the retaining nut or check the seal's position.

8. **Test Flush:**

Perform several test flushes (full and reduced) to ensure proper operation and water levels.

OPERATING INSTRUCTIONS

The SIAMP Monaco Optima 49 features a dual flush mechanism, allowing you to choose between a full flush for solid waste and a reduced flush for liquid waste, conserving water.

- **Reduced Flush:** Press the smaller button or the smaller section of the chrome push button. This releases a smaller volume of water, ideal for liquid waste.
- **Full Flush:** Press the larger button or the larger section of the chrome push button. This releases the full volume of water from the cistern, suitable for solid waste.

Ensure the button returns to its original position after each flush to allow the cistern to refill properly.

MAINTENANCE

- **Cleaning the Push Button:** Clean the chrome push button with a soft, damp cloth and mild soap. Avoid abrasive cleaners or harsh chemicals, as these can damage the chrome finish.
- **Internal Cleaning:** Periodically, you may need to clean the internal components of the flush valve if you notice reduced flush performance or blockages. Turn off the water supply, empty the cistern, and carefully remove the valve for cleaning. Rinse components with clean water.
- **Seal Inspection:** Inspect the rubber seals periodically for wear or damage. Worn seals can lead to leaks. Replace seals as necessary.

TROUBLESHOOTING

Problem	Possible Cause	Solution
---------	----------------	----------

Problem	Possible Cause	Solution
Water continuously runs into the toilet bowl.	<ul style="list-style-type: none"> • Flush valve seal is dirty or worn. • Flush valve not seating correctly. • Water level too high (if float valve is also faulty). 	<ul style="list-style-type: none"> • Turn off water, clean or replace the flush valve seal. • Ensure no obstructions prevent the valve from closing fully. • Check and adjust the float valve if necessary (separate component).
Weak or incomplete flush.	<ul style="list-style-type: none"> • Insufficient water in the cistern. • Obstruction in the flush valve. • Push button rods not correctly adjusted. 	<ul style="list-style-type: none"> • Check the water level and ensure the fill valve is working correctly. • Turn off water, inspect and clean the flush valve. • Adjust the length of the push button rods to ensure full activation of the flush mechanism.
Cistern not filling.	<ul style="list-style-type: none"> • Water supply turned off. • Fill valve (inlet valve) malfunction. 	<ul style="list-style-type: none"> • Ensure the water supply valve is fully open. • Inspect the fill valve (separate component) for blockages or damage.

SPECIFICATIONS

Feature	Detail
Brand	SIAMP
Model Number	32499910
Material	Plastic
Exterior Finish	Chrome (for push button)
Item Dimensions (L x W x H)	3.74 x 3.74 x 11.22 inches
Item Weight	14.1 ounces
Inlet Connection Type	Push Button
Outlet Connection Type	Push Button
Number of Ports	2
Outlet Connection Size	2 Inches
Specification Met	WRAS
Adjustable Height (B)	With collar: 282-430mm; Without collar: 300-448mm

Feature	Detail
Adjustable Overflow Height (C)	155-245mm
Compatible Lid Hole Ø (A)	16-50mm
Compatible Drainage Hole Ø (D)	58-72mm

WARRANTY AND SUPPORT

For warranty information or technical support, please refer to the official SIAMP website or contact your retailer. Keep your proof of purchase for warranty claims.

Manufacturer: SIAMP

Part Number: 32499910