

## SIAMP 32456010

# Monaco Skipper 45 Dual Flush Cistern Valve and Chrome Push Button User Manual

Model: 32456010 | Brand: SIAMP

## INTRODUCTION

---

This manual provides comprehensive instructions for the installation, operation, maintenance, and troubleshooting of the Monaco Skipper 45 Dual Flush Cistern Valve and Chrome Push Button. Please read this manual thoroughly before installation and use to ensure proper function and longevity of the product.

The Skipper 45 dual flush valve is designed for use in ceramic or plastic cisterns, serving as a replacement for pre-installed products from various manufacturers including Vitra, Twyford, Lecico, and Roca. It features a universal bayonet fitting for easy maintenance without disconnecting the cistern from the WC pan.

## PRODUCT COMPONENTS

---

The Monaco Skipper 45 Dual Flush Cistern Valve package includes the following components:

- Skipper 45 dual flush valve
- 2-inch bayonet fitting
- Skipper 45 Chrome Push Button
- Instruction manual (this document)





**Figure 1:** Overview of the Monaco Skipper 45 Dual Flush Cistern Valve and Chrome Push Button components. This image displays the main components of the product, including the white plastic flush valve body with its adjustable height mechanism and the chrome push button at the top.

## SPECIFICATIONS

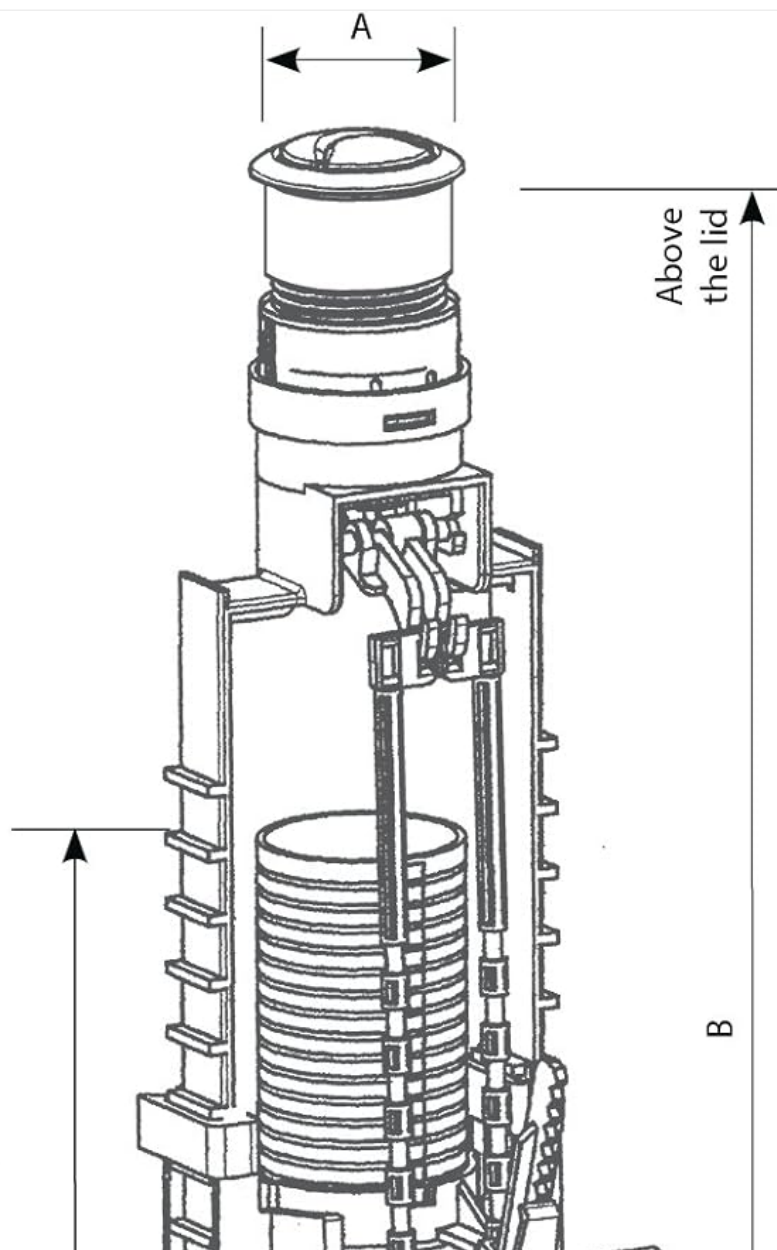
Feature	Detail
Model Number	32456010
Material	Ceramic, Plastic
Dimensions (L x W x H)	3.15 x 3.15 x 13.03 inches
Exterior Finish	Chrome (Push Button)
Inlet Connection Size	2 Inches
Inlet Connection Type	Female Iron Pipe
Outlet Connection Type	Bayonet
Adjustable Height	305mm to 455mm
Adjustable Overflow Height	180mm to 240mm (cut in 5mm increments)
Push Button Compatibility	Lid hole diameters from 40mm to 44mm
Certifications	WRAS Approved

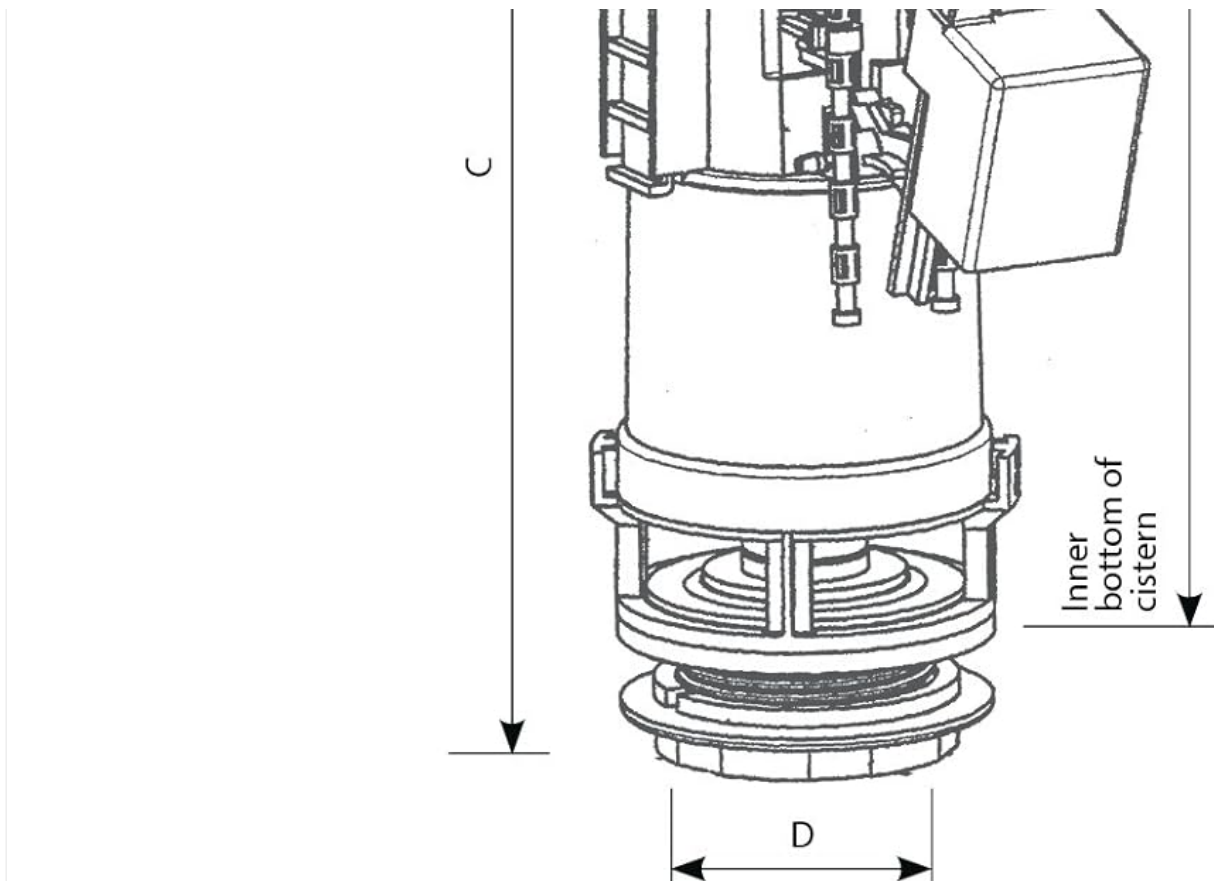
Compatible with:

- Lid hole (A),  $\varnothing$  from 40 to 44mm
- Drainage hole (D)  $\varnothing$  from 72mm

Adjustable height (B)  
from 305mm min  
to 455 mm max.

Adjustable overflow height:  
from 180 to 240mm (C)





**Figure 2:** Dimensional diagram of the Skipper 45 Dual Flush Valve.

This diagram illustrates key dimensions: A (Lid hole diameter), B (Adjustable height from 305mm to 455mm), C (Adjustable overflow height from 180mm to 240mm), and D (Drainage hole diameter from 72mm). It shows how the valve fits into a cistern and its adjustable features.

## SETUP AND INSTALLATION

The Skipper 45 dual flush valve is designed for straightforward installation and can be used as a direct replacement for many existing flush valves. Ensure the water supply to the cistern is turned off before beginning installation.

### Preparation

1. Turn off the main water supply to the toilet.
2. Flush the toilet to empty the cistern.
3. Disconnect the water supply line from the fill valve.
4. Remove the old flush valve from the cistern.

### Adjusting Valve Height and Overflow

The valve's height is adjustable from 305mm to 455mm. The overflow can be adjusted between 180mm to 240mm by cutting the overflow tube in increments of 5mm. Refer to Figure 2 for visual guidance on these adjustments.

### Installation Steps

1. Insert the new Skipper 45 dual flush valve into the cistern's drainage hole. Ensure the rubber gasket is properly seated to prevent leaks.
2. Secure the valve from underneath the cistern using the provided nut. Tighten firmly but do not overtighten.
3. Connect the 2-inch bayonet fitting to the valve.
4. Install the chrome push button into the lid hole. The push button is compatible with lid hole diameters from 40mm to 44mm.

5. Reconnect the water supply line to the fill valve.
6. Turn on the main water supply and check for leaks.
7. Allow the cistern to fill and test the dual flush mechanism.

## OPERATING INSTRUCTIONS

---

The Monaco Skipper 45 features a dual flush mechanism designed to conserve water.

### Dual Flush Functionality

- **Half Flush:** Press the smaller button or the smaller section of the push button for a reduced water flush, ideal for liquid waste.
- **Full Flush:** Press the larger button or the larger section of the push button for a full water flush, suitable for solid waste.

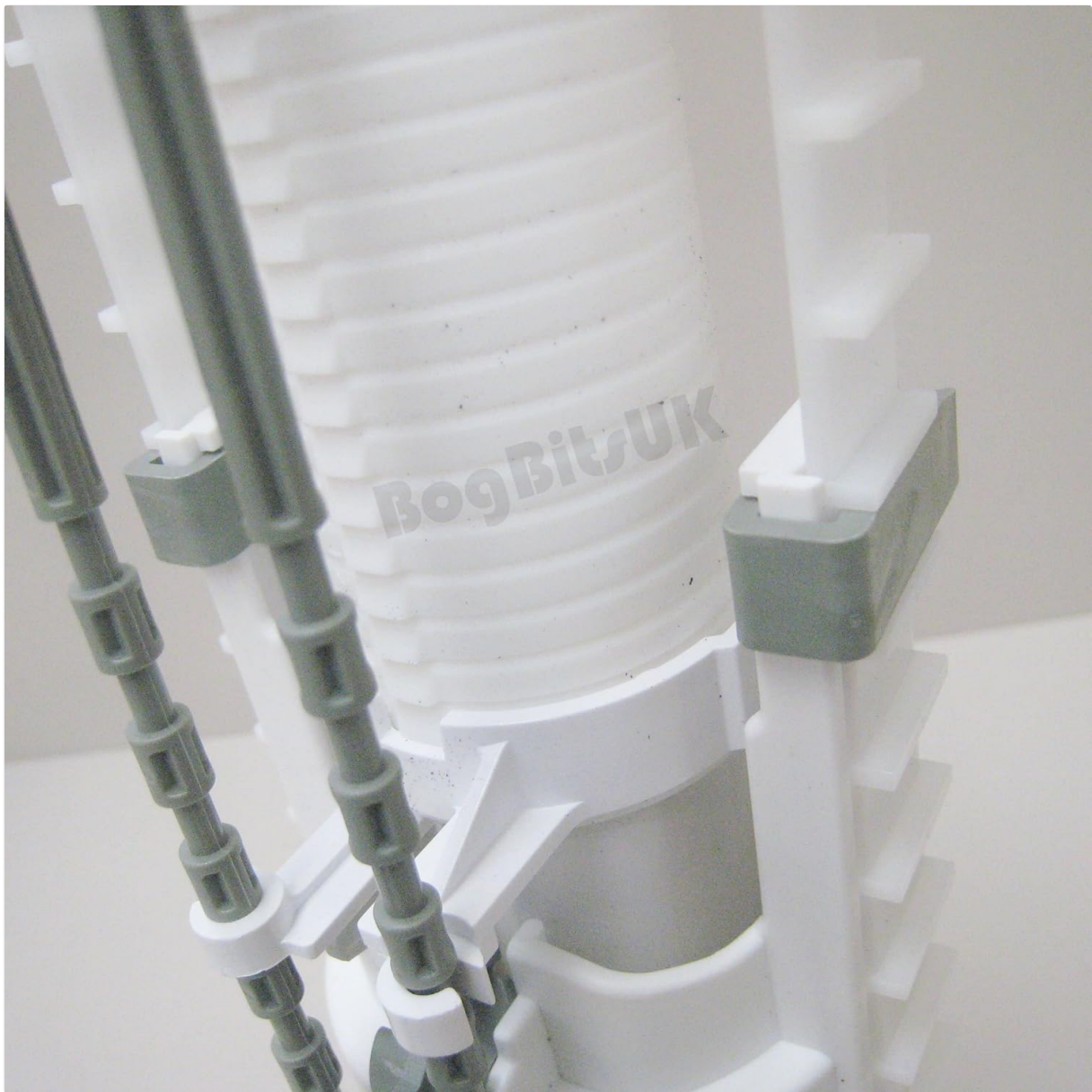
Ensure the button is fully depressed for the desired flush to activate correctly.

## MAINTENANCE

---

Regular maintenance ensures the longevity and efficient operation of your flush valve.

- **Cleaning:** Periodically clean the flush valve and cistern interior to prevent mineral buildup and ensure smooth operation. Use non-abrasive cleaners.
- **Seal Inspection:** Check the rubber seals and gaskets annually for signs of wear or degradation. Replace if necessary to prevent leaks.
- **Easy Removal:** The universal bayonet allows for easy removal of the flush valve from the bayonet with an anti-clockwise 1/4 turn without needing to disconnect the cistern from the WC pan. This facilitates inspection and replacement.



**Figure 3:** Close-up view of the internal mechanism of the Skipper 45 Dual Flush Valve.

This image provides a detailed look at the plastic components and adjustable parts of the flush valve, highlighting the robust construction and ease of access for maintenance.

## TROUBLESHOOTING

If you encounter issues with your Monaco Skipper 45 Dual Flush Cistern Valve, refer to the following common problems and solutions:

Problem	Possible Cause	Solution
Cistern not filling or filling slowly	Water supply off; clogged fill valve; low water pressure.	Check water supply; clean or replace fill valve; check household water pressure.
Continuous water flow into toilet bowl	Flush valve seal not seating properly; debris under seal; overflow pipe too high.	Inspect and clean flush valve seal; remove debris; adjust overflow pipe height.
Weak flush	Water level too low; partial blockage in toilet trap; flush button not fully depressed.	Adjust fill valve to increase water level; clear any blockages; ensure full button press.
Push button sticking	Debris around button; misaligned button rods.	Clean around button; realign button rods.

If the problem persists after attempting these solutions, it may be necessary to consult a qualified plumber or contact customer support.

## WARRANTY INFORMATION

---

The Monaco Skipper 45 Dual Flush Cistern Valve comes with a **10-year guarantee**. This warranty covers defects in materials and workmanship under normal use and service. Please retain your proof of purchase for warranty claims.

The warranty does not cover damage resulting from improper installation, misuse, abuse, accident, or unauthorized repairs or modifications. For full warranty terms and conditions, please refer to the documentation provided with your purchase or contact SIAMP customer support.

## SUPPORT AND CONTACT

---

For technical assistance, replacement parts, or warranty inquiries, please contact SIAMP customer support. Please have your product model number (32456010) and date of purchase available when contacting support. For more information, you may visit the official SIAMP website or refer to the contact details provided on the product packaging.