

Manuals+

[Q & A](#) | [Deep Search](#) | [Upload](#)

manuals.plus /

- › [IKEA](#) /
- › [IKEA FRAKTA Storage Bag Instruction Manual](#)

IKEA COMINHKPR69822_SML

IKEA FRAKTA Storage Bag Instruction Manual

Model: COMINHKPR69822_SML

PRODUCT OVERVIEW

The IKEA FRAKTA Storage Bag is an extra-large, versatile bag designed for various storage and transport needs. With a volume of 20 gallons and a maximum load capacity of 55 pounds, it is ideal for moving, laundry, or general organization. The bag is constructed from durable polypropylene material, making it resilient and adaptable to the shape of its contents.



Image: A pair of IKEA FRAKTA Storage Bags, highlighting their spacious design and robust construction.

Key Features:

- **Material:** Made from 100% polypropylene, ensuring durability and flexibility.
- **Capacity:** Features an extra-large volume of 20 gallons (approximately 76 liters).
- **Load Limit:** Can safely hold up to 55 pounds (approximately 25 kg) of contents.
- **Dimensions:** Measures 28.75 inches (L) x 13.75 inches (W) x 11.75 inches (H).
- **Closure:** Equipped with a reliable zipper for secure closure of contents.
- **Versatility:** Suitable for various uses including bedding, clothing, and moving items.
- **Portability:** Designed with multiple handles for different carrying methods.

USAGE INSTRUCTIONS

The FRAKTA bag's flexible design allows for various methods of carrying and storage, adapting to your needs.

Filling the Bag:

Lay the bag flat and open the zipper completely. Arrange items inside, utilizing the bag's flexible material to accommodate bulky or irregularly shaped objects. Ensure the weight is distributed evenly to maintain balance when carrying.



Image: The FRAKTA bag being used to hold laundry next to a washing machine, illustrating its capacity for soft goods.



Image: The FRAKTA bag filled with newspapers, demonstrating its utility for storing or transporting various items.

Carrying Options:

1. Hand Carry:

Use the shorter handles for traditional hand carrying. This method is suitable for lighter loads or when moving the bag short distances.



Image: A person carrying the FRAKTA bag by its short handles, suitable for quick transport.

2. Shoulder Carry (Duffel Style):

The longer handles allow the bag to be carried over the shoulder, similar to a duffel bag. This is useful for heavier loads or when you need your hands free.



Image: A single FRAKTA bag with its long handles, ready for shoulder carry.

3. Backpack Carry:

The long handles can also be used as shoulder straps, allowing the bag to be worn as a backpack. This provides maximum hands-free convenience, especially for large or heavy items.



Image: A person wearing the FRAKTA bag as a backpack, showcasing its adaptable design for transport.

4. Cart Transport:

The bag is designed to fit on a cart, making it easy to transport very heavy or numerous items without manual lifting.



Image: The FRAKTA bag being transported on a wheeled cart, ideal for heavy loads.

CARE AND MAINTENANCE

To ensure the longevity of your IKEA FRAKTA Storage Bag, follow these simple care instructions:

- **Cleaning:** Wipe clean with lukewarm water. Do not machine wash, tumble dry, iron, or dry clean.
- **Drying:** Allow the bag to air dry completely before folding or storing to prevent mildew.
- **Storage:** When not in use, the bag can be folded flat for compact storage.

SPECIFICATIONS

| Attribute | Detail |
|--------------------------------|--|
| Brand | IKEA |
| Model Number | COMINHKPR69822_SML |
| Material | 100% Polypropylene (PP) |
| Color | Light Blue |
| Product Dimensions (L x W x H) | 28.75" x 13.75" x 11.75" (73 cm x 35 cm x 30 cm) |
| Volume | 20 Gallons (approx. 76 Liters) |
| Max. Load Capacity | 55 Pounds (approx. 25 kg) |
| Item Weight | 0.44 Pounds (7 ounces) |
| Closure Type | Zipper |
| Number of Items in Set | 2 |
| Recommended Uses | Bedding, Clothing, Moving |

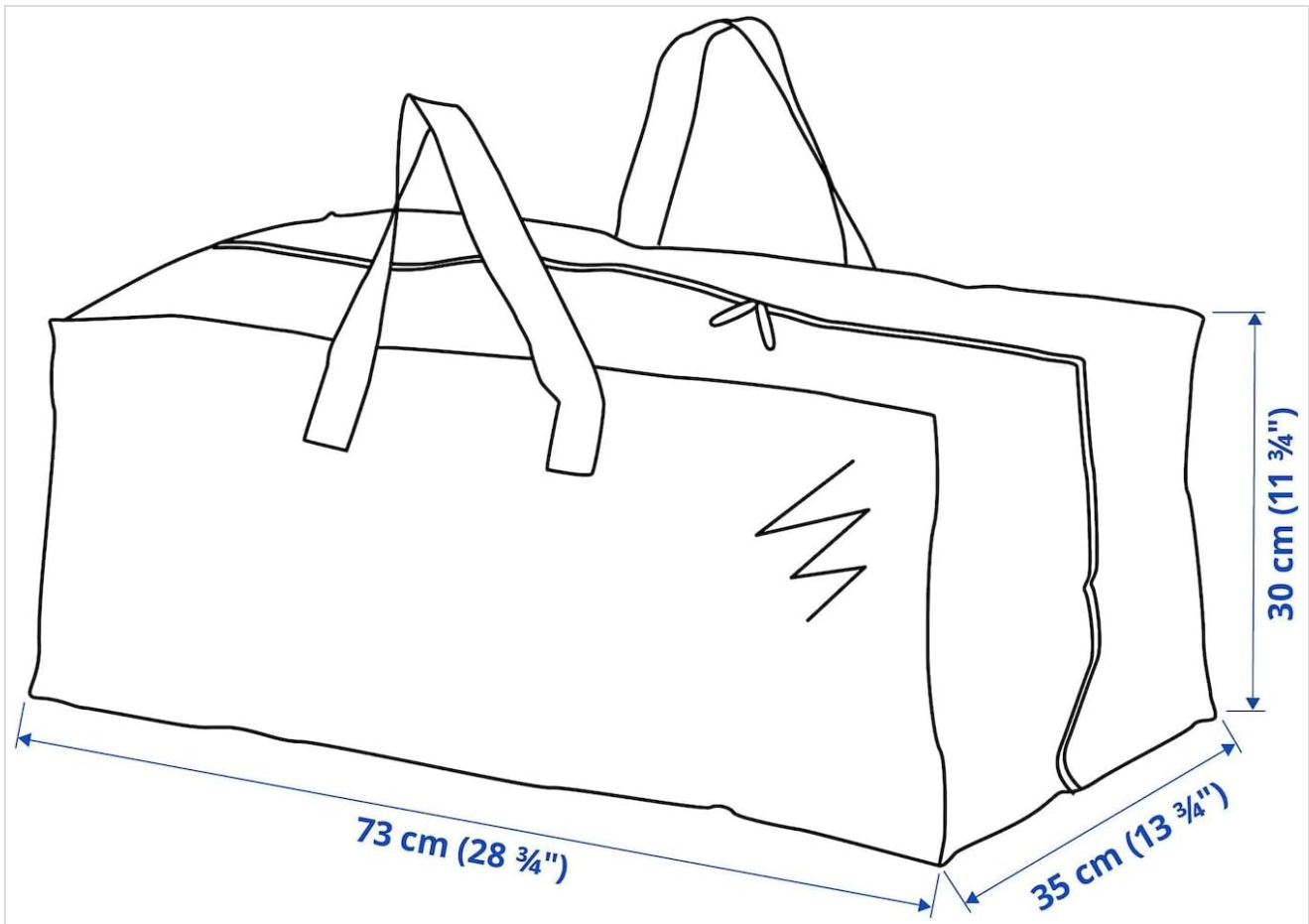


Image: Technical drawing illustrating the dimensions of the FRAKTA bag.

SAFETY INFORMATION

- Do not exceed the maximum load capacity of 55 pounds (25 kg) to prevent damage to the bag or injury.
- Avoid placing sharp objects directly into the bag without proper padding to prevent punctures.
- Keep away from open flames or extreme heat sources.
- Not intended for carrying children or pets.

TROUBLESHOOTING

- **Zipper sticking:** Ensure the fabric is not caught in the zipper teeth. Apply a small amount of zipper lubricant if necessary.
- **Bag tearing:** Check if the load exceeds the maximum capacity or if sharp objects are causing stress points. Redistribute weight or remove sharp items.
- **Difficulty folding:** Ensure the bag is empty and clean. Fold along existing creases for optimal compactness.