



Manuals.plus /

- › **Hollywood Bed Frames** /
- › Hollywood Bed Frames E3 Premium Bed Frame Instruction Manual

Hollywood Bed Frames 7079BSG-I

Hollywood Bed Frames E3 Premium Bed Frame Instruction Manual

Model: 7079BSG-I

1. SAFETY INFORMATION

Before beginning assembly, please read all instructions carefully. Ensure all parts are present and undamaged. Do not use power tools for assembly as this may overtighten fasteners and damage the frame. Keep small parts away from children. Always lift the frame when moving it to prevent damage to the legs or floor. This bed frame is designed to support a mattress and box spring. Do not exceed the recommended weight capacity.

2. PRODUCT OVERVIEW

The Hollywood Bed Frames E3 Premium Bed Frame is a versatile and durable support system for your mattress. It features a robust design with 9 legs and center support, suitable for various mattress sizes including Twin, Full, Queen, California King, and Eastern King. Constructed from heavy-duty high carbon recycled railroad steel with a water-based, lead-free black finish, this frame offers stability and longevity. Its solid rivet construction ensures durability, and the secured locking mechanism provides reliable support. Recessed triple-thick steel legs offer increased toe room, and heavy-duty headboard brackets are included for attaching a headboard. The frame stands 7.25 inches high with glides.

Key Features:

- One Size Fits All (Adjustable for multiple mattress sizes)
- Made in the USA
- Easy to Assemble
- No Tools Needed for basic assembly



Image: The E3 Premium Bed Frame shown fully assembled, ready for a mattress and box spring.

3. PACKAGE CONTENTS

Carefully unpack all components and verify against the list below. If any parts are missing or damaged, please contact customer support.

- Left Side Rail with Headboard Bracket
- Right Side Rail with Headboard Bracket
- Center Support Rail
- 9 Key Glides (Legs)
- 2 Plastic End Caps



Image: All bed frame components, including the three main sections and nine key glides, laid out on a carpeted floor.

4. ASSEMBLY INSTRUCTIONS

Follow these steps to assemble your E3 Premium Bed Frame. No tools are required for the main frame assembly.

Step 1: Unpack and Arrange Components

1. Carefully remove all contents from the box.
2. Unfold the three hinged steel bed frame pieces.
3. Arrange them on the floor: Place the left side piece (with headboard bracket) on the left, the right side piece (with headboard bracket) on the right, and the center piece (without headboard bracket) in the middle.



Image: The three main sections of the bed frame laid out, demonstrating the adjustable nature.

Step 2: Attach Key Glides

1. Remove the plastic key glides from their bag.
2. Insert one key glide onto each of the nine legs on the frame sections.

Step 3: Open Cross Arms

1. Open the cross arms on all three pieces to a 90-degree angle.

FITS ALL SIZES

- Recycled railroad steel
- Recessed legs
- Simple & easy assembly

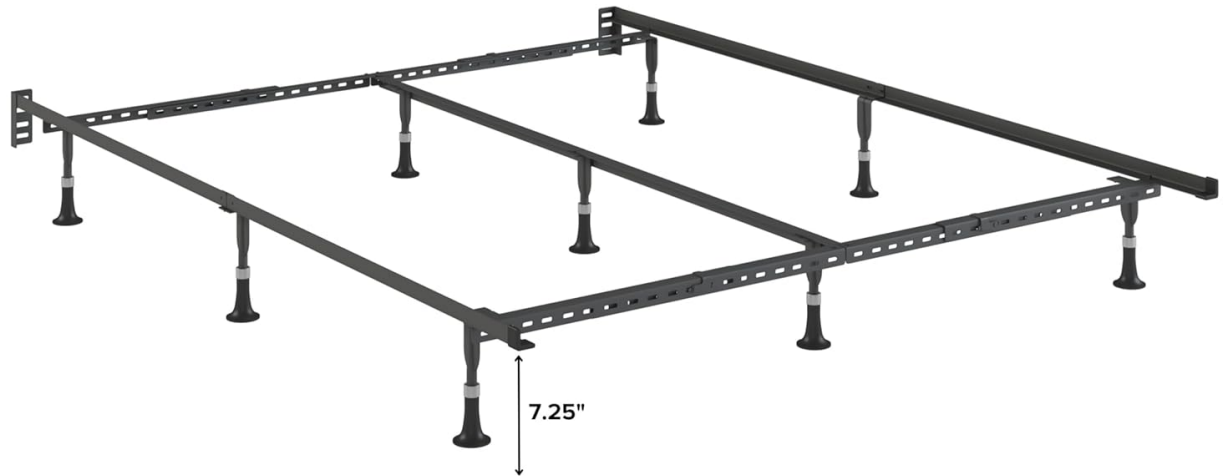


Image: A close-up view demonstrating the alignment of cross bars during assembly.

Step 4: Connect Frame Sections

1. Align the pins on the center section with the corresponding keyholes on the left and right side rails.
2. Connect the pins by sliding them into the keyholes.

1 FRAME - ALL SIZES



HEAVY DUTY
Weight capacity = 2,000 lbs.

ADJUSTABLE SIZES

TWIN	-	6 LEGS
TWIN XL	-	6 LEGS
FULL	-	6 LEGS
QUEEN	-	9 LEGS
KING	-	9 LEGS
CAL KING	-	9 LEGS

Image: A close-up showing the connection of pins into the keyholes to secure the frame sections.

Step 5: Secure with Lev-R-Lock Mechanism

1. Once the keyholes are in the correct position for your desired bed size, drop down the Lev-R-Lock mechanism to secure the connection.

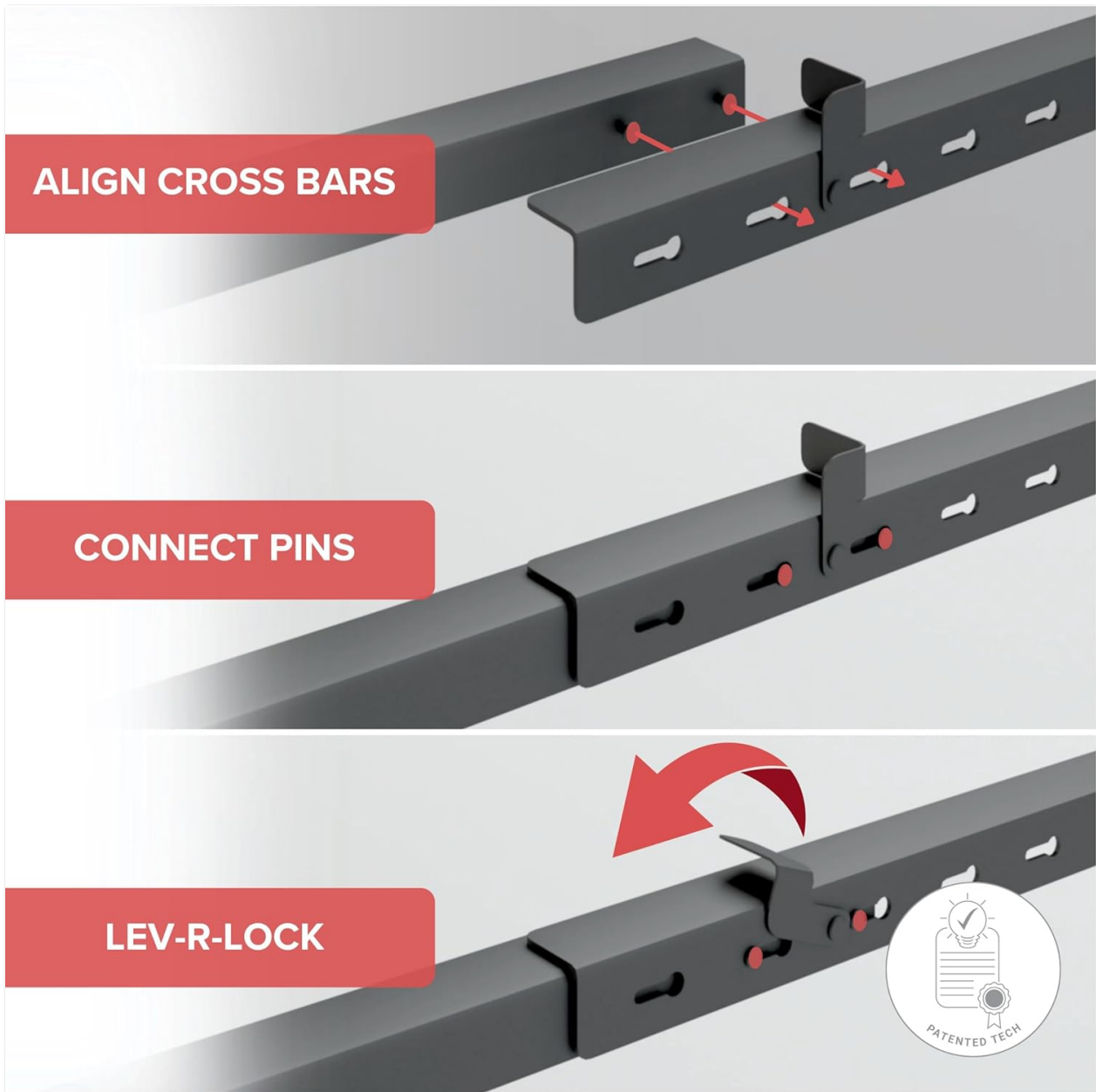


Image: Detailed view of the Lev-R-Lock mechanism in the locked position, ensuring frame stability.

Assembly Video:

Your browser does not support the video tag.

Video: Official assembly instructions for the Hollywood Bed Frames E3 Premium Bed Frame, demonstrating step-by-step setup and size adjustments.

5. ADJUSTING FRAME SIZE

The E3 Premium Bed Frame is designed to accommodate multiple mattress sizes. Use the keyholes on the frame to adjust to your desired size. The Lev-R-Lock mechanism secures your chosen setting.

- **Eastern King Size:** Use the outermost keyholes.
- **California King Size:** Use the second outermost keyholes.
- **Queen Size:** Use the middle keyholes.
- **Full Size:** Use the second innermost keyholes.
- **Twin Size:** Use the innermost keyholes. For Twin size, the center support section is not used. Fold it up and store it for future use.

**ADJUSTS TO
ALL SIZES**

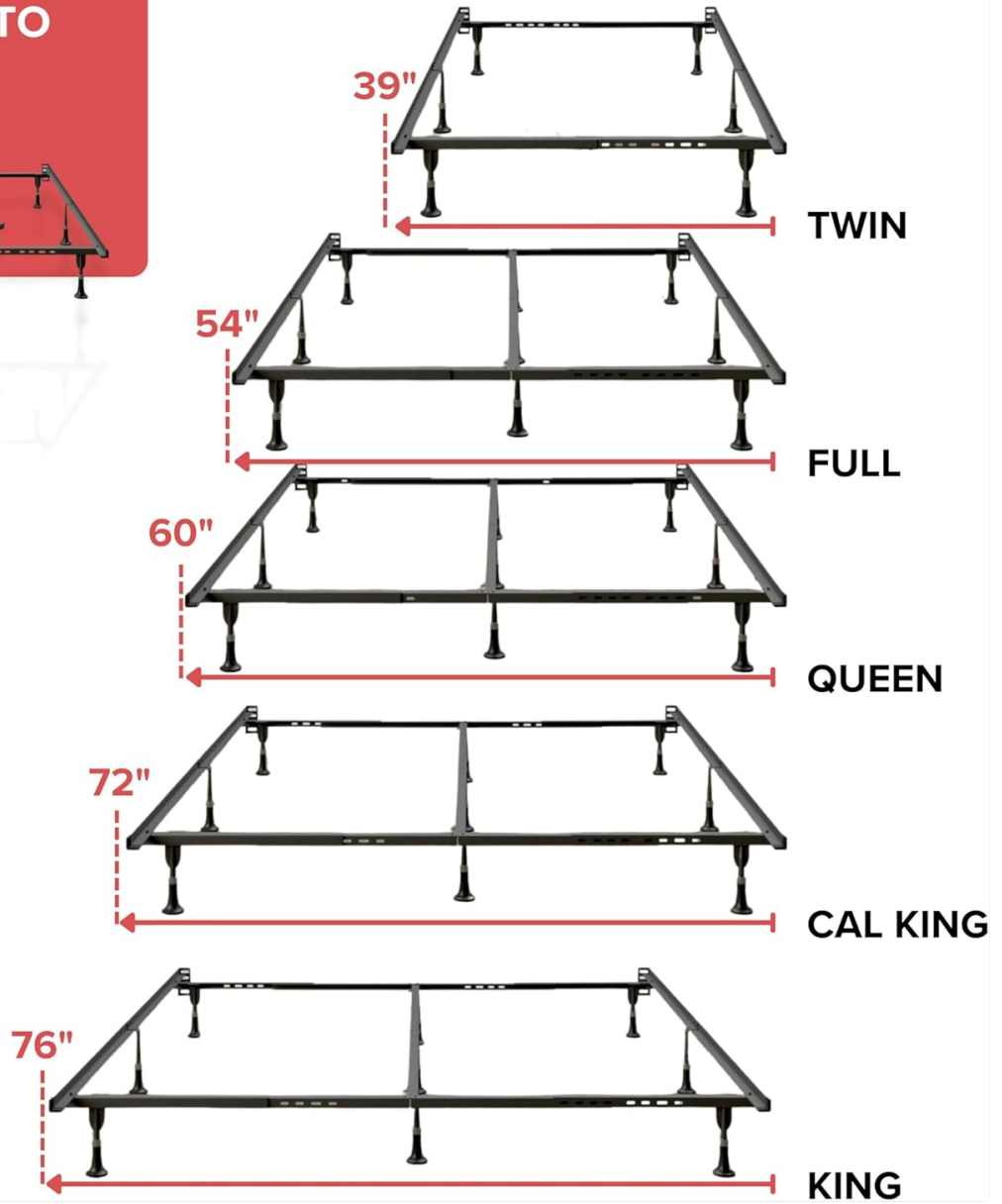


Image: A visual guide showing the different keyhole positions for Twin, Full, Queen, California King, and Eastern King mattress sizes.

PATENTED KEYHOLE LOCKING SYSTEM

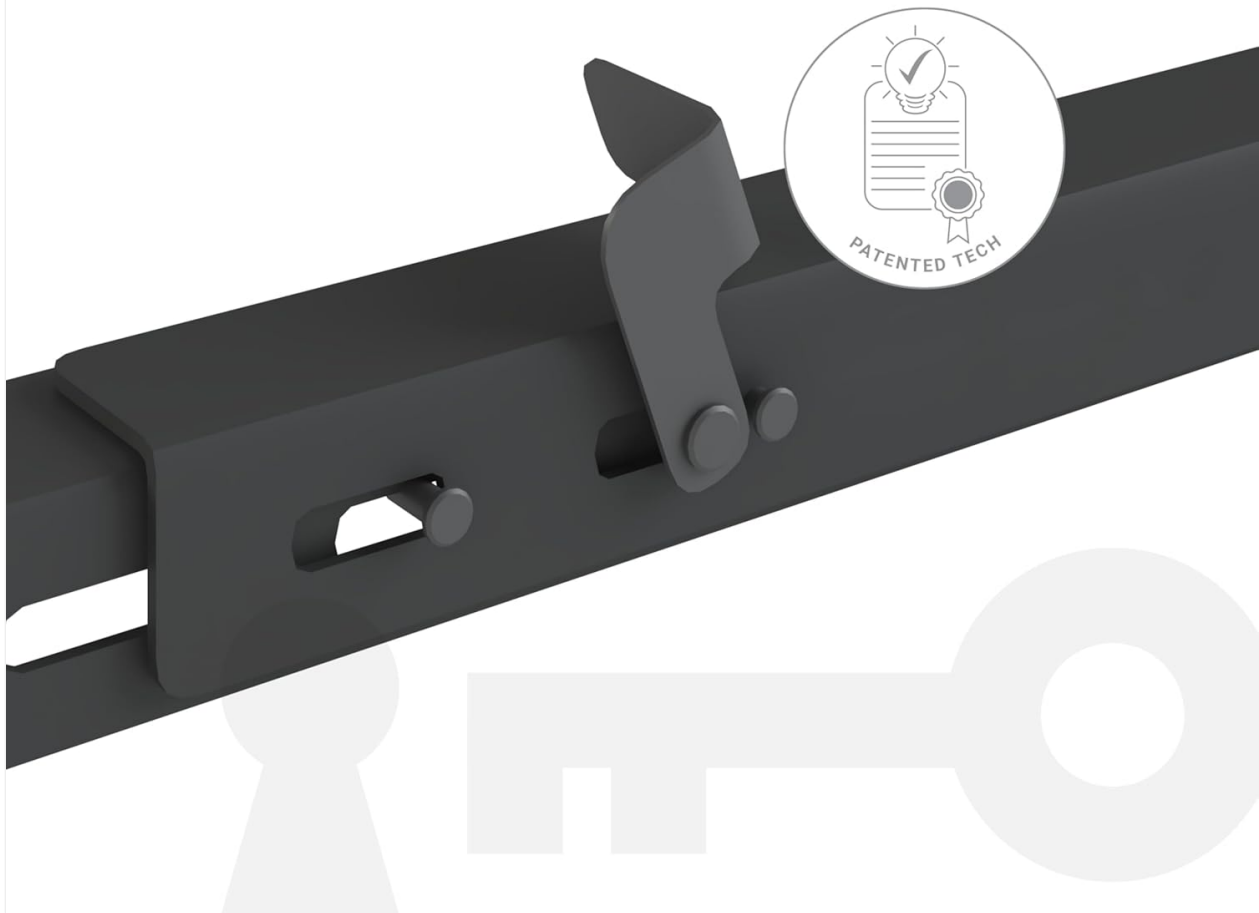


Image: This diagram further illustrates the adjustable sizes and specifies the number of legs used for each configuration, along with the 2,000 lbs weight capacity.

6. CARE AND MAINTENANCE

To ensure the longevity and optimal performance of your bed frame, follow these care guidelines:

- **Regular Inspection:** Periodically check all connections and the Lev-R-Lock mechanism to ensure they remain secure. Tighten any loose fasteners if necessary.
- **Cleaning:** Wipe the frame with a damp cloth to remove dust and debris. Avoid using harsh chemicals or abrasive cleaners, which could damage the finish.
- **Moving the Frame:** When moving the bed, always lift the frame rather than dragging it. Dragging can damage the legs, glides, or your flooring.
- **Weight Distribution:** Ensure weight is evenly distributed across the frame. Avoid placing excessive weight on one side or corner.

7. TROUBLESHOOTING

If you encounter any issues with your E3 Premium Bed Frame, refer to the following common solutions:

- **Frame feels unstable or wobbly:** Ensure all cross arms are fully extended to 90 degrees and the Lev-R-Lock mechanisms are engaged. Verify that the key glides are securely attached to all legs.
- **Difficulty adjusting size:** Make sure the Lev-R-Lock mechanism is in the 'up' (unlocked) position before

attempting to slide the frame sections to a new keyhole setting.

- **Squeaking noises:** Check all connection points for tightness. Sometimes, a small amount of lubricant (e.g., silicone spray) on metal-to-metal contact points can resolve squeaking.
- **Headboard not attaching:** Ensure your headboard is compatible with standard headboard brackets. Verify that the headboard brackets on the frame are correctly oriented and free from obstruction.

If these steps do not resolve your issue, please contact customer support.

8. PRODUCT SPECIFICATIONS

Feature	Detail
Model Number	7079BSG-I
Product Dimensions	70.5"L x 76.25"W x 7.25"H (Adjustable)
Special Feature	Adjustable
Color	Black
Finish Type	Painted
Included Components	Headboard Brackets
Compatible Mattress Sizes	Twin, Twin XL, Full, Queen, King, California King, Eastern King
Assembly Required	Yes
Item Weight	30 pounds
UPC	810869011464



Image: A detailed diagram showing the length, width, and height of the bed frame.

9. WARRANTY INFORMATION

The Hollywood Bed Frames E3 Premium Bed Frame comes with a **2-year warranty** from the date of purchase. This warranty covers manufacturing defects in materials and workmanship under normal use. It does not cover damage resulting from improper assembly, misuse, abuse, accidents, or unauthorized modifications. Please retain your proof of purchase for warranty claims. For detailed warranty terms and

conditions, please contact customer support.

10. CUSTOMER SUPPORT

For further assistance, questions, or to report any issues, please visit the official Hollywood Bed Frames store or contact their customer service department.

Visit the [Hollywood Bed Frames Store](#).