

Manuals+

[Q & A](#) | [Deep Search](#) | [Upload](#)

[manuals.plus](#) /

› [Storkcraft](#) /

› [Storkcraft Premium Hoop Glider & Ottoman Instruction Manual - Model 06550-6159](#)

Storkcraft 06550-6159

Storkcraft Premium Hoop Glider & Ottoman Instruction Manual

Model: 06550-6159

INTRODUCTION

Thank you for choosing the Storkcraft Premium Hoop Glider & Ottoman. This GREENGUARD Gold Certified 2-piece set is designed for comfort and durability, featuring solid wood craftsmanship and a smooth gliding motion. Each glider includes padded arm cushions with convenient side storage pockets. This manual provides essential information for assembly, operation, maintenance, and safety to ensure proper use of your product.



Image: The Storkcraft Premium Hoop Glider and Ottoman, featuring an espresso wood frame and soft gray swirl cushions, designed for comfort in a nursery setting.

SAFETY INFORMATION

Please read and understand all safety warnings before assembly and use. Failure to follow these instructions could result in serious injury.

- The maximum recommended weight capacity for this glider is **250 pounds**. Do not exceed this limit.
- Exercise caution during assembly to avoid potential hazards such as sharp edges or falling risks from rubberwood framing.
- Always ensure all hardware is securely tightened before use. Periodically check and re-tighten hardware as needed.
- Keep small parts and plastic bags away from children during and after assembly.
- Do not allow children to play on or around the glider unsupervised.

WHAT'S IN THE BOX

Upon opening the package, verify that all components are present:

- Glider Parts
- Ottoman Parts
- Hardware Pack
- Assembly Instructions Manual

If any parts are missing or damaged, do not proceed with assembly. Contact Storkcraft Customer Care for assistance.

SETUP AND ASSEMBLY

Assembly of the Storkcraft Premium Hoop Glider & Ottoman typically takes approximately 30 minutes. For optimal safety and ease, **two people are recommended for assembly.**

1. Unpack all components and lay them out on a soft, clean surface to prevent scratching.
2. Refer to the included detailed assembly instructions for step-by-step guidance.
3. Ensure all bolts, screws, and fasteners are tightened securely. Do not overtighten.
4. Attach the padded cushions to the glider frame as indicated in the instructions.

Smooth gliding motion



Enclosed metal ball bearings for a smooth forward-and-back glide.

storkcraft®

Image: Side view of the glider and ottoman, illustrating the smooth forward-and-back gliding motion facilitated by enclosed metal ball bearings.

OPERATING INSTRUCTIONS

The Storkcraft Premium Hoop Glider & Ottoman is designed for comfortable and gentle use.

- **Gliding Motion:** Sit comfortably in the glider and gently push off the floor with your feet to initiate the smooth, back-and-forth gliding motion. The ottoman will glide in sync with the chair.
- **Side Pockets:** Utilize the convenient side storage pockets located on each padded arm cushion. These are ideal for holding small items such as books, remote controls, or baby essentials.

MAINTENANCE

To maintain the appearance and longevity of your glider and ottoman, follow these care instructions:

- **Product Care:** Spot clean the fabric cushions as needed. For the wood frame, wipe clean with a soft, damp

cloth. Avoid harsh chemicals or abrasive cleaners.

- **Hardware Check:** Periodically inspect all bolts and screws to ensure they remain tight. Re-tighten if necessary to maintain stability and safety.
- **Gliding Mechanism:** The enclosed metal ball bearings are designed for smooth operation. If any squeaking occurs, ensure all assembly hardware is tight. Avoid applying lubricants unless specifically recommended by Storkcraft.

TROUBLESHOOTING

If you encounter any issues with your Storkcraft Premium Hoop Glider & Ottoman, consider the following:

- **Squeaking Noise:** If the glider or ottoman makes a squeaking sound, first check that all assembly hardware is securely tightened. Loose connections can cause friction and noise.
- **Uneven Gliding:** Ensure the glider is placed on a flat, level surface. Uneven flooring can affect the gliding mechanism.
- **Cushion Shifting:** The cushions are designed to be secured. If they shift excessively, verify they are properly attached according to the assembly instructions.

For persistent issues not resolved by these steps, please contact Storkcraft Customer Care.

SPECIFICATIONS

Feature	Detail
Model Number	06550-6159
Product Dimensions (L x W x H)	30.31 x 29.92 x 39.96 inches
Item Weight	46 pounds
Maximum Weight Recommendation	250 Pounds
Material	Wood (Rubberwood frame), 100% Polyester cushions
Seat Height	17.5 Inches
Special Features	Foot Rest, Side Pockets, GREENGUARD Gold Certified
Product Care Instructions	Spot Clean, Wipe Clean

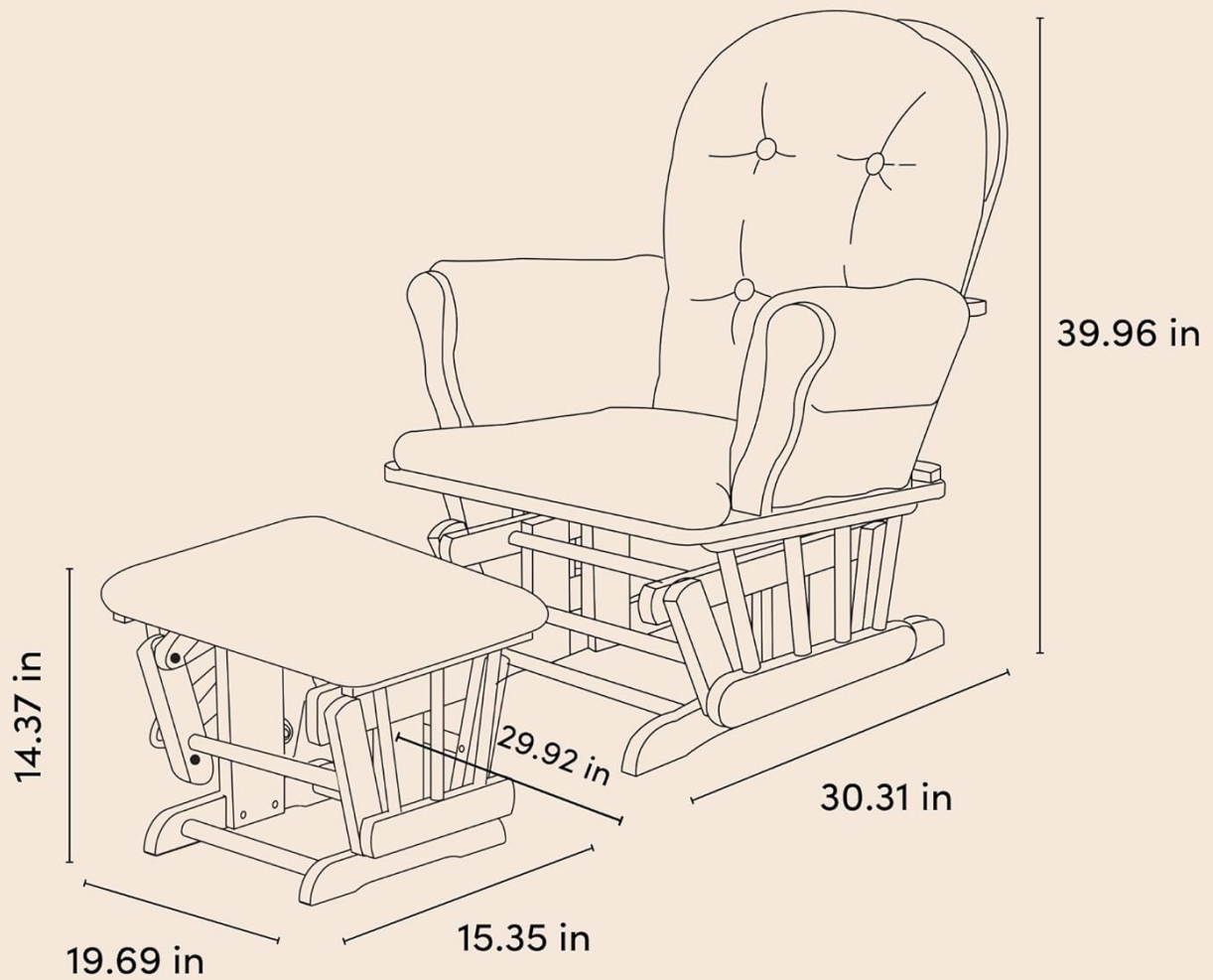


Image: Technical drawing displaying the dimensions of the Storkcraft Hoop Glider and Ottoman, including height, width, and depth measurements for both pieces.

WARRANTY AND SUPPORT

The Storkcraft Premium Hoop Glider & Ottoman is backed by Storkcraft's **1-year limited warranty**. For warranty claims, missing parts, or any product-related inquiries, please contact the Storkcraft Customer Care team. For further assistance, please visit the official Storkcraft website or refer to the contact information provided in your original packaging.

© 2025 Storkcraft. All rights reserved.

This manual is for informational purposes only. Storkcraft reserves the right to make changes to products without prior notice.

