



Manuals.plus /

- › CGOLDENWALL /
- › CGOLDENWALL 4.5kW Steam Generator User Manual

CGOLDENWALL CGoldenWall413

CGOLDENWALL 4.5kW Steam Generator User Manual

Model: CGoldenWall413

1. INTRODUCTION

This manual provides essential information for the safe and efficient installation, operation, and maintenance of your CGOLDENWALL 4.5kW Steam Generator. Please read these instructions thoroughly before installation and use, and retain them for future reference. This steam generator is designed to provide a consistent flow of soft and soothing steam for home shower and sauna applications.

2. SAFETY INFORMATION

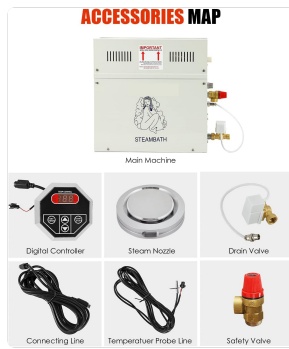
Important Safety Precautions:

- Ensure professional installation by a qualified electrician and plumber.
- The unit features protection against water shortage to prevent dry burning.
- Over-high temperature protection is integrated to ensure safe operation.
- An over-high pressure protection system, including a pressure safety valve, prevents issues from blocked steam outlets and internal tank expansion.
- Always follow local electrical and plumbing codes.

WARNING: Install with arrows pointing up. Unit must be able to operate properly. Caution: Disconnect all electrical service before opening the wiring panel. Service by authorized personnel only. See wiring diagram on reverse side of cover.

3. PRODUCT COMPONENTS

The CGOLDENWALL 4.5kW Steam Generator package includes the following main components and accessories:



Accessories Map: Main Machine, Digital Controller, Steam Nozzle, Drain Valve, Connecting Line, Temperature Probe Line, Safety Valve.



Auto Steam Outlet



Safety Valve



Water Inlet



Thermovent

4. INSTALLATION

Proper installation is critical for the safe and effective operation of your steam generator. Refer to the video below for a visual guide, and follow the detailed steps provided.

Your browser does not support the video tag.

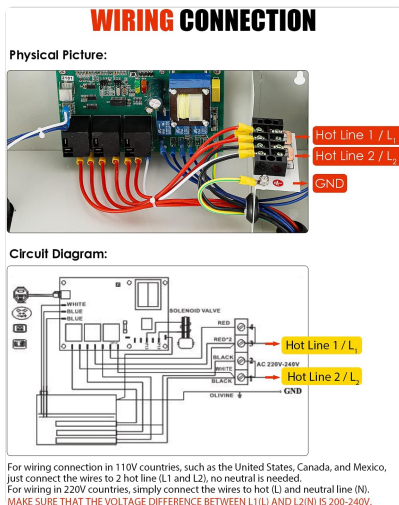
Video: CGOLDENWALL Luxury Steam Generator Shower Installation. This video demonstrates the step-by-step process for installing the steam generator, including plumbing and electrical connections.

4.1 Plumbing Connections

1. **Water Inlet:** Connect the water supply line to the designated water inlet on the steam generator. Ensure a secure, leak-free connection.
2. **Steam Outlet:** Connect the steam outlet hose to the steam generator and route it to the steam nozzle inside your shower or sauna space.
3. **Drain Line:** Connect the drain line. This model features an auto-drain function, eliminating the need for manual drainage. Ensure the drain line is properly routed to a suitable drainage point.



Steam generator with plumbing connections.



Detailed view of plumbing connections.


4.2 Electrical Wiring

Before making any electrical connections, ensure the main power supply is turned off. The unit requires specific wiring based on your country's voltage.

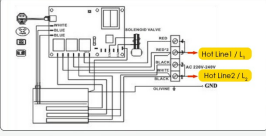
- **For 110V Countries (e.g., USA, Canada, Mexico):** Connect two 110V hot wires (L1 and L2) and one ground wire. No neutral wire is needed.
- **For 220V Countries:** Connect one 220V hot wire (L), one neutral wire (N), and one ground wire.
- **Important:** Ensure the voltage difference between L1(L) and L2(N) is 200-240V.

WIRING CONNECTION

Physical Picture:

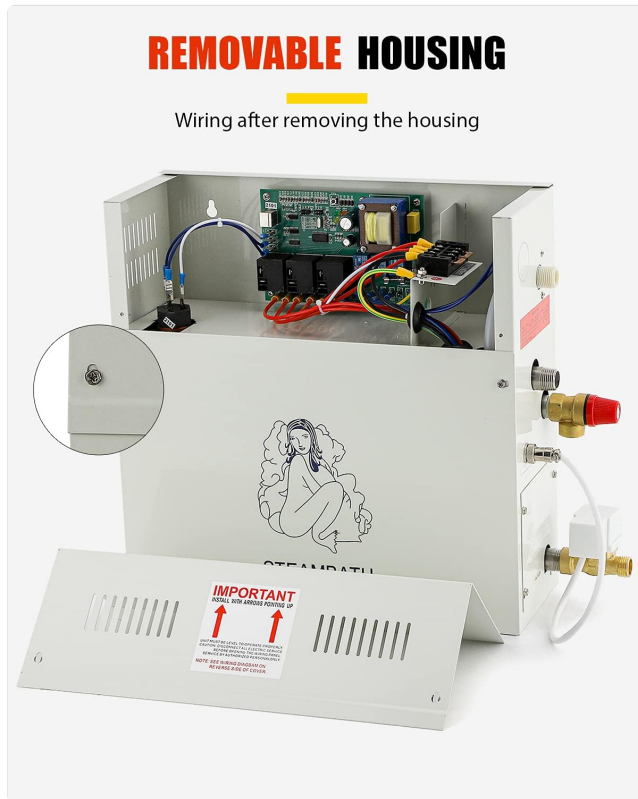


Circuit Diagram:



- Wiring in 110V countries like America, Canada and Mexico: TWO 110V hot wire(L1 and L2), ONE ground wire, NO neutral wire needed.
- Wiring in 220V countries: ONE 220V hot wire (L and N), ONE ground wire.
- MAKE SURE THAT THE VOLTAGE BETWEEN L1(L) AND L2(N) IS 200-240V.

Wiring connection diagram.



Internal wiring with housing removed.

4.3 Control Panel Connection

Connect the digital control panel (ST-135) to the steam generator. One end of the connecting line plugs into the steam generator's circuit board, and the other end connects to the control panel. The temperature probe line also connects to the control panel, with the sensor placed inside the steam room.

WATER PROOF CONTROLLER

Waterproof controller can be installed both inside and outside the steam room



DIGITAL DISPLAY CONTROL PANEL

The adjustable temperature range is 95 - 131°F

95

131

Digital control panel installation. It is recommended to install the controller outside the steam room to extend its service life.

5. OPERATION

Once installed and powered, the steam generator is ready for use. The ST-135 control panel allows for easy adjustment of settings.

- **Temperature Setting:** The adjustable temperature range is 95 - 131°F (35 - 55°C). Use the control panel to set your desired steam temperature.
- **Timing Function:** Set the desired duration for your steam session using the control panel.
- **Fragrance Reservoir:** For an enhanced experience, add essential oils or perfumes to the dedicated fragrance reservoir. This allows the aroma to diffuse with the steam.

RESERVOIR FOR FRAGRANCES

When you sauna, the smell of essential oil and perfume can soothe the nerves.



Steam Vent



Adding fragrance to the steam vent for aromatherapy.

6. MAINTENANCE

The CGOLDENWALL Steam Generator is designed for minimal maintenance.

- **Automatic Drainage:** The unit features an automatic drainage function, which helps prevent mineral buildup and extends the life of the generator. No manual draining is required.
- **Regular Inspection:** Periodically inspect all connections for leaks and ensure the steam nozzle is clear of obstructions.

7. TROUBLESHOOTING

This section will be updated with common troubleshooting steps. For immediate assistance, please refer to the support information below.

8. SPECIFICATIONS

Detailed technical specifications for the CGOLDENWALL 4.5kW Steam Generator:

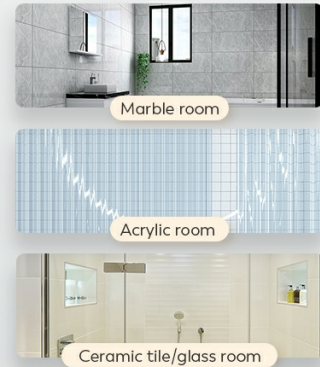
Feature	Specification
Manufacturer	CGOLDENWALL
Part Number	CGoldenWall413
Item Weight	22.2 pounds
Product Dimensions	12.6 x 5.12 x 13.19 inches
Color	White
Style	Modern
Material	Metal
Shape	Square
Power Source	Corded Electric
Voltage	220 Volts
Wattage	4.5 KW
Item Package Quantity	1
Type of Bulb	LED (for indicator lights)
Special Features	Steam Generator
Controller	ST-135 LED digital display
Suitable Space Heating	Up to 5m ³ (approx. 176 cubic feet)
Temperature Setting Range	95 - 131°F (35 - 55°C)

8.1 Room Size Compatibility

The ideal steam generator size depends on your shower space material and volume. Refer to the table below for guidance:

HOW TO CHOOSE THE IDEAL SIZE OF STEAM GENERATOR FOR YOUR SHOWER SPACE?

Power	Vol	Breaker required	Wire (AWG)	Acrylic room (Cubic feet)	Ceramic tile glass room (Cubic feet)	Marble room (Cubic feet)	L*W*H (in)
3KW	220v	18A	12	106	71	42	15.7*5.1*9.1
4.5KW	220v	25A	8	159	106	63.5	16.5*5.1*13.2
6KW	220v	40A	8	212	141	85	19.5*5.9*15.6
9KW	220v	50A	8	318	212	127	21.5*6.5*15.6
10.5KW	220v	60A	6	371	247	148	23.6*7.9*20.5
12KW	220v	70A	6	423	282	169	23.6*7.9*20.5



Steam generator room size compatibility chart.

9. WARRANTY AND SUPPORT

CGOLDENWALL is committed to customer satisfaction. For any technical assistance or support, please utilize the online technical support provided by the manufacturer.

CGOLDENWALL

Brand Concept:

Honesty, Innovation and Quality First

Brand Tenet:

Drive product development with concepts and improve customers' quality of life with **high-quality service**

We provide:

Online **technical support**

Contact Us



CGOLDENWALL provides online technical support.