



[Manuals.plus](#) /

› [SUPERNIGHT](#) /

› SUPERNIGHT LED RGB Music Touch Controller Instruction Manual (Model EXPSFD006621)

SUPERNIGHT EXPSFD006621

SUPERNIGHT LED RGB Music Touch Controller Instruction Manual

Brand: SUPERNIGHT | Model: EXPSFD006621

1. INTRODUCTION

This manual provides detailed instructions for the installation, operation, and maintenance of your SUPERNIGHT LED RGB Music Touch Controller. This device is designed to control RGB LED lighting systems, offering various color options and music synchronization modes for an enhanced lighting experience.

Key Features:

- Controlled by radio-frequency capacitive touch, with an effective control distance up to 20 meters.
- LED backlight for convenient night use.
- Integrated 3.5MM audio input for non-interfered music mode functionality.
- Exquisite color changing with Pulse Width Modulation (PWM) technology.
- Compatible with various constant voltage RGB lamps, including RGB strip lights, RGB panel lights, and RGB light modules.

2. SAFETY INFORMATION

Please read and understand all safety instructions before installation and use. Failure to follow these instructions may result in electric shock, fire, or other hazards.

- Ensure the power supply is disconnected before any installation or wiring.
- This device is designed for low voltage DC power (12V-24V). Do not connect directly to AC power.
- Ensure proper polarity when connecting power and LED strips. Incorrect wiring can damage the device and LED lights.
- Do not expose the controller to moisture or extreme temperatures.
- Keep out of reach of children.

3. PACKAGE CONTENTS

Verify that all items listed below are included in your package:

- SUPERNIGHT LED RGB Music Touch Controller Unit
- RF Touch Remote Control
- 3.5mm Audio Cable
- User Manual



Image 3.1: Complete package contents of the SUPERNIGHT LED RGB Music Touch Controller.

4. PRODUCT OVERVIEW

4.1 Controller Unit



Image 4.1: The main controller unit with power input (12-24VDC) and RGB output terminals.

4.2 Remote Control

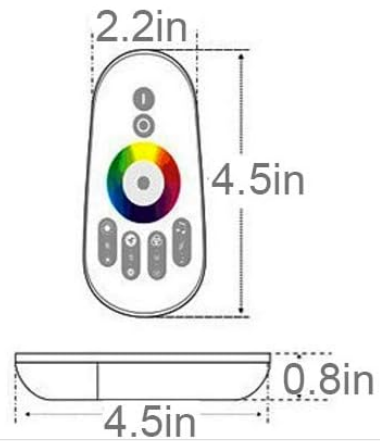
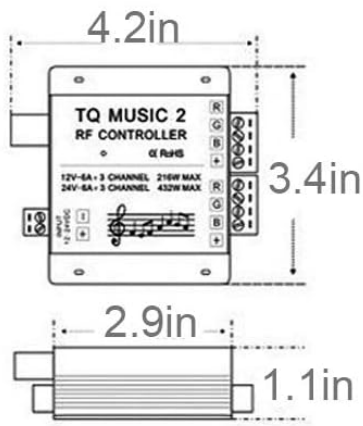


Image 4.2: The RF Touch Remote Control, used for color selection, mode changes, and brightness adjustments.

4.3 Dimensions

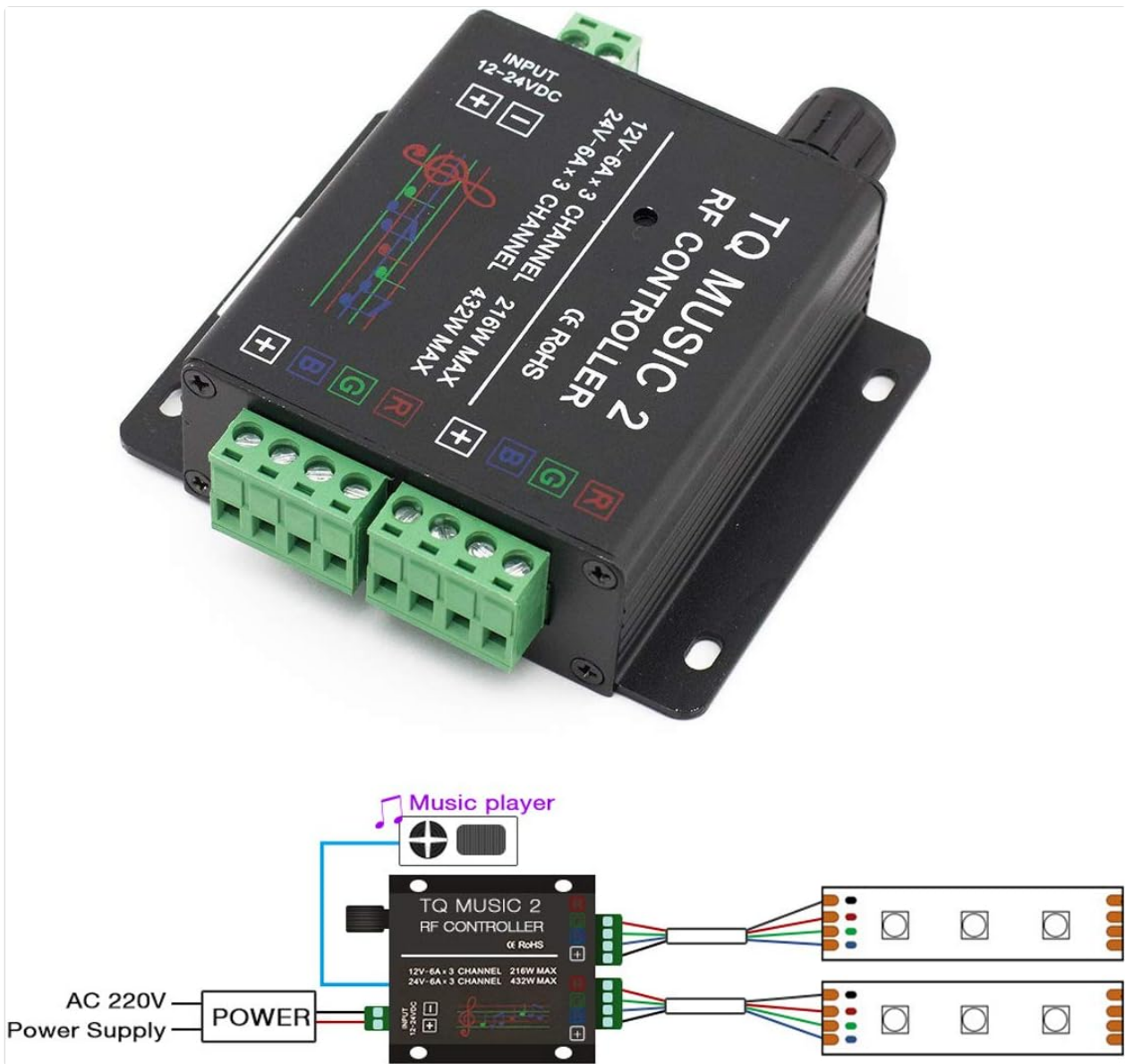


Image 4.3: Dimensional drawings for both the controller unit and the remote control.

5. SETUP

Follow these steps to correctly connect your SUPERNIGHT LED RGB Music Touch Controller to your LED strips and power supply.

5.1 Wiring Diagram

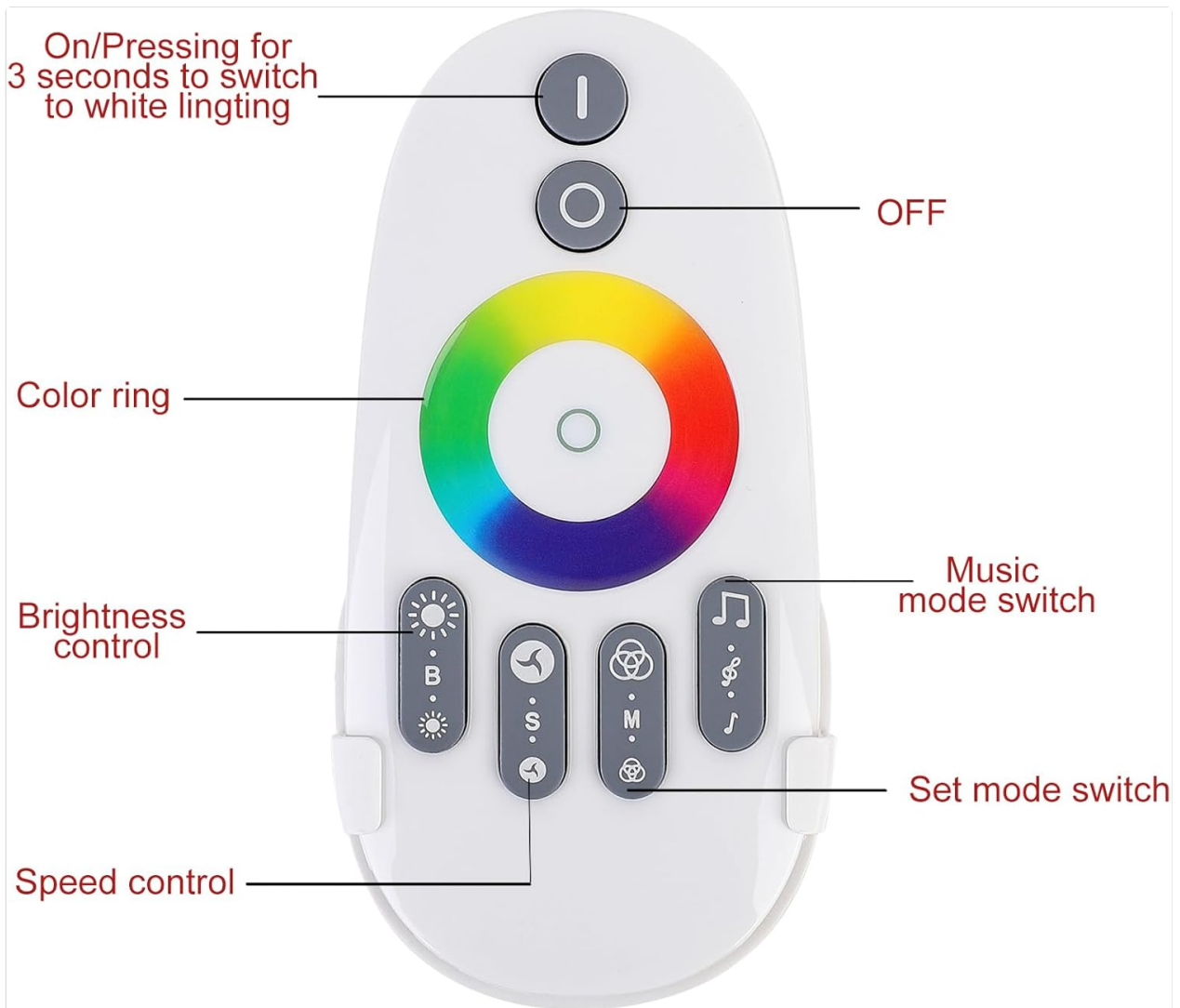


Image 5.1: Wiring diagram illustrating the connection of the controller to a power supply and two RGB LED strips.

5.2 Connection Steps

1. **Power Supply Connection:** Connect your 12V-24V DC power supply to the 'INPUT 12-24VDC' terminals on the controller. Ensure correct polarity (+ to + and - to -).
2. **LED Strip Connection:** Connect your RGB LED strip(s) to the output terminals. Match the R, G, B, and + terminals from the LED strip to the corresponding terminals on the controller. The controller supports up to two separate RGB outputs.
3. **Audio Input (Optional):** If using music modes, connect the provided 3.5mm audio cable from your audio source (e.g., smartphone, MP3 player) to the 3.5mm audio jack on the controller.
4. **Power On:** Once all connections are secure, connect the power supply to a wall outlet. The LED lights should illuminate according to the last saved setting or a default mode.

6. OPERATING INSTRUCTIONS

The RF Touch Remote Control allows for easy and intuitive control of your LED lighting system.

6.1 Remote Control Functions



Image 6.1: Remote control layout with labeled buttons for various functions.

- **Power Button (Top Left):** Press to turn the lights on or off. Press and hold for 3 seconds to switch to white lighting mode.
- **OFF Button (Top Right):** Turns the lights off.
- **Color Ring (Center):** Touch the color ring to select a static color. The selected color will be displayed on the LED backlight of the remote.
- **Brightness Control (Left Column, Sun Icons):** Adjusts the brightness of the selected color or dynamic mode.
- **Speed Control (Bottom Left, S Icons):** Adjusts the speed of dynamic modes.
- **Music Mode Switch (Right Column, Music Note Icons):** Cycles through the 15 available music synchronization modes.
- **Set Mode Switch (Bottom Right, M Icons):** Cycles through various pre-programmed dynamic color changing modes.

6.2 Music Modes

The controller features 15 distinct music modes that synchronize the LED lights with audio input. When the 3.5mm audio cable is connected, the controller will react to the music's rhythm and volume. Ensure your audio source is playing and the volume is adequate for optimal light synchronization.

Video 6.2: Demonstration of the SUPERNIGHT LED RGB Music Touch Controller's music synchronization capabilities. This video illustrates how the LED lights respond to audio input, showcasing various dynamic lighting effects.

7. MAINTENANCE

To ensure the longevity and optimal performance of your SUPERNIGHT LED RGB Music Touch Controller, follow these maintenance guidelines:

- **Cleaning:** Use a soft, dry cloth to clean the controller and remote. Do not use abrasive cleaners or solvents.
- **Storage:** Store the device in a cool, dry place away from direct sunlight and extreme temperatures when not in use for extended periods.
- **Battery Replacement:** The remote control requires 2 AAA batteries (not included). Replace batteries when the remote's response becomes sluggish or the backlight dims.

8. TROUBLESHOOTING

If you encounter issues with your controller, refer to the following common problems and solutions:

- **Lights not turning on:**
 - Check power supply connection and ensure it is providing the correct voltage (12V-24V DC).
 - Verify LED strip connections for correct polarity and secure contact.
 - Ensure remote control batteries are not depleted and are inserted correctly.
- **Remote not responding:**
 - Replace remote control batteries.
 - Ensure there are no significant RF interferences nearby.
 - The remote uses RF, so direct line of sight is not required, but extreme distances or thick obstacles may reduce range.
- **Music mode not working or lights not synchronizing:**
 - Ensure the 3.5mm audio cable is securely connected to both the controller and the audio source.
 - Increase the volume on your audio source.
 - Try a different audio source or cable to rule out faulty equipment.
- **Incorrect colors displayed:**
 - Verify that the R, G, B wires from the LED strip are connected to the corresponding R, G, B terminals on the controller.
 - Some LED strips may have a different color order; try swapping the R and G wires if colors appear inverted.

9. SPECIFICATIONS

| Feature | Detail |
|---------|------------|
| Brand | SUPERNIGHT |

| Feature | Detail |
|------------------------|----------------------------------|
| Model Number | EXPSFD006621 |
| Control Method | RF Remote Control, Touch Control |
| Input Voltage | 12V-24V DC |
| Max Output Power (12V) | 216W (6A x 3 channels) |
| Max Output Power (24V) | 432W (6A x 3 channels) |
| Light Source Type | LED (RGB) |
| Control Distance | Up to 20 meters (RF) |
| Audio Input | 3.5mm Jack |
| Number of Music Modes | 15 |
| Remote Batteries | 2 AAA batteries (not included) |
| Item Weight | 0.55 Pounds (approx. 8.8 ounces) |
| Finish | Metal housing |

10. WARRANTY AND SUPPORT

For warranty information or technical support, please refer to the product packaging or contact SUPERNIGHT customer service through the retailer where the product was purchased. Keep your purchase receipt as proof of purchase.