



[Manuals.plus](#) /

› [CorLiving](#) /

› CorLiving 9.5ft Tilting Offset Patio Umbrella (Model PPU-460-U) Instruction Manual

CorLiving PPU-460-U

CorLiving 9.5ft Tilting Offset Patio Umbrella (Model PPU-460-U) Instruction Manual

INTRODUCTION

This manual provides comprehensive instructions for the assembly, operation, and maintenance of your CorLiving 9.5ft Tilting Offset Patio Umbrella, Model PPU-460-U. This versatile umbrella is designed to provide a comfortable shaded area for your patio, deck, or garden. Constructed with a durable steel frame and UV-resistant polyester fabric, it is built to withstand outdoor elements. Please read these instructions carefully before assembly and use to ensure proper function and longevity of your product.



Image: CorLiving 9.5ft Tilting Offset Patio Umbrella providing shade over an outdoor seating area by a pool.

SAFETY INFORMATION

- Always close the umbrella during strong winds, heavy rain, or when not in use to prevent damage and ensure safety.
- Secure the cross base with appropriate umbrella base weights (sold separately) to prevent tipping. Compatible base weights include ASINs B01FVM1H44, B07R1ZQSFZ, B07QXM5GP4.
- Do not attempt to use the umbrella without a properly weighted base.
- Keep children and pets away from the umbrella during opening and closing operations.
- Ensure all bolts and connections are tightened securely before each use.
- Avoid placing the umbrella near open flames or heat sources.

PACKAGE CONTENTS

Verify that all components are present before beginning assembly:

- Umbrella Canopy with Frame

- Main Pole
- Cross Base
- Assembly Hardware (bolts, washers, nuts)

SETUP AND ASSEMBLY

Simple assembly is required. Follow these steps:

1. **Assemble the Cross Base:** Lay out the cross base components. Attach the four base arms to the central pole support using the provided hardware. Ensure all connections are tight.



Image: Assembled cross base for the patio umbrella.

2. **Attach the Main Pole:** Insert the main pole into the assembled cross base. Secure it with the appropriate bolts and tighten firmly.
3. **Mount the Umbrella Canopy:** Carefully attach the umbrella canopy and its arm assembly to the top of the main pole. Ensure all locking mechanisms and bolts are engaged and tightened.







Image: CorLiving offset patio umbrella in folded position, ready for use.

4. **Secure the Base:** Place heavy base weights (not included) onto the cross base to provide stability. This is crucial for safe operation.

OPERATING INSTRUCTIONS

Opening and Closing the Umbrella

The umbrella features a crank lift mechanism for easy opening and closing.

- **To Open:** Turn the crank handle clockwise until the canopy is fully extended. Do not overtighten.
- **To Close:** Turn the crank handle counter-clockwise until the canopy is fully retracted and folded. Secure the canopy with the attached strap if available.



Image: Crank mechanism for opening and closing the umbrella.

Tilting the Canopy

The tilting mechanism allows you to adjust the canopy's angle to block the sun at various positions.

- **To Tilt:** Locate the tilt lever on the main pole. Press or pull the lever (depending on design) and adjust the canopy to the desired angle. Release the lever to lock the canopy in place.



Image: Tilt lever for adjusting the canopy angle.

MAINTENANCE

- **Cleaning:** Wipe the umbrella canopy and frame with a dry cloth to remove dust and debris. For stubborn dirt, use a mild soap solution and rinse thoroughly, allowing it to air dry completely before closing or storing.
- **Storage:** When not in use for extended periods, especially during off-season or severe weather, close the umbrella and secure it with the strap. Consider using an umbrella cover (sold separately) for added protection. Store in a dry, sheltered area.
- **Inspections:** Periodically check all bolts and connections for tightness. Ensure the crank and tilt mechanisms operate smoothly. Lubricate moving parts if necessary.







Image: Umbrella canopy folded and secured with a strap for storage.

TROUBLESHOOTING

- **Umbrella is unstable:** Ensure the cross base is properly assembled and all bolts are tightened. Add sufficient base weights (e.g., sandbags or water-filled bases) to secure the umbrella.
- **Crank mechanism is stiff:** Check for any obstructions. Apply a silicone-based lubricant to the moving parts of the crank mechanism.
- **Canopy does not tilt:** Verify that the tilt lever is fully engaged or disengaged as required. Check for any debris or damage preventing movement.
- **Fabric fading:** Over time, exposure to UV rays can cause some fading. Regular cleaning and using an umbrella cover when not in use can help minimize this.
- **Damage from wind:** Always close the umbrella in windy conditions. Wind damage is typically not covered under warranty.

SPECIFICATIONS

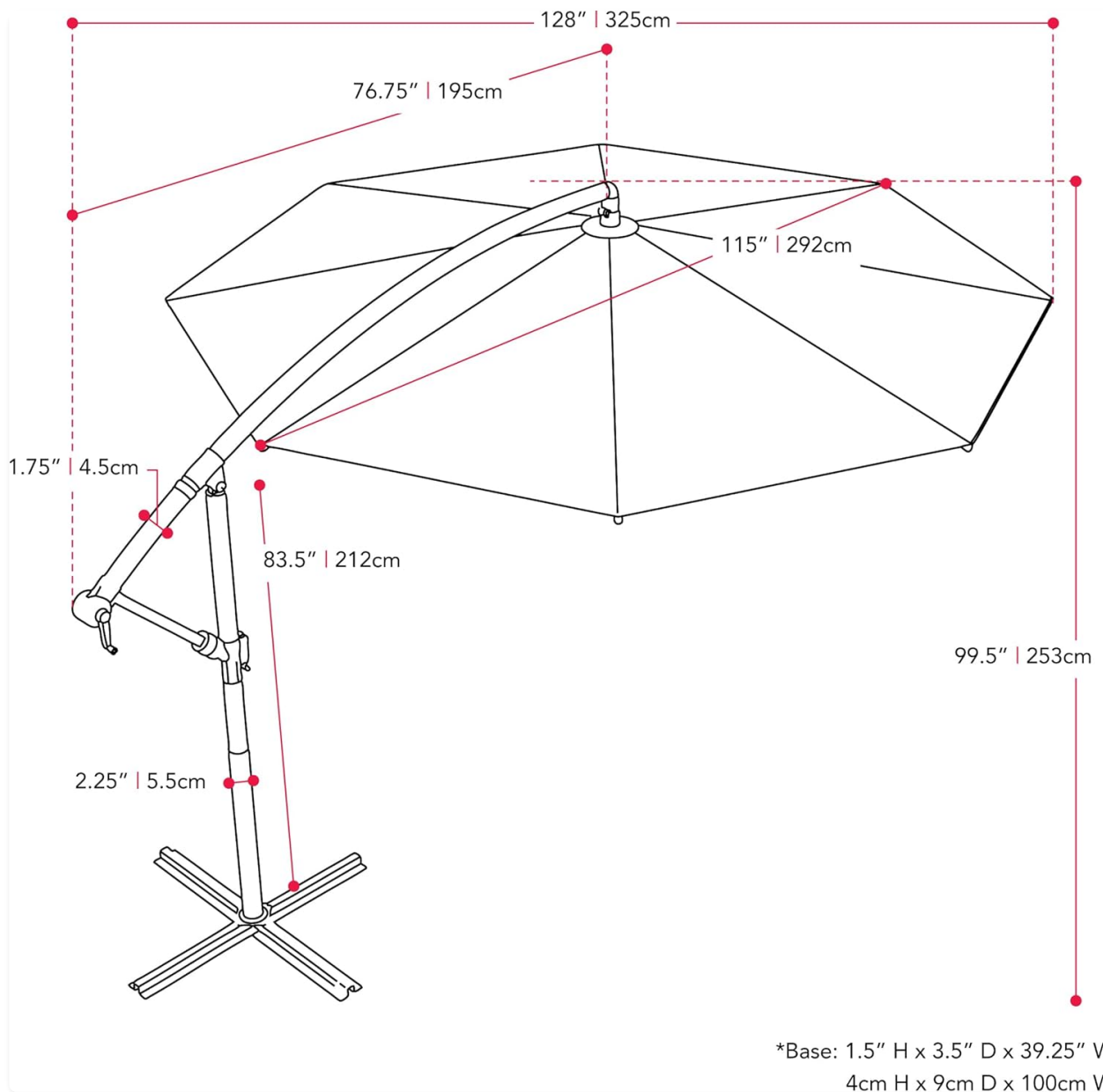


Image: Dimensional drawing of the umbrella.

Feature	Detail
Model Number	PPU-460-U
Product Dimensions	292.1 x 335.28 x 251.46 cm (115" W x 128" D x 99.5" H)
Item Weight	11.79 kg (26 Pounds)
Canopy Size	9.5 ft (Octagonal)
Colour	Turquoise Blue
Frame Material	Alloy Steel
Handle Material	Alloy Steel
Special Feature	Offset Tilting Umbrella
Opening Mechanism	Crank Lift

Feature	Detail
Included Components	Base
Product Care Instructions	Wipe With Dry Cloth

WARRANTY INFORMATION

CorLiving products are manufactured to high-quality standards. For specific warranty details regarding your PPU-460-U umbrella, please refer to the warranty card included with your purchase or visit the official CorLiving website. Keep your proof of purchase for any warranty claims.

SUPPORT

If you have any questions, require assistance with assembly, or need to report missing/damaged parts, please contact CorLiving customer support. Refer to the contact information provided in your product packaging or on the official CorLiving website for the most up-to-date support channels.