

NEEWER HW-05

NEEWER HW-05 Stainless Steel Lens Spanner Wrench Instruction Manual

Model: HW-05

1. PRODUCT OVERVIEW

The NEEWER HW-05 is a professional stainless steel lens spanner wrench designed for the precise disassembly and maintenance of camera and telescope lenses. This tool facilitates the removal of retaining rings without causing damage to optical components.

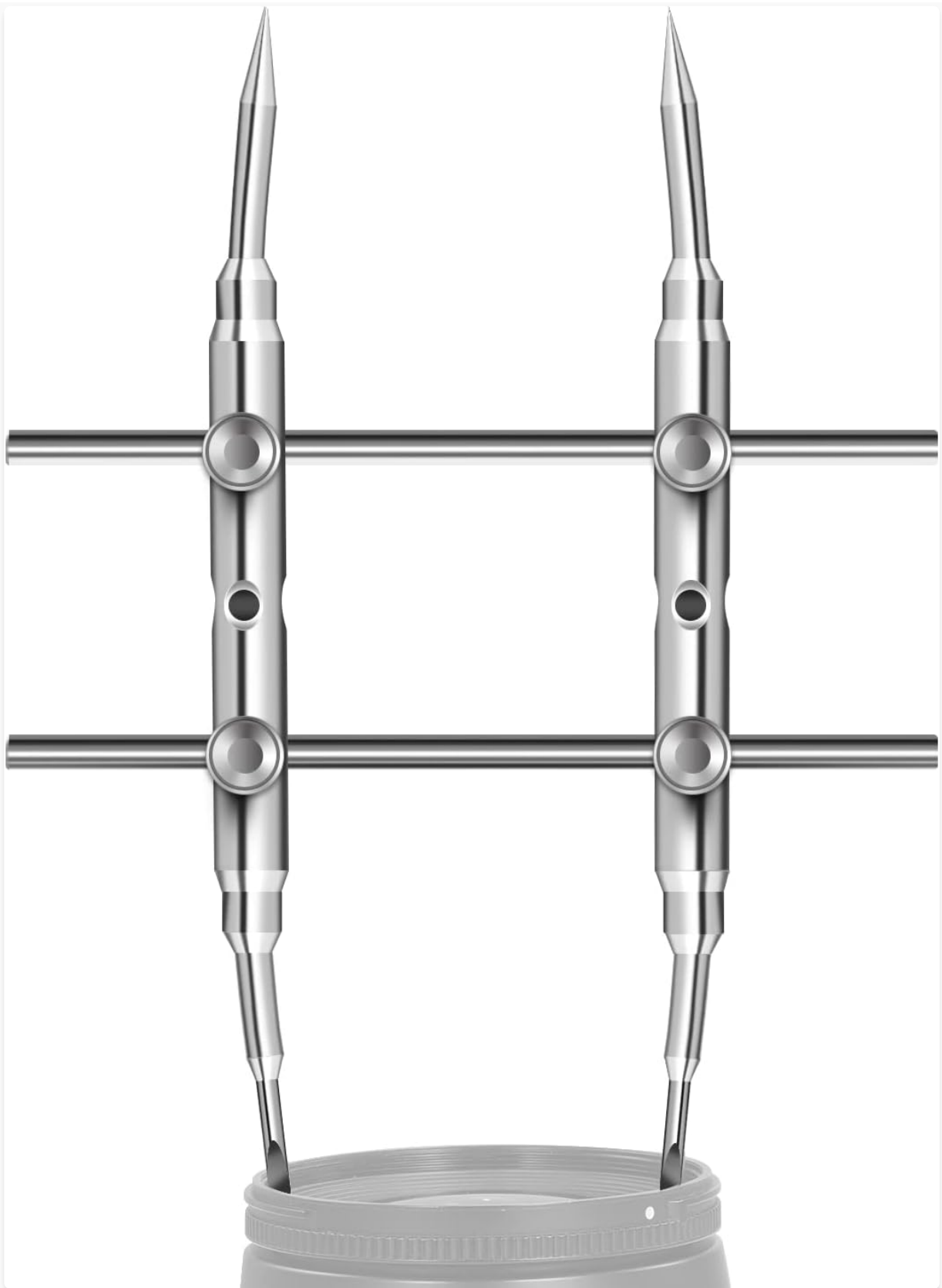


Image 1.1: The NEEWER HW-05 Stainless Steel Lens Spanner Wrench, showcasing its dual-arm design.

Key Features:

- **Professional Design:** Engineered for disassembling and cleaning lenses without scratching. Suitable for DSLR camera lenses and telescope lenses.
- **Double-Sided Tips:** Features both pointy and flat tips to accommodate standard hole notches and slotted notches on lens retaining rings.
- **Curved Tip with Adjustable Opening:** The curved design allows for both inward and outward curvature, fitting convex lenses and slanted retaining rings. Arms are adjustable from 5mm to 110mm in

diameter.

- **Secure Grip:** Provides a firm grip for safe removal of camera lenses, telescope eyepieces, and bird-watching goggles.
- **Durable Construction:** Made from stainless steel for enhanced durability and a modern aesthetic.

2. SETUP INSTRUCTIONS

Follow these steps to assemble and prepare your NEEWER HW-05 Lens Spanner Wrench for use.

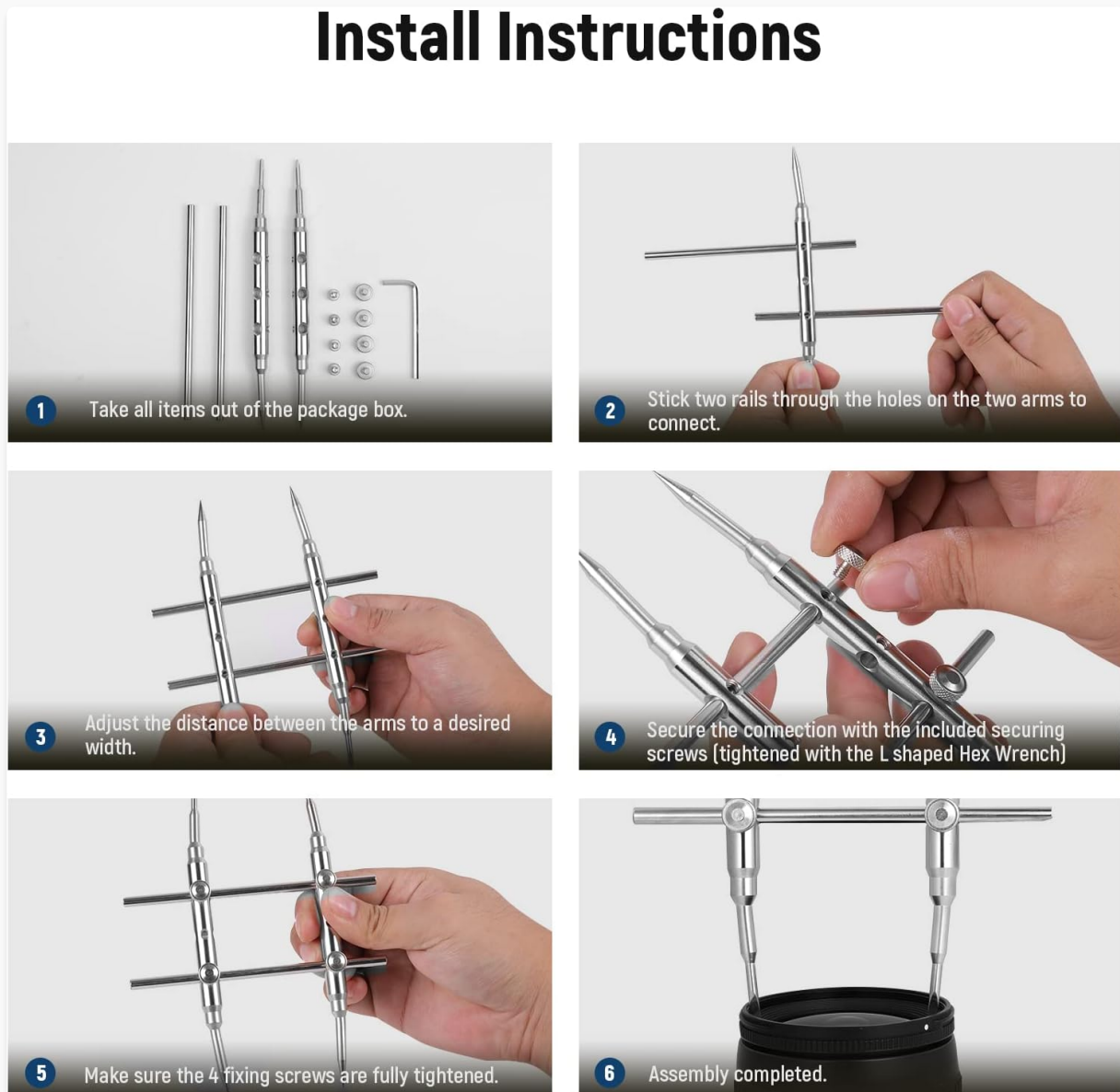


Image 2.1: Visual guide for assembling the lens spanner wrench.

1. **Unpack Components:** Carefully remove all items from the package box. Verify that you have one lens spanner wrench (two main arms), two connecting rails, four securing screws, and one L-shaped hex wrench.
2. **Connect Arms:** Insert the two connecting rails through the designated holes on the two main arms to link them together.
3. **Adjust Width:** Adjust the distance between the two arms to achieve the desired width, matching the size of the lens retaining ring you intend to work on.
4. **Secure Connection:** Use the four included securing screws to firmly lock the arms and rails in place.

For extra stability, tighten these screws with the provided L-shaped hex wrench.

5. **Final Check:** Ensure all four fixing screws are fully tightened before proceeding with any repair work.
6. **Assembly Completed:** The tool is now assembled and ready for use.

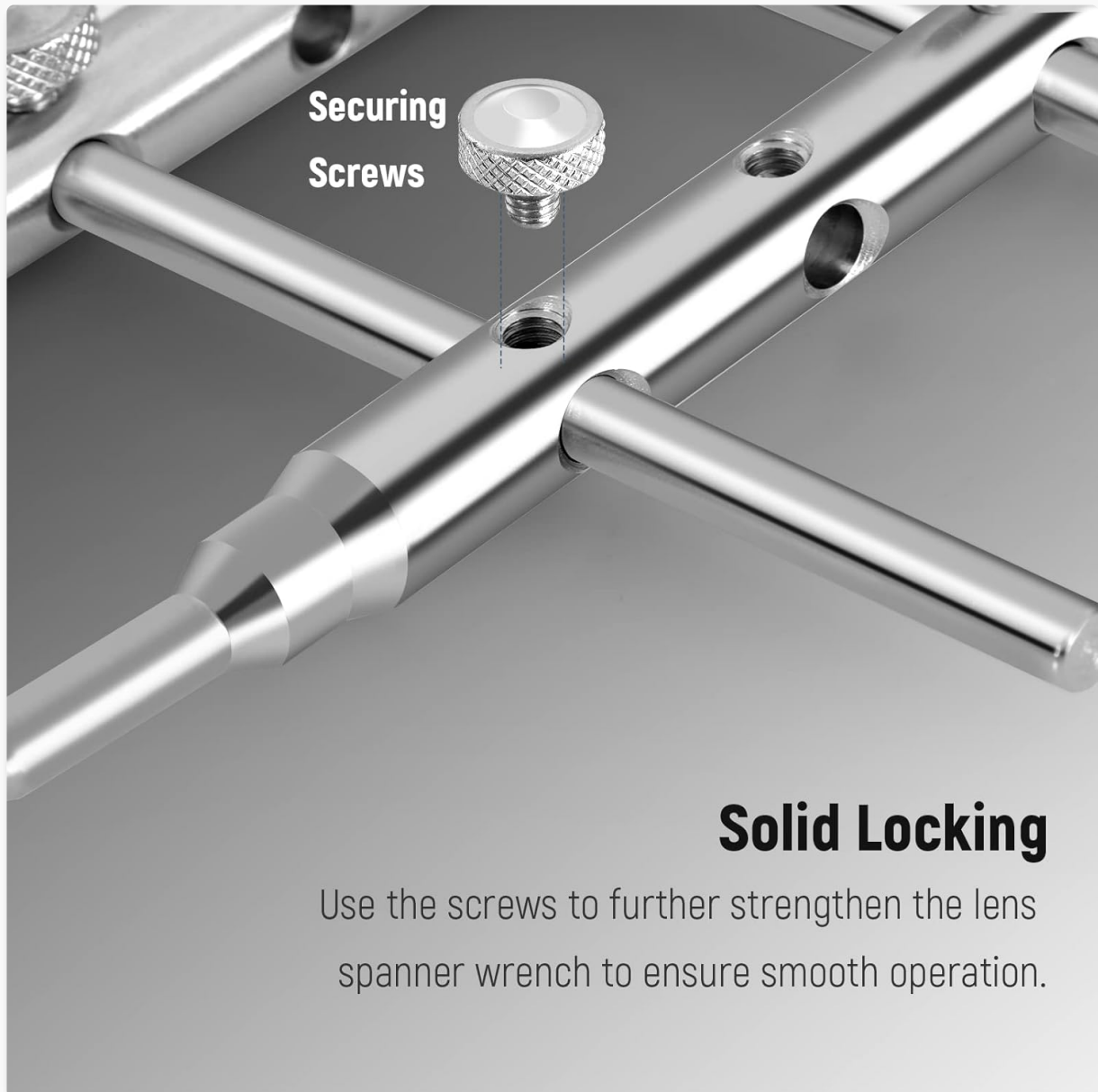


Image 2.2: Detail of the securing screws, highlighting their role in maintaining tool stability.

3. OPERATING INSTRUCTIONS

The NEEWER HW-05 is designed for precision work on optical components. Proper operation ensures effective and damage-free repairs.

3.1 Selecting the Correct Tips

The wrench comes with both pointy and flat tips. Choose the tip type that best matches the retaining ring's notches:

- **Pointy Tips:** Ideal for retaining rings with small, circular holes or indentations.
- **Flat Tips:** Suitable for retaining rings with slotted notches.

Equipped with both **Flat and Pointed tips**



Image 3.1: Illustration of the flat and pointy tips, demonstrating their application on different retaining ring types.

3.2 Adjusting for Lens Diameter and Curvature

The arms of the wrench can be adjusted to fit lenses ranging from 5mm to 110mm in diameter. The curved design of the tips allows for flexibility:

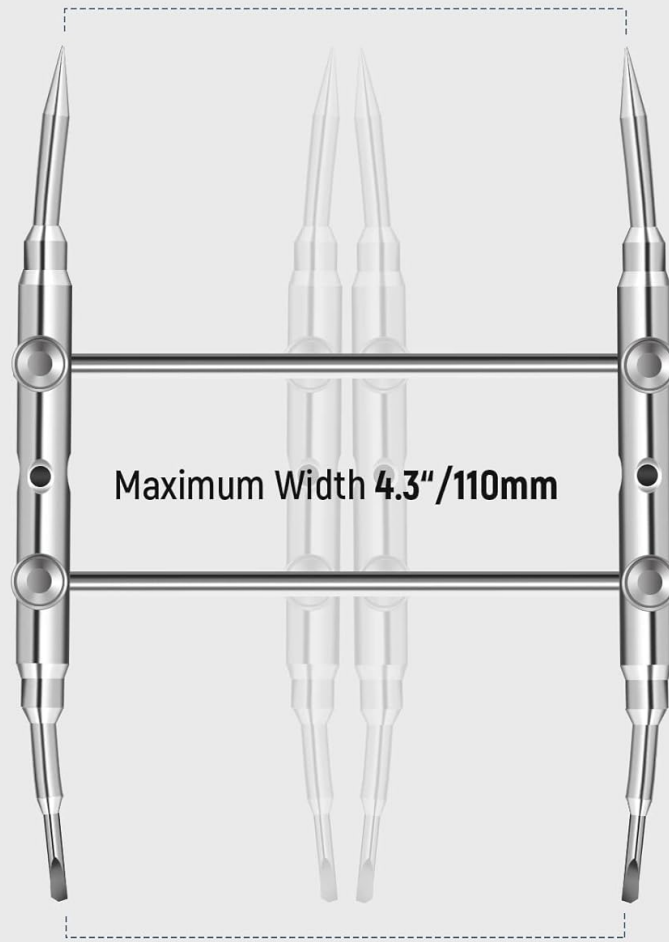
- **Width Adjustment:** Loosen the securing screws, slide the arms along the rails to the desired width, and then re-tighten the screws firmly.
- **Curved Application:** The tips can be oriented to curve either inward or outward, which is particularly useful for convex lenses or those with uniquely angled retaining rings.



Curved Design

Easier to curve inward
and outward

Image 3.2: The curved tip design, illustrating its ability to adapt to various lens shapes.



Fit Lenses of 5-100mm Diameter

Image 3.3: Diagram indicating the adjustable range of the wrench, fitting lenses from 5mm to 110mm.

3.3 Application

Once the tips are selected and the width is adjusted, carefully engage the tips into the notches of the lens retaining ring. Apply gentle, even pressure and rotate to loosen or tighten the ring. Always ensure a firm grip on the tool and the lens to prevent slippage and potential damage.

Widely Applicable



Eyepiece



Bird Watching Goggles



Camera Lens

Image 3.4: The wrench's versatility, shown with a telescope eyepiece, bird watching goggles, and a camera lens.

4. CARE AND MAINTENANCE

To ensure the longevity and optimal performance of your NEEWER HW-05 Lens Spanner Wrench, follow these maintenance guidelines:

- **Cleaning:** After each use, wipe the tool with a clean, dry cloth to remove any dust, oils, or debris. For stubborn grime, a slightly damp cloth can be used, followed by thorough drying.
- **Storage:** Store the wrench in a dry, clean environment, preferably in its original packaging or a dedicated tool case, to prevent corrosion and physical damage.
- **Inspection:** Periodically inspect the tips for any signs of wear or damage. Replace if necessary to maintain precision and prevent damage to lenses.
- **Screw Tightness:** Regularly check the tightness of the securing screws. If they become loose, re-tighten them with the L-shaped hex wrench to ensure stability during operation.

5. TROUBLESHOOTING

If you encounter issues while using your NEEWER HW-05 Lens Spanner Wrench, consider the following common solutions:

- **Tool Slipping During Use:**
 - Ensure all four securing screws are fully tightened using the L-shaped hex wrench. Hand-tightening alone may not provide sufficient grip for high-torque applications.
 - Verify that the correct tip (pointy or flat) is being used for the specific retaining ring notches.
 - Confirm that the tips are properly seated in the retaining ring notches before applying rotational force.
- **Difficulty Adjusting Width:**
 - Loosen the securing screws sufficiently to allow free movement of the arms along the rails.
 - Clean the rails and the arm channels if there is any debris obstructing movement.
- **Tips Not Engaging Properly:**
 - Check if the tips are worn or damaged. Worn tips may not provide adequate grip.
 - Ensure the tips are oriented correctly for the lens's curvature (inward or outward).

6. PRODUCT SPECIFICATIONS

Feature	Specification
Product Dimensions	6.57 x 4.72 x 1.18 inches
Item Weight	6.8 ounces
Model Number	HW-05 (Internal: 10074623)
Material	Stainless Steel
Adjustable Diameter Range	5mm to 110mm
Compatible Devices	Camera lenses, Telescope lenses, Eyepieces, Bird watching goggles
UPC	808023419874

7. WARRANTY AND SUPPORT

NEEWER products are manufactured to high-quality standards. For specific warranty information, please refer to the warranty card included with your purchase or visit the official NEEWER website.

For technical support, product inquiries, or assistance with your NEEWER HW-05 Lens Spanner Wrench, please contact NEEWER customer service through their official channels. You can find more information and contact options on the [NEEWER Brand Store](#).

