

Manuals.plus /

- › Bosch /
- › Bosch GSH 11 E Demolition Hammer User Manual

Bosch GSH 11 E

Bosch GSH 11 E Demolition Hammer User Manual

Model: GSH 11 E

1. INTRODUCTION

This manual provides essential information for the safe and effective operation, maintenance, and troubleshooting of your Bosch GSH 11 E Demolition Hammer. Please read these instructions carefully before using the tool and keep them for future reference.



Image: The Bosch GSH 11 E Demolition Hammer, a powerful tool designed for heavy-duty demolition tasks, shown with a chisel bit installed.

2. GENERAL SAFETY INSTRUCTIONS

Always observe the following safety precautions to prevent electric shock, fire, and serious injury.

- **Work Area Safety:** Keep your work area clean and well-lit. Cluttered or dark areas invite accidents. Do not operate power tools in explosive atmospheres, such as in the presence of flammable liquids, gases, or dust.
- **Electrical Safety:** Power tool plugs must match the outlet. Never modify the plug in any way. Avoid body

contact with earthed or grounded surfaces. Do not expose power tools to rain or wet conditions.

- **Personal Safety:** Always wear eye protection, hearing protection, and a dust mask when operating the demolition hammer. Use appropriate personal protective equipment (PPE) such as gloves and safety footwear. Stay alert, watch what you are doing, and use common sense.
- **Tool Use and Care:** Do not force the power tool. Use the correct power tool for your application. Disconnect the plug from the power source before making any adjustments, changing accessories, or storing power tools.
- **Service:** Have your power tool serviced by a qualified repair person using only identical replacement parts. This will ensure that the safety of the power tool is maintained.

3. INCLUDED COMPONENTS

Your Bosch GSH 11 E Demolition Hammer package includes the following items:

- Bosch GSH 11 E Demolition Hammer Unit
- 1-Piece Auxiliary Handle
- 1-Piece Carrying Case
- 1-Piece Grease Tube



Image: The durable blue carrying case provided with the Bosch GSH 11 E Demolition Hammer, designed for secure transport and storage of the tool and its accessories.

4. SETUP AND ASSEMBLY

4.1 Attaching the Auxiliary Handle

The auxiliary handle can be adjusted and rotated 360° for optimal working posture and control. Loosen the clamping screw on the handle, position it as desired, and then tighten the screw firmly.

4.2 Inserting the Chisel (SDS-max)

1. Clean the shank of the chisel and apply a thin layer of grease from the provided grease tube.
2. Insert the chisel into the SDS-max tool holder by rotating it slightly until it locks into place. Pull on the chisel to ensure it is securely fastened.
3. The tool features variable chisel fitting in 12 angle positions. To adjust the chisel angle, rotate the chisel to the desired position.

4.3 Power Connection

Ensure the power switch is in the 'Off' position before connecting the tool to a 230 Volt power supply. Use an appropriate extension cord if necessary, ensuring it is rated for the tool's 1500W power input.

5. OPERATING INSTRUCTIONS

5.1 Switching On and Off

To switch on the demolition hammer, slide the wide switch to the 'On' position. To switch off, slide the switch back to the 'Off' position. Always maintain a firm grip on the tool with both hands during operation.

5.2 Demolition Technique

Apply low feed pressure for fatigue-free working. The tool's extreme impact force of 25 J is designed to perform breakthroughs and demolition work efficiently. Allow the tool to do the work; excessive pressure can reduce efficiency and increase user fatigue.



Image: The Bosch GSH 11 E Demolition Hammer in action, effectively breaking through a concrete surface, demonstrating its powerful impact.



Image: A worker wearing safety gear operates the Bosch GSH 11 E Demolition Hammer to break up rubble on a construction site, highlighting its heavy-duty application.

6. MAINTENANCE AND CARE

Regular maintenance ensures the longevity and optimal performance of your demolition hammer.

- **Cleaning:** After each use, clean the tool, especially the SDS-max tool holder, to remove dust and debris. Use a dry cloth.
- **Lubrication:** Periodically apply grease to the SDS-max tool holder shank to ensure smooth operation and prevent wear. Refer to the grease tube instructions for frequency.
- **Carbon Brushes:** The tool is equipped with cut-off carbon brushes. When the carbon brushes are worn, the tool will automatically switch off. Have them replaced by an authorized Bosch service center.
- **Inspection:** Regularly inspect the power cord for damage. If damaged, have it replaced by a qualified technician.

7. TROUBLESHOOTING

Refer to the following table for common issues and their solutions:

Problem	Possible Cause	Solution
Tool does not start	No power supply; Worn carbon brushes	Check power connection; Replace carbon brushes at service center
Reduced impact force	Insufficient lubrication; Worn chisel; Internal fault	Apply grease to chisel shank; Replace chisel; Contact service center
Excessive vibration	Loose chisel; Internal component wear	Ensure chisel is securely locked; Contact service center

8. TECHNICAL SPECIFICATIONS

Feature	Specification
Brand	Bosch
Model Number	06113168F0
Power Source	Corded Electric
Voltage	230 Volts
Amperage	13 Amps
Maximum Power Input	1500 Watts
Impact Energy	16.8 J (Rated), 25 J (Extreme)
Impact Rate at Rated Speed	900 - 1890 bpm
Tool Holder	SDS-max
Weight (without cable)	10.1 kg
Product Dimensions	24.4L x 16.2W x 5.7H Centimeters
Material	Metal
Country of Origin	China

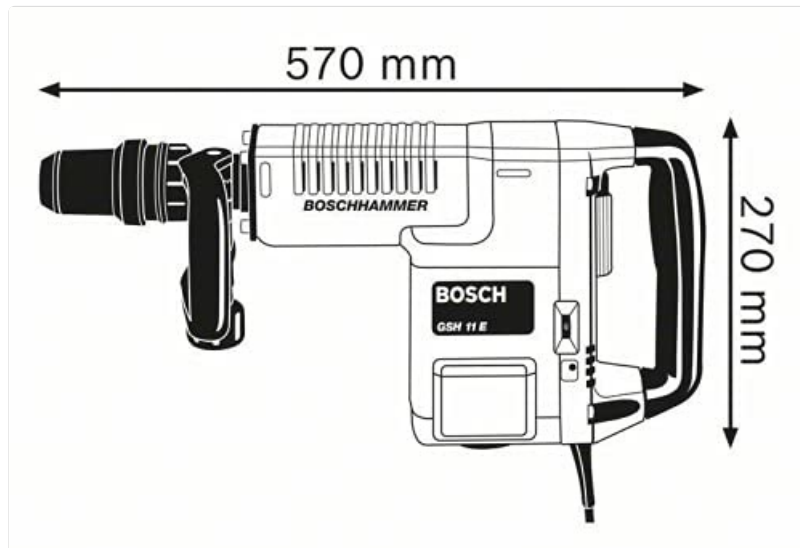


Image: Technical diagram illustrating the dimensions of the Bosch GSH 11 E Demolition Hammer, with a length of 570 mm and a height of 270 mm.

9. WARRANTY AND SUPPORT

For warranty information, service, or technical support, please contact Bosch customer care. Ensure you have your product model number (GSH 11 E) and purchase details available when contacting support.

Bosch Customer Care: 18004258665

Manufacturer: Bosch Ltd., Post Box No: 3000, Hosur Road, Adugodi, Bangalore - 560030, India.