

Kason 930A-01

Kason 930 Series Trigger Action Latch and Strike A User Manual

Model: 930A-01 | Part Number: 10930A00004

1. INTRODUCTION AND OVERVIEW

This manual provides essential information for the installation, operation, and maintenance of your Kason 930 Series Trigger Action Latch and Strike A. This dependable and time-tested hardware component is designed for secure closure in various applications.

Key features of the Kason 930 Series Trigger Action Latch and Strike A (Model 10930A00004) include:

- Dependable, time-tested trigger action latch mechanism.
- Adjustable strike featuring Kason's micrometer for hairline-fine adjustments.
- Interchangeable design for compatibility with both right and left-opening doors.
- Standard padlocking feature for enhanced security.

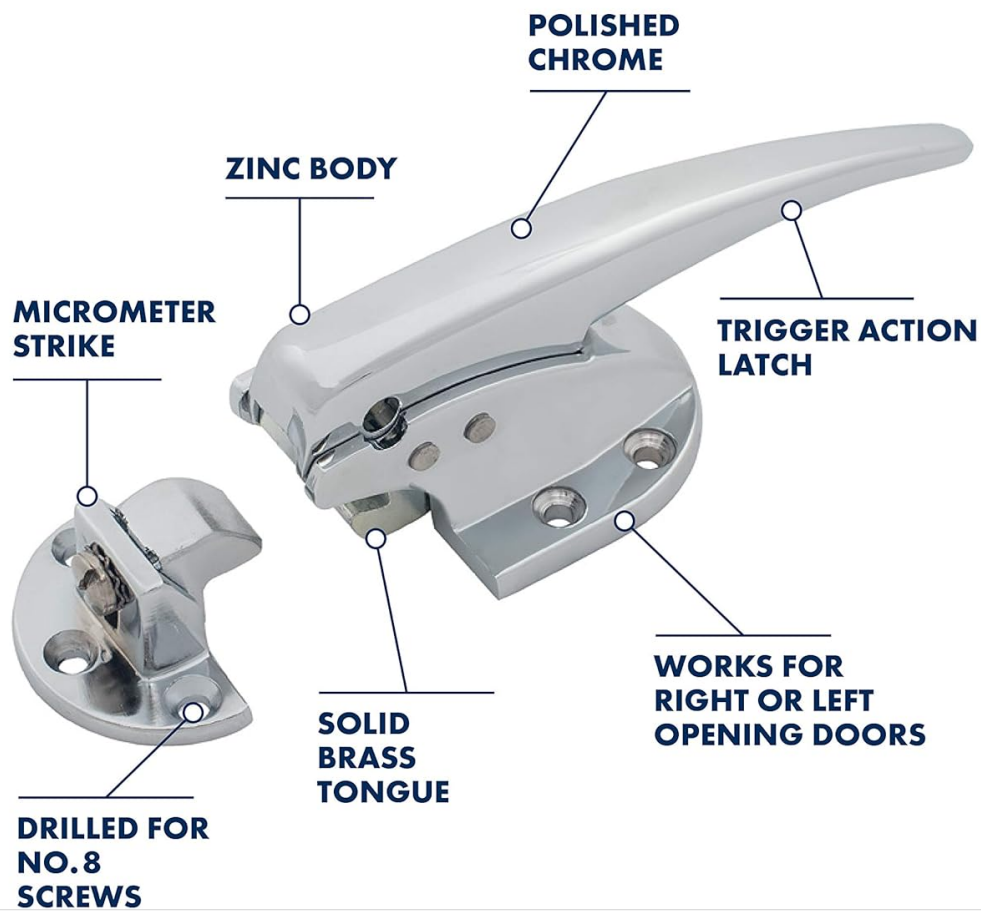


Figure 1: Detailed view of the Kason 930 Series Trigger Action Latch and Strike A, highlighting components like polished chrome finish, zinc body, solid brass tongue, micrometer strike, and pre-drilled holes for #8 screws. It also indicates compatibility for right or left-opening doors.

2. SETUP AND INSTALLATION

Proper installation is crucial for the optimal performance and longevity of your Kason latch. Ensure all mounting surfaces are clean, flat, and structurally sound before proceeding.

2.1 Measuring Offset

Accurate measurement of the door offset is essential for correct strike placement. Refer to the diagram below for guidance on measuring the distance between the door jamb and the door's height.

HOW TO

Measure Offset



OPT 1: Measure distance between jamb surface and door's height



OPT 2: Use paper to mark the offset height then measure that distance



Figure 2: This image illustrates two methods for accurately measuring the offset required for latch installation: measuring the direct distance between the jamb surface and the door's height, and using a piece of paper to mark and then measure the offset height.

2.2 Mounting the Latch and Strike

1. Position the latch body on the door and the strike plate on the frame according to your measured offset.
2. Mark the drilling locations for the mounting screws. The latch and strike are pre-drilled for #8 screws.
3. Drill pilot holes as necessary.
4. Securely fasten the latch and strike using appropriate hardware.
5. Adjust the micrometer strike for hairline-fine adjustments to ensure smooth and secure latching.



Figure 3: Top-down view of the Kason 930 Series Trigger Action Latch and Strike A, showing the internal mechanism and the separate strike plate, useful for understanding alignment during installation.

3. OPERATING INSTRUCTIONS

The Kason 930 Series Trigger Action Latch is designed for straightforward operation.

- To open the door, depress the trigger handle and pull the door open.
- To close the door, simply push the door shut. The trigger action mechanism will automatically engage the latch with the strike, securing the door.
- For added security, utilize the standard padlocking feature by inserting a padlock (not included) through the designated hole on the latch.

4. MAINTENANCE

Regular maintenance helps ensure the continued smooth operation and extends the lifespan of your Kason latch.

- **Cleaning:** Periodically clean the exterior surfaces of the latch and strike with a soft, damp cloth. Avoid abrasive cleaners or solvents that could damage the finish.
- **Lubrication:** Apply a small amount of silicone-based lubricant to the moving parts of the trigger mechanism and the brass tongue annually, or as needed, to maintain smooth action.
- **Inspection:** Regularly check all mounting screws for tightness. Inspect the latch and strike for any signs of wear, damage, or corrosion. Replace worn or damaged components promptly.

5. TROUBLESHOOTING

If you encounter issues with your Kason 930 Series Latch, consider the following troubleshooting steps:

- **Difficulty Latching/Unlatching:** Check for proper alignment between the latch and the strike. The adjustable strike allows for hairline-fine adjustments to correct any misalignment. Ensure no obstructions are preventing the latch from fully engaging.
- **Loose Components:** Verify that all mounting screws are securely tightened. Over time, vibrations or repeated use can cause screws to loosen.
- **Stiff Operation:** Apply lubricant to the moving parts as described in the Maintenance section. Ensure the latch mechanism is free from dirt or debris.
- **Padlock Feature Not Working:** Ensure the padlock is correctly inserted and that the latch mechanism is fully engaged before attempting to lock.

If the issue persists after attempting these steps, it is recommended to consult a qualified technician or Kason customer support.

6. SPECIFICATIONS

Detailed specifications for the Kason 930 Series Trigger Action Latch and Strike A (Model 930A-01, Part Number 10930A00004):

- **Manufacturer:** Kason
- **Part Number:** 10930A00004
- **Item Weight:** 13.6 ounces
- **Product Dimensions:** 2 x 2 x 6 inches
- **Item Model Number:** 930A-01
- **Size:** Latch & Strike A with Flush to 3/8 Inch Offset
- **Color:** Silver
- **Material:** Brass

- Item Package Quantity: 1

DIMENSIONS

Kason® 0930 Series Trigger Action Latches

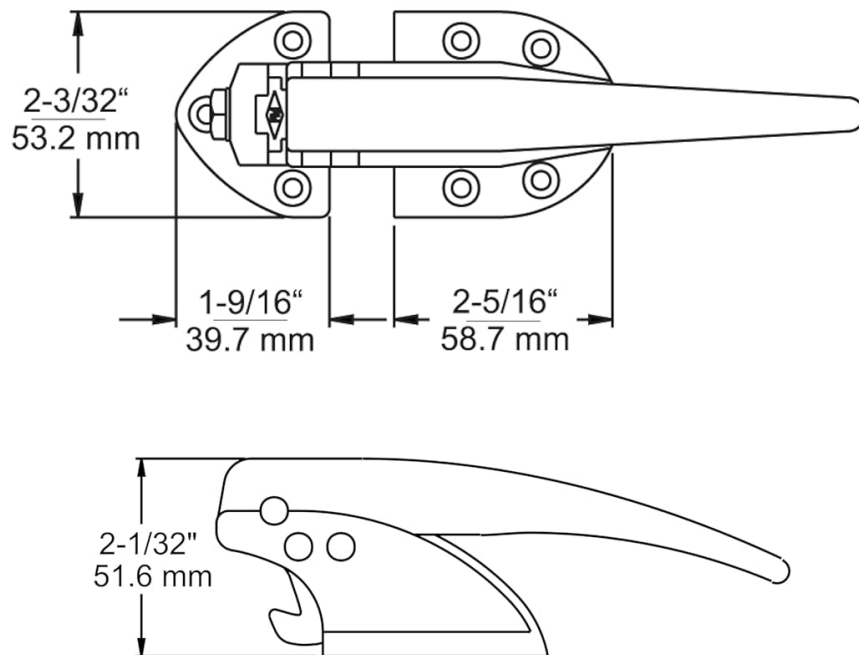


Figure 4: A technical diagram providing precise dimensions of the Kason 930 Series Trigger Action Latches, including measurements in both inches and millimeters for various components of the latch and strike.

7. WARRANTY INFORMATION

Kason products are manufactured to high-quality standards. For specific warranty details pertaining to your Kason 930 Series Trigger Action Latch and Strike A, please refer to the warranty documentation included with your original purchase. You may also visit the official Kason website or contact their customer support for further information regarding warranty coverage and claims.

8. SUPPORT

For further assistance, technical support, or inquiries regarding replacement parts for your Kason 930 Series Trigger Action Latch and Strike A, please utilize the following resources:

- **Official Kason Website:** Visit the Kason website for product information, FAQs, and contact options.
- **Customer Service:** Contact Kason customer service directly for personalized support. Please have your product model number (930A-01) and part number (10930A00004) available when seeking assistance.

9. ADDITIONAL RESOURCES

The following video provides an overview of Kason Industries. While not a direct installation guide, it offers insight into the brand's commitment to quality and manufacturing processes.

Your browser does not support the video tag.

Video: Kason Brand Story. This video provides a general overview of Kason Industries, highlighting their manufacturing processes and commitment to quality. It is not a specific product instruction video but offers context about the brand.

© 2026 Kason Industries. All rights reserved.