



[Manuals.plus](#) /

> [Sparmax](#) /

> Sparmax Achieve TC501N Compressor Instruction Manual

## Sparmax TC501N

# Sparmax Achieve TC501N Compressor Instruction Manual

MODEL: TC501N

## Introduction

---

This manual provides essential information for the safe and efficient operation, setup, and maintenance of your Sparmax Achieve TC501N oil-less piston airbrush compressor. Please read this manual thoroughly before using the compressor and retain it for future reference.

The Sparmax Achieve TC-501N is designed for airbrushing applications, offering a zero-maintenance, oil-less piston design. It features advanced filtering for clean air with reduced moisture, making it suitable for high humidity environments. The compressor is equipped with a 1/8 HP motor, delivering 12-16 LPM, and includes a pressure regulator, moisture trap, gauge set, and various adapters.

---

## Important Safety Information

---

- Always operate the compressor in a well-ventilated area.
- Ensure the power supply matches the voltage specified on the compressor (120 Volts).
- Do not operate the compressor near flammable liquids or gases.
- Keep children and pets away from the compressor during operation.
- Disconnect the power cord before performing any maintenance or when the compressor is not in use.
- Avoid touching hot surfaces during or immediately after operation.
- Do not modify the compressor or its components. Use only genuine Sparmax replacement parts.
- Wear appropriate personal protective equipment (PPE), such as eye protection, when airbrushing.

---

## Package Contents

---

Verify that all items listed below are present in your package:

- Sparmax Achieve TC501N Compressor Unit
- Detachable Pressure Regulator/Filter Set with Gauge
- Braided Airline (2 meters)
- Cobra-coil PU Condensation Airline
- Adapter(s) for various airbrush brands



Image: The Sparmax TC501N compressor shown with its included accessories: a detachable pressure regulator and moisture filter unit, a braided air hose, and various adapters.

---

## Setup Instructions

---

1. **Unpack the Compressor:** Carefully remove all components from the packaging.
2. **Position the Compressor:** Place the compressor on a stable, level surface in a well-ventilated area. Ensure there is adequate space around the unit for airflow.
3. **Attach the Regulator/Filter:** Screw the detachable pressure regulator and moisture filter unit onto the air outlet port of the compressor. Ensure it is hand-tightened securely to prevent air leaks.

4. **Connect the Air Hose:** Attach one end of the braided airline to the outlet of the moisture filter. Connect the other end of the braided airline to your airbrush. Use the appropriate adapter if necessary.
5. **Power Connection:** Plug the power cord into a grounded 120V electrical outlet.



Image: Detailed view of the compressor's control panel, highlighting the pressure regulator with gauge, the automatic pressure switch, and the moisture filter for clean air delivery.

## Operating Instructions

1. **Power On:** Flip the power switch to the "ON" position. The compressor will start to build pressure.
2. **Adjust Pressure:** Use the knob on the pressure regulator to set the desired air pressure for your airbrushing task. The gauge will display the current output pressure.
3. **Automatic Shut-Off:** The TC501N features an automatic shut-off function. The compressor will stop running once the set pressure is reached and will restart automatically when the pressure drops as you use your airbrush. This feature helps reduce motor wear and noise.
4. **Begin Airbrushing:** Once the desired pressure is set, you can begin your airbrushing work.

5. **Power Off:** When finished, turn off the compressor by flipping the power switch to the "OFF" position. Disconnect the airbrush and release any remaining pressure.

---

## Maintenance

The Sparmax Achieve TC501N is an oil-less compressor, requiring minimal maintenance. Follow these guidelines to ensure longevity and optimal performance:

- **Drain Moisture Trap:** Regularly check and drain the moisture trap located at the bottom of the filter unit. Accumulated moisture can affect air quality and compressor performance.
- **Clean Exterior:** Wipe down the exterior of the compressor with a damp cloth to remove dust and debris. Do not use harsh chemicals or abrasive cleaners.
- **Air Filter:** The compressor has an internal air filter. While generally maintenance-free, if you notice a significant drop in performance or unusual noise, consult the manufacturer's support.
- **Storage:** Store the compressor in a clean, dry environment when not in use.

---

## Troubleshooting

| Problem                           | Possible Cause   | Solution  |
|-----------------------------------|--|---|
| Compressor does not turn on.      | No power supply; Power switch off; Faulty power cord.                                  | Check power outlet and connections; Ensure power switch is ON; Inspect power cord for damage. |
| Low or inconsistent air pressure. | Air leaks in connections; Regulator set too low; Clogged airbrush; Moisture trap full. | Tighten all connections; Adjust pressure regulator; Clean airbrush; Drain moisture trap.      |
| Compressor runs continuously.     | Significant air leak; Pressure switch malfunction.                                     | Check all connections for leaks; If problem persists, contact support.                        |
| Excessive moisture in air.        | Moisture trap full or not draining properly.   | Drain the moisture trap. Ensure it is functioning correctly.                                  |

---

## Specifications

|                      |          |
|----------------------|----------|
| <b>Brand:</b>        | Sparmax  |
| <b>Model Name:</b>   | TC501N   |
| <b>Model Number:</b> | AIRCOMP2 |

|                             |  |
|-----------------------------|--|
| <b>Voltage:</b>             | 120 Volts  |
| <b>Power Source:</b>        | Corded Electric  |
| <b>Motor Horsepower:</b>    | 0.13 HP  |
| <b>Air Flow Capacity:</b>   | 12-16 Liters Per Minute (LPM)                                    |
| <b>Noise Level:</b>         | 1 Decibel (dB)   |
| <b>Additional Features:</b> | Automatic Shut-Off, Moisture Trap, Pressure Regulator with Gauge |
| <b>Item Weight:</b>         | 8.7 Pounds   |
| <b>Color:</b>               | Black  |
| <b>Style:</b>               | Portable   |
| <b>UPC:</b>                 | 499993793158   |

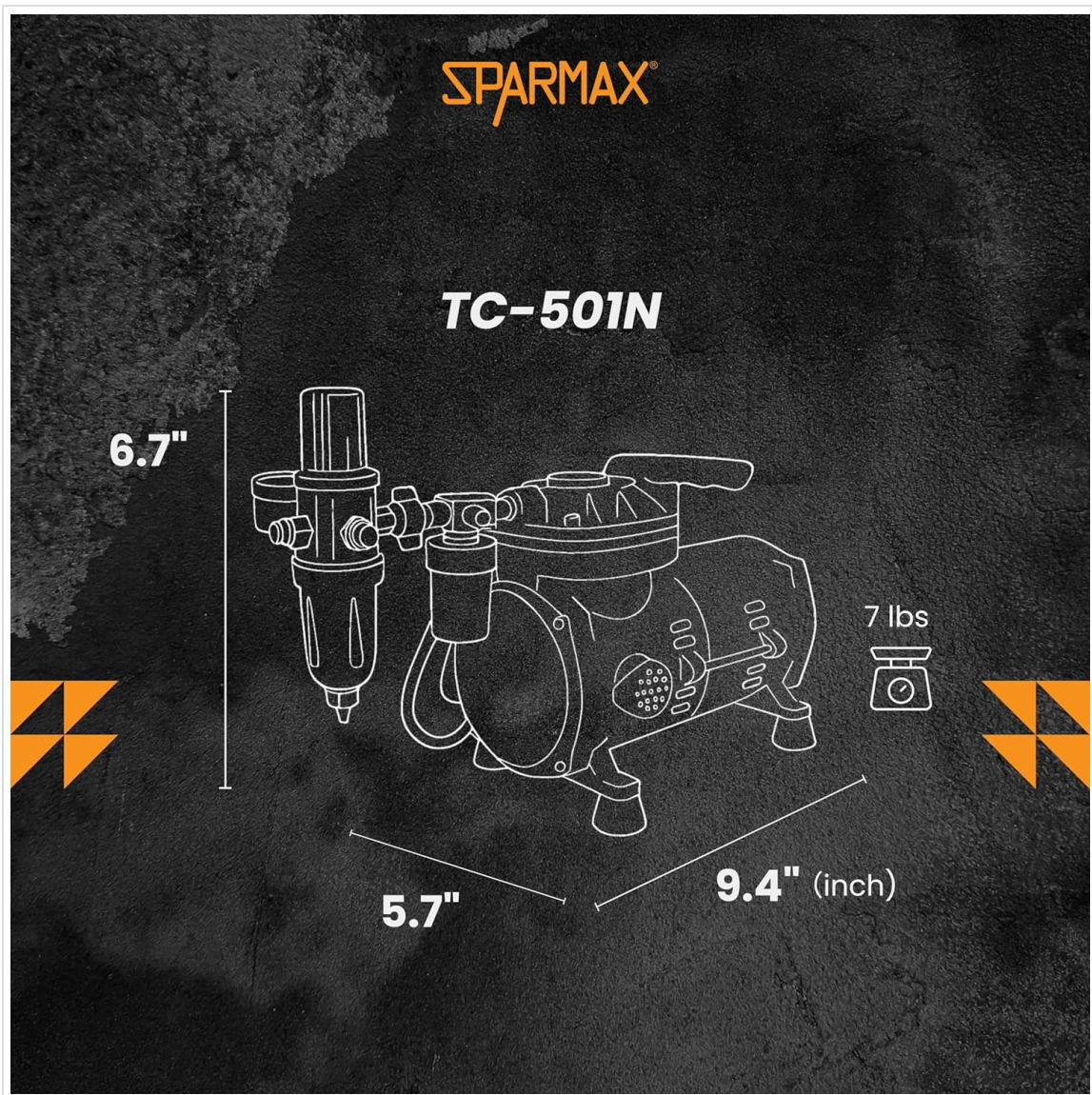


Image: Dimensional drawing of the Sparmax TC501N compressor, indicating its height, depth, width, and weight.

## Warranty and Support

For warranty information, technical support, or service inquiries, please refer to the official Sparmax website or contact your authorized dealer. Keep your purchase receipt as proof of purchase for warranty claims.

**Online Resources:** Visit the official Sparmax website for FAQs, additional product information, and contact details.

---