

[Manuals.plus](#) /

> [Amerimax](#) /

> Amerimax Home Products M0506 Drop Outlet User Manual

Amerimax M0506-6

Amerimax Home Products M0506 Drop Outlet User Manual

MODEL: M0506-6

Introduction

This manual provides comprehensive instructions for the installation, operation, and maintenance of your Amerimax Home Products M0506 Drop Outlet. Designed for efficient water diversion from gutters to downspouts, this component is crucial for effective rainwater management around your home. Please read these instructions carefully before beginning installation to ensure proper function and longevity of the product.

Product Overview

The Amerimax M0506 Drop Outlet is a vital component in your gutter system, designed to connect the gutter trough to the downspout. Its robust vinyl construction ensures durability and resistance to weather elements.



Figure 1: Front view of the Amerimax M0506 Drop Outlet, showing its white vinyl construction and connection points.

Key Features:

- **Color:** White
- **Material:** Durable Vinyl/Plastic
- **Size:** Designed to connect to 2 inch x 3 inch downspouts, with a versatile 2 inch x 2 inch outlet opening.
- **Style:** Traditional design for seamless integration with most gutter systems.

Setup and Installation

Proper installation of the Amerimax M0506 Drop Outlet is essential for effective water drainage. Follow these steps for a secure and leak-free connection.

Tools and Materials Required:

- Tape Measure
- Pencil or Marker
- Tin Snips or Hacksaw
- Drill (if pre-drilling is necessary)
- Gutter Sealant (optional, for extra sealing)
- Pop Rivet Tool or Screws (for securing downspout)

Installation Steps:

1. **Determine Placement:** Identify the desired location for the downspout along the gutter. Mark the center of where the drop outlet will be positioned.
2. **Cut Gutter Opening:** Using tin snips, carefully cut an opening in the bottom of the gutter that matches the dimensions of the drop outlet's top opening. Ensure the cut is clean and free of burrs.
3. **Attach Drop Outlet:** Insert the top flange of the drop outlet into the cut opening from below the gutter. The clips on the drop outlet should hook over the front and back edges of the gutter.
4. **Secure Connection:** Press firmly to snap the drop outlet into place. For added security and to prevent leaks, apply a bead of gutter sealant around the perimeter of the opening where the drop outlet meets the gutter.
5. **Connect Downspout:** Slide the top end of the downspout into the bottom opening of the drop outlet. Secure the downspout to the drop outlet using pop rivets or appropriate screws.



Figure 2: Side view of the drop outlet, illustrating the clips designed for secure attachment to the gutter.

Operating Principles

The Amerimax M0506 Drop Outlet functions as a critical transition point in your home's rainwater management system. Rainwater collected by the gutter flows along its length until it reaches the opening created for the drop outlet. The drop outlet then funnels this water efficiently into the attached downspout, directing it away from the foundation of your home.

Its design ensures a smooth flow, minimizing the risk of water pooling or overflowing at the connection point, provided the gutter and downspout are clear of debris and properly sloped.

Maintenance

Regular maintenance of your gutter system, including the drop outlet, is crucial to prevent clogs and ensure optimal performance. Perform these checks periodically, especially before and after seasons with heavy rainfall or leaf fall.

Maintenance Schedule:

- **Quarterly Inspection:** Inspect the drop outlet and surrounding gutter area at least four times a year.
- **Post-Storm Check:** After heavy storms, check for any dislodged debris or damage.

Cleaning and Inspection:

1. **Clear Debris:** Remove leaves, twigs, and other debris from the gutter, paying special attention to the area around the drop outlet. Clogs at this point are common.

2. **Flush with Water:** Use a garden hose to flush water through the gutter and downspout. Observe if water flows freely through the drop outlet and down the downspout.
3. **Check for Leaks:** While flushing, inspect the connection between the drop outlet and the gutter for any signs of leaks. If leaks are present, reapply gutter sealant as needed.
4. **Inspect for Damage:** Look for cracks, warping, or other damage to the vinyl material. While durable, extreme weather can cause wear.

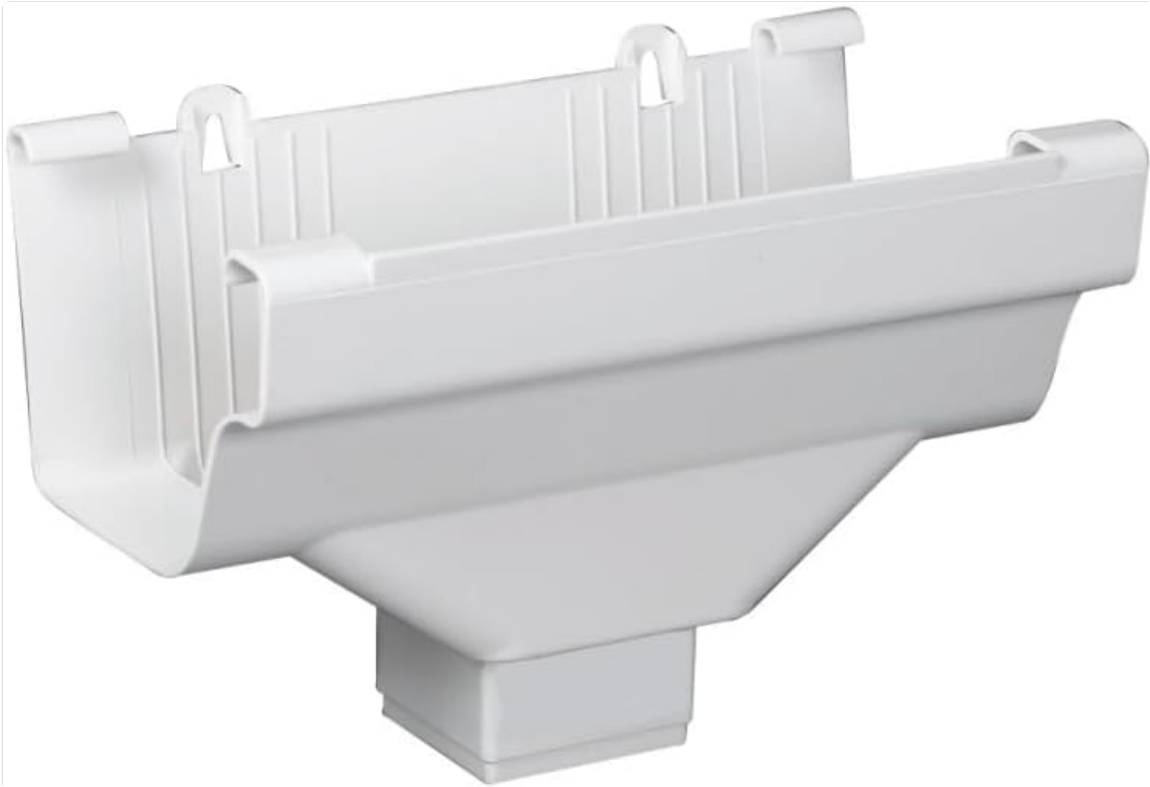


Figure 3: Top view of the drop outlet, illustrating the opening where water enters from the gutter. Keeping this area clear is vital for proper function.

Troubleshooting

If you encounter issues with your Amerimax M0506 Drop Outlet, consult the following common problems and solutions:

Problem	Possible Cause	Solution
Water Overflowing from Gutter at Drop Outlet	Clogged drop outlet or downspout.	Clear all debris from the gutter and downspout. Flush with water to ensure free flow.
Leaks at Gutter-Drop Outlet Connection	Improper seal or damaged connection.	Ensure the drop outlet is securely snapped into place. Apply or reapply gutter sealant around the connection. Inspect for cracks in the vinyl.
Downspout Does Not Fit Securely	Incorrect downspout size or improper alignment.	Verify downspout dimensions (2x3 inches). Ensure the downspout is properly aligned and secured with rivets or screws.

Problem	Possible Cause	Solution
Drop Outlet Appears Warped or Damaged	Exposure to extreme temperatures or physical impact.	If damage affects functionality, the drop outlet may need to be replaced.

Specifications

Detailed specifications for the Amerimax Home Products M0506 Drop Outlet:

- **Model Name:** Amerimax Home Products M0506 Drop Outlet
- **Part Number:** M0506-6
- **Brand:** Amerimax
- **Color:** White
- **Material:** Plastic (Vinyl)
- **Product Dimensions (L x W):** Approximately 2 inches x 2 inches (outlet opening)
- **Compatible Downspout Size:** 2 inches x 3 inches
- **Item Weight:** 231 Grams (approx. 0.51 lbs)
- **Manufacturer:** Amerimax Home Products Inc
- **Included Components:** 1 x Amerimax Home Products M0506 Drop Outlet
- **Date First Available:** February 6, 2014



Figure 4: Angled view of the Amerimax M0506 Drop Outlet, highlighting its overall form and dimensions.

Warranty Information

Amerimax Home Products provides a standard warranty for the M0506 Drop Outlet. For specific details regarding warranty coverage, terms, and conditions, please refer to the documentation included with your purchase or visit the official Amerimax Home Products website. Keep your proof of purchase for warranty claims.

Customer Support

If you require further assistance, have questions not covered in this manual, or need to report a product issue, please contact Amerimax Home Products customer support. Contact information can typically be found on the product packaging or on the official Amerimax Home Products website.

Note: Always ensure you are using the correct model number (M0506-6) when contacting support for accurate assistance.