

Hansa 55231103

Hansa Ronda 55231103 Tap User Manual

Model: 55231103

1. INTRODUCTION

Thank you for choosing the Hansa Ronda 55231103 Tap. This single-lever sink mixer is designed for modern kitchens, featuring a chrome-plated surface, a spout that pivots 150 degrees, and a retractable spray for enhanced functionality. This manual provides essential information for the safe and efficient installation, operation, and maintenance of your new faucet.

Please read all instructions carefully before installation and use. Keep this manual for future reference.

2. SAFETY INFORMATION

- Always turn off the main water supply before beginning any installation or maintenance work.
- Ensure all connections are secure to prevent leaks.
- Do not use abrasive cleaners or harsh chemicals on the chrome surface, as this can damage the finish.
- If you are unsure about any part of the installation process, consult a qualified plumber.
- Protect against backflow in household use as per DIN EN 1717.

3. PRODUCT COMPONENTS

The Hansa Ronda 55231103 Tap includes the following main components:

- Single-lever mixer body (chrome-plated brass)
- Retractable spray head with jet/shower button
- Pull-out hose (1400 mm)
- Mounting hardware for countertop installation (up to 45 mm thickness)
- Connection pipes (copper)



Figure 3.1: Front view of the Hansa Ronda 55231103 Tap. This image displays the polished chrome finish, the single lever handle on the side, and the pull-out spray head at the end of the spout.

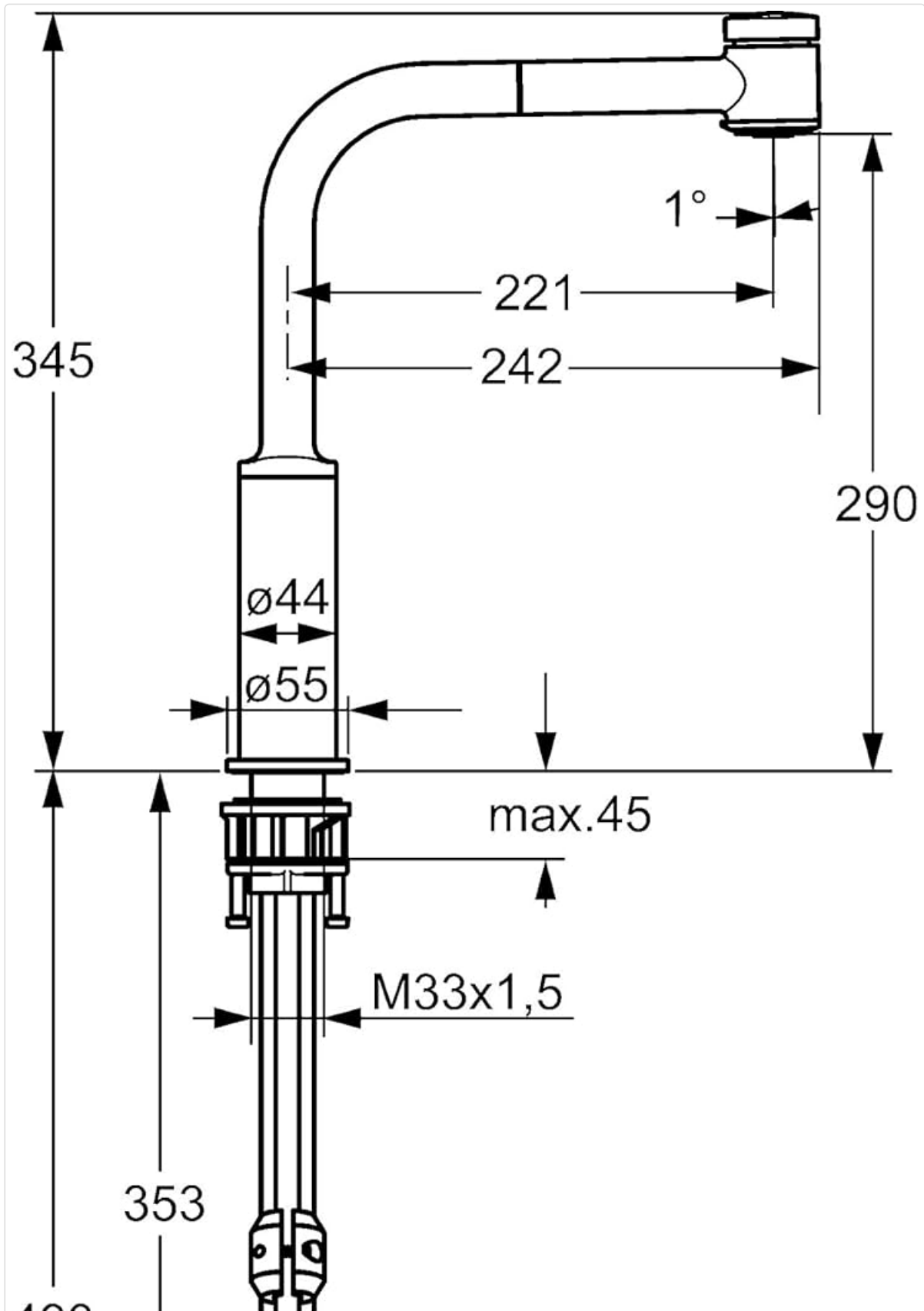
4. INSTALLATION INSTRUCTIONS

This faucet is designed for single-hole installation on countertops up to 45 mm thick. Professional installation is recommended.

1. **Prepare the Installation Area:** Ensure the water supply is turned off. Clear the area around the sink hole.
2. **Mount the Faucet:** Insert the faucet body into the sink hole. From underneath the countertop, secure the faucet

using the provided mounting hardware. Ensure the faucet is oriented correctly.

3. **Connect Water Lines:** Connect the hot and cold water supply lines to the corresponding inlets on the faucet body. Use appropriate wrenches to tighten connections, but do not overtighten.
4. **Install Pull-Out Hose:** Connect the retractable spray hose to the designated connection point on the faucet. Ensure the hose moves freely and does not kink.
5. **Check for Leaks:** Slowly turn on the main water supply. Check all connections for any signs of leaks. Tighten if necessary.
6. **Test Operation:** Test the hot and cold water flow, and the functionality of the pull-out spray head.



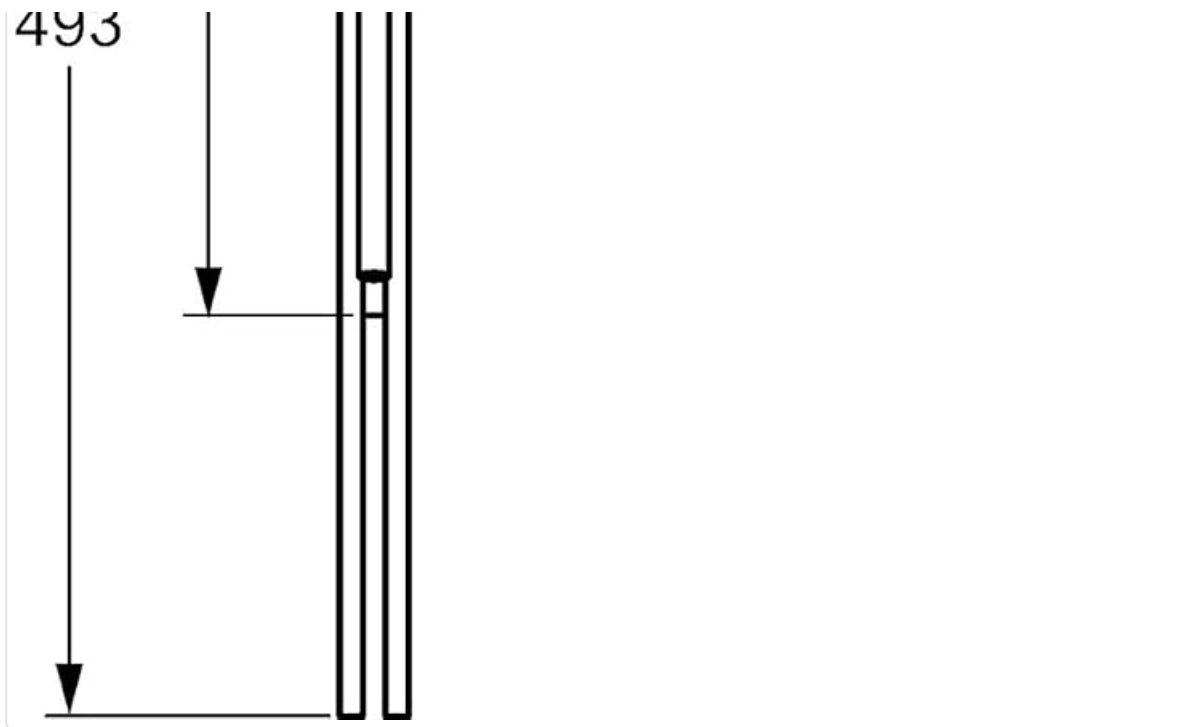


Figure 4.1: Technical diagram of the Hansa Ronda 55231103 Tap. This diagram illustrates the dimensions of the faucet, including the spout reach (221 mm), overall height (290 mm), and the maximum countertop thickness (45 mm) for installation. It also shows the M33x1.5 thread for mounting.

5. OPERATING INSTRUCTIONS

The Hansa Ronda 55231103 Tap features a single lever for controlling water flow and temperature, and a retractable spray head for versatile use.

- **Water Flow and Temperature:** Move the single lever handle up to increase water flow and down to decrease it. Move the lever to the left for hot water and to the right for cold water.
- **Retractable Spray Head:** Pull the spray head out from the spout to extend the reach.
- **Spray Pattern Selection:** The spray head features a button to switch between a steady stream (jet) and a wider spray pattern (shower). Press the button to toggle between these modes. The spray head automatically resets to the jet pattern when the water is turned off.
- **Spout Swivel:** The spout can pivot 150 degrees, allowing you to direct water flow as needed within your sink area.

6. CARE AND MAINTENANCE

Proper care will ensure the longevity and appearance of your Hansa Ronda 55231103 Tap.

- **Cleaning the Surface:** Clean the chrome surface regularly with a soft cloth and mild soap and water. Rinse thoroughly and dry immediately to prevent water spots.
- **Avoid Harsh Cleaners:** Do not use abrasive cleaners, scouring pads, ammonia-based cleaners, or any products containing bleach, acids, or alcohol, as these can damage the chrome finish.
- **Aerator Maintenance:** If water flow becomes restricted, the aerator at the tip of the spray head may be clogged. Unscrew the aerator, clean any debris, and rinse it before reattaching.
- **Hose Maintenance:** Ensure the pull-out hose is free of kinks and obstructions under the sink.

7. TROUBLESHOOTING

Refer to the following table for common issues and their solutions:

Problem	Possible Cause	Solution
Low water flow	Clogged aerator; partially closed shut-off valve; kinked hose.	Clean aerator; fully open shut-off valves; straighten hose.
Leaks at connections	Loose connections; damaged O-rings/washers.	Tighten connections; replace O-rings/washers if damaged.
Water temperature inconsistent	Issues with water heater; cartridge malfunction.	Check water heater settings; contact a plumber for cartridge inspection.
Spray head not retracting fully	Obstruction under sink; insufficient weight on hose.	Clear obstructions; ensure counterweight is properly positioned on the hose.

If the problem persists after attempting these solutions, please contact customer support.

8. SPECIFICATIONS

Feature	Detail
Brand	Hansa
Model Number	55231103
Mounting Type	Single Hole, Surface Mount
Finish Type	Chrome
Material	Brass (Entzinkungsarmesmessing MS 63)
Number of Handles	1 (Lever)
Spout Reach	221 mm
Spout Swivel Range	150 degrees
Product Dimensions	29.92 x 29.92 x 3.46 inches (approximate packaging)
Item Weight	6.57 pounds
Hose Length (Pull-out)	1400 mm
Backflow Protection	Eigensicher (as per DIN EN 1717)

9. WARRANTY INFORMATION

Specific warranty details for the Hansa Ronda 55231103 Tap are provided by the manufacturer. Please refer to the warranty card included with your product or visit the official Hansa website for the most current and detailed warranty policy.



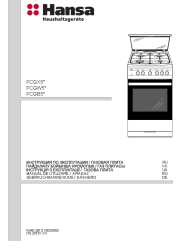

10. CUSTOMER SUPPORT

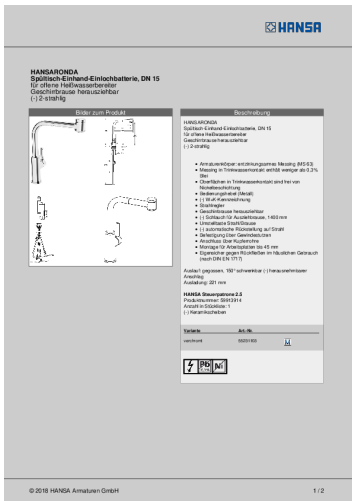
For technical assistance, spare parts, or any questions not covered in this manual, please contact Hansa customer support. You can find contact information on the official Hansa website or through your local distributor.

Visit the [Hansa Store on Amazon](#) for more product information.

© 2023 Hansa. All rights reserved. Information subject to change without notice.

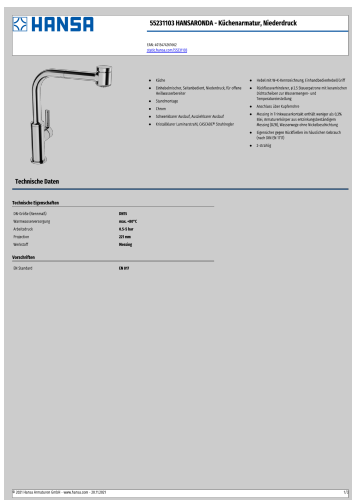
Related Documents

	<p>HANSAMURANO Faucet Installation and Operating Instructions</p> <p>Detailed installation, mounting, and care instructions for the HANSA MURANO faucet series, including technical specifications and dimensions.</p>
	<p>HANSA Shower Systems Installation and Maintenance Guide</p> <p>Comprehensive installation and maintenance guide for HANSA shower systems, detailing technical specifications, parts diagrams, operational modes, and cleaning instructions for models including HANSAMICRA ECO and HANSABASICJET Style.</p>
	<p>Hansa FCGX5*, FCGW5*, FCGB5* Gas Stove User Manual</p> <p>Comprehensive user manual for Hansa FCGX5*, FCGW5*, and FCGB5* gas stoves, covering installation, operation, safety, cleaning, and troubleshooting. Features detailed instructions for gas burners, oven functions, and grill usage.</p>
	<p>Hansa OMC6551BH Kitchen Extractor Hood: Operating Instructions</p> <p>Comprehensive operating instructions and user manual for the Hansa OMC6551BH kitchen extractor hood, covering safety, installation, operation, maintenance, and warranty information.</p>



[pdf]

Datenblatt Produktinformationsblatt Hansa Ronda SpÃ¼ltischarmatur Niederdruck Chrom GlÃ¤nzend
 Geschirrbrause herausziehbar BAUHAUS 1 media bahag cloud m 53626 |||
 HANSARONDA Splittisch-Einhand-Einlochbatterie, DN 15 fr offene Heiwwasserbereiter
 Geschirrbrause heraus ... 5 Produktnummer: 59913914 Anzahl in Stckliste: 1 -
 Keramikscheiben Variante verchromt Art.-Nr. **55231103** 2018 HANSA Armaturen
 GmbH 1 / 2 Produktbild Produktzeichnung Produktzeichnung Produ...
 lang:de score:23 filesize: 86.96 K page_count: 2 document date: 2018-08-10

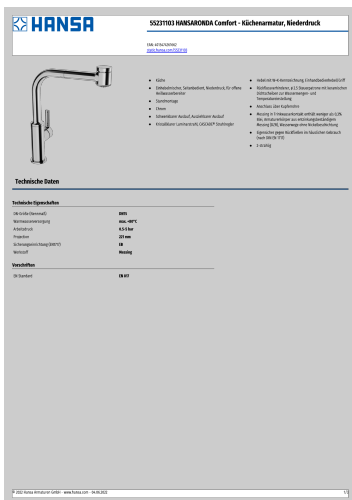


[pdf] Datasheet

55231103 hansa datasheet de |||

...

lang:de score:17 filesize: 1.01 M page_count: 3 document date: 2021-12-18



[pdf] Catalog


hansa 55231103 produktdatenblatt Hansa Hansaronda cuisine chromé basse pression bec 221mm
 douche à vaisselle obadis fr catalog id
 44218a7cb26d847e9377a89f28b7a407f55f39cced3a3506a366eea371cd3c931 |||

...

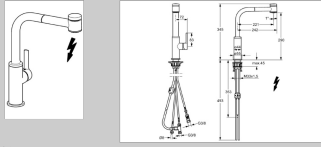
lang:de score:13 filesize: 1.02 M page_count: 3 document date: 2022-06-09

HANSA 55231103 HANSARONDA Comfort - Küchenarmatur, Niederdruck

55231103



- Silber
- Kapselarmatur, Kapselventil, Bedienung: L, R, 3-Wege
- Kapselarmatur
- 3-Wege
- Kapselarmatur, Kapselventil, Bedienung: L, R, 3-Wege
- Kapselarmatur
- 3-Wege
- Kapselarmatur, Kapselventil, Bedienung: L, R, 3-Wege
- Kapselarmatur
- 3-Wege



Technische Daten

Druckverlust	0,05
Druckverlust bei 100 l/min	0,05
Druckverlust bei 150 l/min	0,05
Druckverlust bei 200 l/min	0,05
Druckverlust bei 250 l/min	0,05
Druckverlust bei 300 l/min	0,05
Druckverlust bei 350 l/min	0,05
Druckverlust bei 400 l/min	0,05
Druckverlust bei 450 l/min	0,05
Druckverlust bei 500 l/min	0,05
Druckverlust bei 550 l/min	0,05
Druckverlust bei 600 l/min	0,05
Druckverlust bei 650 l/min	0,05
Druckverlust bei 700 l/min	0,05
Druckverlust bei 750 l/min	0,05
Druckverlust bei 800 l/min	0,05
Druckverlust bei 850 l/min	0,05
Druckverlust bei 900 l/min	0,05
Druckverlust bei 950 l/min	0,05
Druckverlust bei 1000 l/min	0,05

[pdf] Datasheet

Datenblatt Hansa EHM Küchenarm ND HANSARONDA 5523 CU Rohr 2 strahlig Ausld 221mm DN15 chr 55231103 hadb datasheet shkhelden de media c3 52 f7 1724939194 |||

...

lang:de score:11 filesize: 863.82 K page_count: 2 document date: 2024-05-30