

Manuals+

[Q & A](#) | [Deep Search](#) | [Upload](#)

manuals.plus /

› [Ideal Security](#) /

› [Ideal Security GL Door Lever Set with Keyed Deadbolt Lock for Storm and Screen Doors - Installation and User Manual](#)

Ideal Security HK01-I-061

Ideal Security GL Door Lever Set with Keyed Deadbolt Lock for Storm and Screen Doors

Model: HK01-I-061

INTRODUCTION

This manual provides detailed instructions for the installation, operation, and maintenance of your Ideal Security GL Door Lever Set with Keyed Deadbolt Lock. This set is designed to enhance the functionality and security of storm and screen doors. Please read all instructions carefully before beginning installation or use.

SAFETY INFORMATION

- Always wear appropriate safety gear, such as safety glasses, during installation.
- Ensure the work area is well-lit and clear of obstructions.
- Use caution when operating power tools, such as drills.
- Keep small parts away from children to prevent choking hazards.
- This deadbolt provides a secondary level of security and is not intended as a high-security lock.

PACKAGE CONTENTS

Verify that all components are present before beginning installation:

- Exterior Lever Handle
- Interior Latch
- Keyed Deadbolt (Exterior and Interior components)
- Keys
- Spindles (various lengths for handle)
- Machine Screws (various lengths)
- Tapping Screws
- Deadbolt Spindle (flat, notched metal rod)

- Strike Plates



Figure 1: All components of the Ideal Security GL Door Lever Set.

TOOLS REQUIRED

- Tape Measure
- Drill
- Drill Bits (appropriate sizes for pilot holes and spindle holes)
- Screwdriver (Phillips head recommended)
- Center Punch (optional, for marking drill points)
- Hacksaw or Metal Snips (for deadbolt spindle adjustment, if necessary)

INSTALLATION

Compatibility

- Fits doors from 1 inch to 2-1/8 inches thick.
- Compatible with most pre-installed surface mount handles.
- The screw posts for the handle must be 1-3/4 inches apart for replacement installations.
- This set is designed for out-swinging storm or screen doors.
- Can be installed for left-handed or right-handed applications.

Existing Handle Replacement

1. Remove your existing storm door handle and deadbolt.
2. Ensure the screw posts for the new handle align with the existing holes, which should be 1-3/4 inches apart.
3. Follow the general assembly steps below, utilizing existing holes where possible.

New Installation

For new installations, three additional holes are required to be drilled through the door for the screws and spindle. Refer to the dimension diagrams for precise measurements.

1. **Positioning:** Determine the desired location for the handle and deadbolt. The deadbolt can be installed above or below the handle.
2. **Marking Holes:** Use a pencil and tape measure to mark the drilling points on the door. A center punch can help prevent the drill bit from wandering.
3. **Drilling:** Carefully drill the necessary holes for the handle and deadbolt components. Ensure holes are straight and clean.

HK01-I

INSTALLATION DIMENSIONS INSIDE SURFACE/DIMENSIONS D'INSTALLATION SURFACE INTÉRIEURE

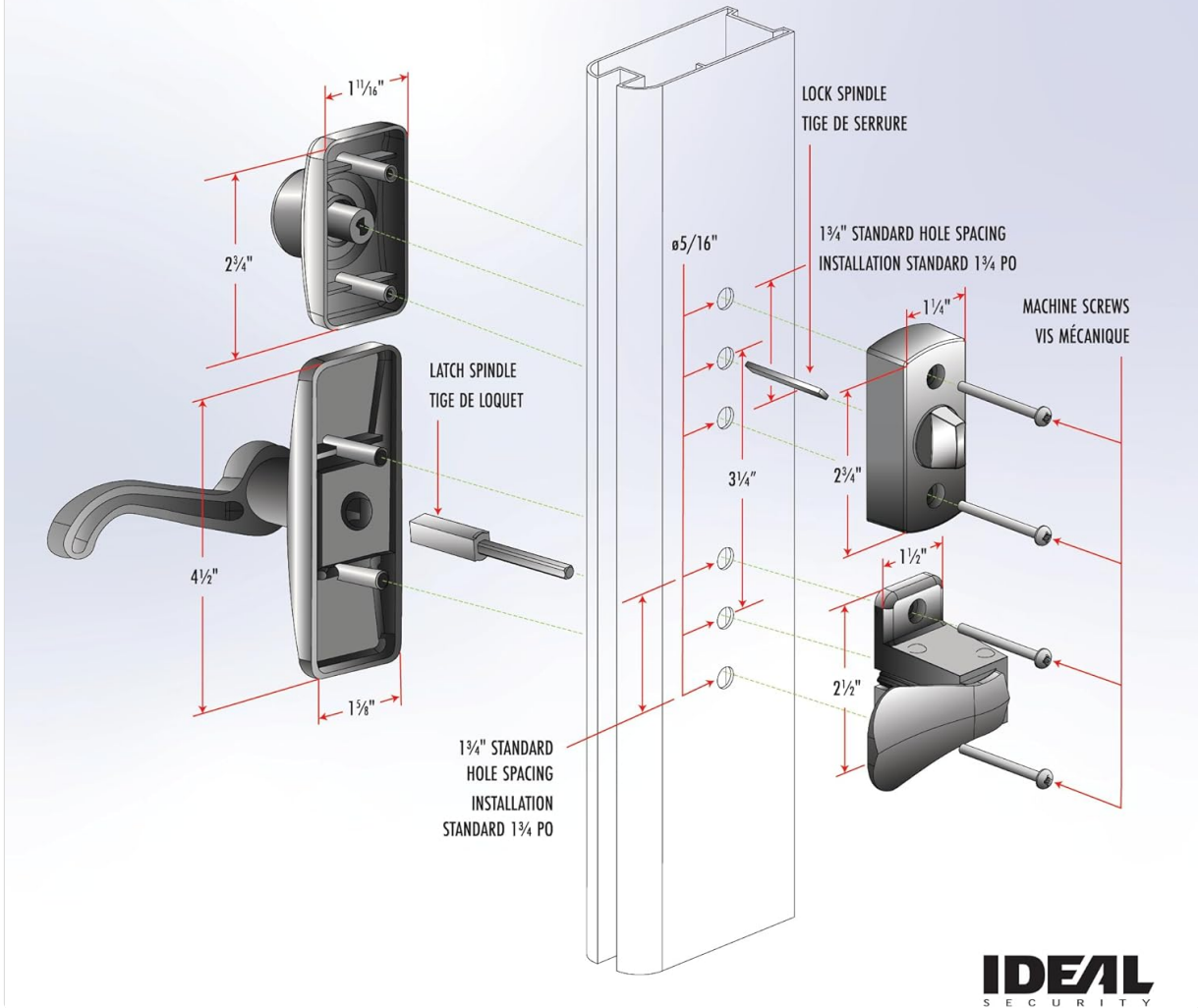


Figure 2: Inside Surface Installation Dimensions (HK01-I).

HK01-I

INSTALLATION DIMENSIONS OUTSIDE SURFACE/DIMENSIONS D'INSTALLATION SURFACE EXTÉRIEURE

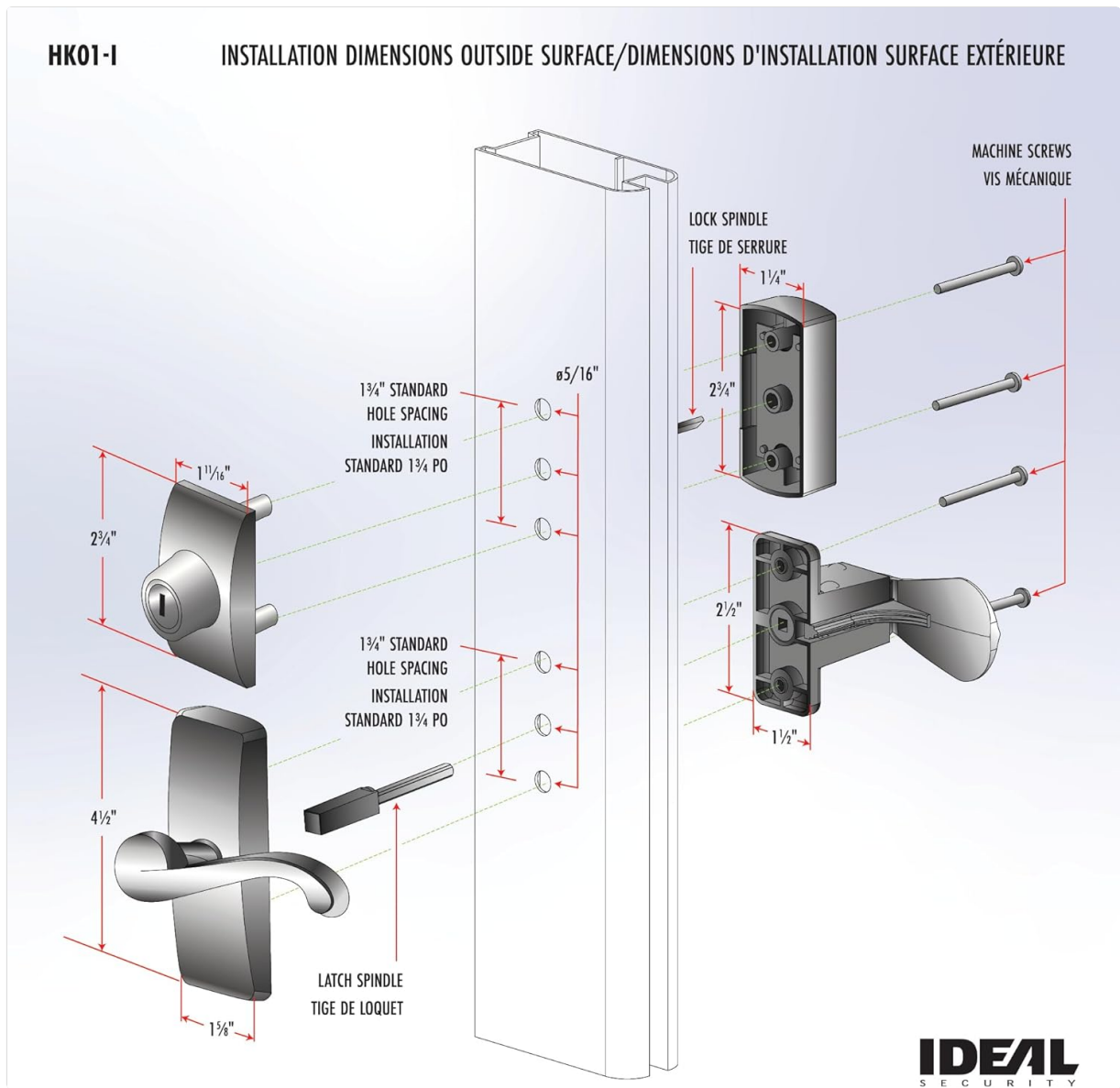


Figure 3: Outside Surface Installation Dimensions (HK01-I).

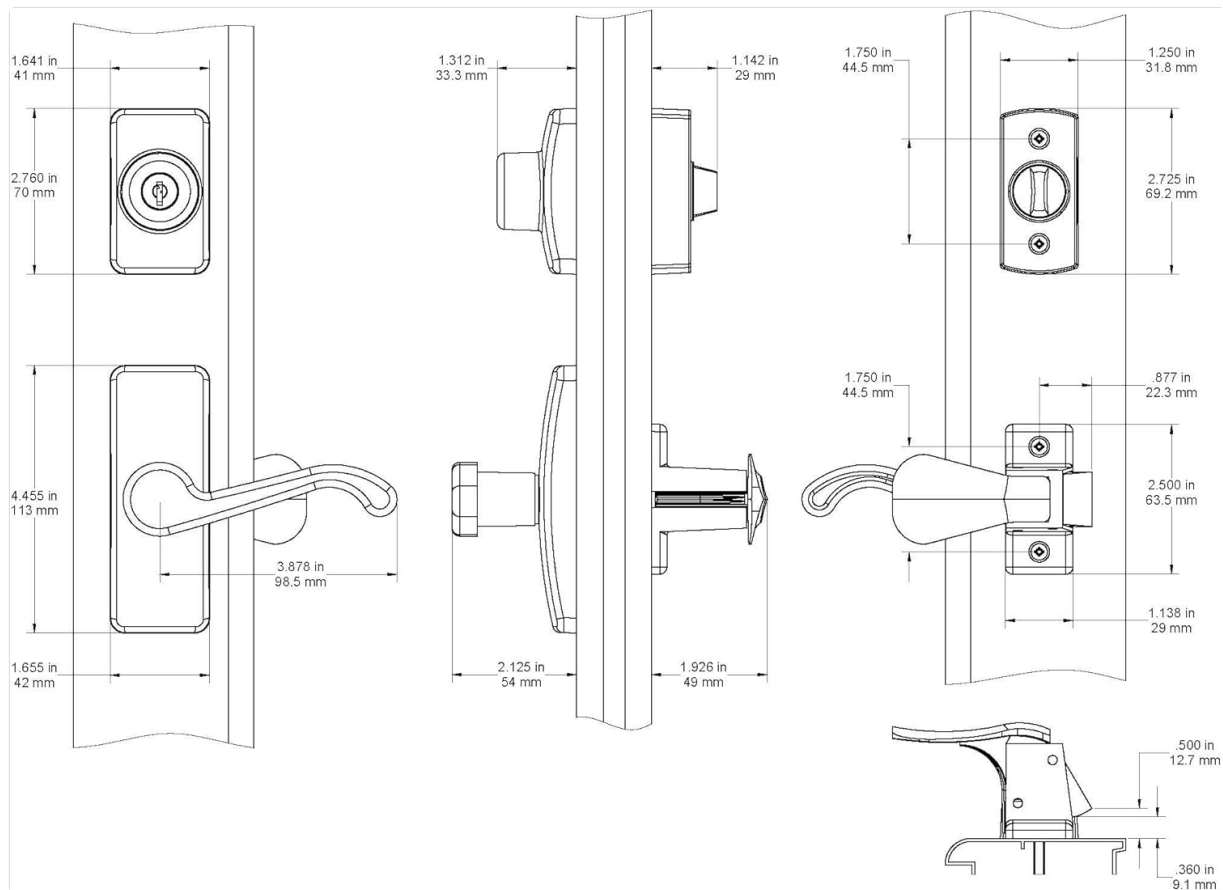


Figure 4: Detailed Product Dimensions.

General Assembly Steps

1. **Install Handle Spindle:** Insert the appropriate length spindle through the door from the exterior handle. The kit includes five differently-sized spindles for the handle; select the one that fits your door thickness.
2. **Attach Interior Latch:** Align the interior latch with the spindle and screw posts. Secure it with the provided machine screws. Do not fully tighten screws until all components are aligned.
3. **Deadbolt Spindle Adjustment:** The flat, notched metal spindle for the deadbolt may need to be cut to fit your door's thickness. Measure carefully and cut with a hacksaw or metal snips. If you do not plan to use the outside key function, this spindle is not strictly necessary for the deadbolt to operate from the inside.
4. **Install Deadbolt:** Insert the deadbolt spindle through the door. Align the exterior and interior deadbolt components and secure them with machine screws.
5. **Check Alignment:** Before fully tightening all screws, ensure that the inside latch and lock do not interfere with the operation of your main door handle. If interference occurs, adjust the position of the storm door hardware by raising or lowering it slightly.
6. **Final Tightening:** Once all components are correctly aligned and operating smoothly, fully tighten all screws.
7. **Install Strike Plates:** Attach the strike plates to the door frame, ensuring proper alignment with the latch and deadbolt.

OPERATING INSTRUCTIONS

- **Lever Handle:** To open the door from the outside, depress the lever handle. From the inside, push the interior latch.
- **Keyed Deadbolt:** To lock the door from the outside, insert the key and turn. To unlock, turn the key in

the opposite direction. From the inside, rotate the thumb turn to engage or disengage the deadbolt.

MAINTENANCE

- Clean the hardware periodically with a soft, damp cloth. Avoid abrasive cleaners or solvents that may damage the finish.
- Inspect screws and connections annually to ensure they remain tight. Tighten if necessary.
- If the lock mechanism becomes stiff, a small amount of graphite lubricant can be applied to the keyway.

TROUBLESHOOTING

Problem	Possible Cause	Solution
Deadbolt does not slide easily.	Screws are too tight; misalignment; debris in mechanism.	Loosen screws slightly. Check alignment of deadbolt components and strike plate. Clean mechanism if necessary.
Key does not engage the deadbolt from the outside.	Deadbolt spindle not properly engaged or cut to incorrect length.	Ensure the flat, notched deadbolt spindle is correctly inserted and engaging both the exterior key cylinder and interior thumb turn. Verify spindle length is appropriate for door thickness.
Handle or lock interferes with main door handle.	Incorrect positioning during installation.	Loosen mounting screws and adjust the position of the storm door hardware (raise or lower) until there is no interference. Retighten screws.
Loose handle or deadbolt components.	Mounting screws are loose.	Tighten all mounting screws securely.

SPECIFICATIONS

- **Model:** HK01-I-061
- **Material:** Zinc
- **Color:** Black
- **Product Dimensions:** 4.75"L x 2.12"W
- **Door Thickness Compatibility:** 1" to 2-1/8"
- **Handle Screw Post Spacing:** 1.75 inches (center to center)
- **Lock Type:** Key Lock (Deadbolt)
- **Hand Orientation:** Ambidextrous (reversible)
- **Included Components:** Deadbolt, Latch, Screws

WARRANTY AND SUPPORT

Limited One-Year Warranty

All Ideal Security products are warranted to be free of labor and material defects for one year from the date of purchase. If you encounter any issues, please contact customer service before returning your item.

Customer Support

For assistance or warranty claims, please contact Ideal Security customer service:

- **Email:** info@idealinc.com
- **Phone:** 1-800-361-2236

Defective products can be returned to the place of purchase with proof of purchase for replacement.