

Manuals.plus /

› Came /

› CAME BK 2200 230V Sliding Gate Motor User Manual

Came BK 2200

CAME BK 2200 230V Sliding Gate Motor User Manual

Model: BK 2200

1. PRODUCT OVERVIEW

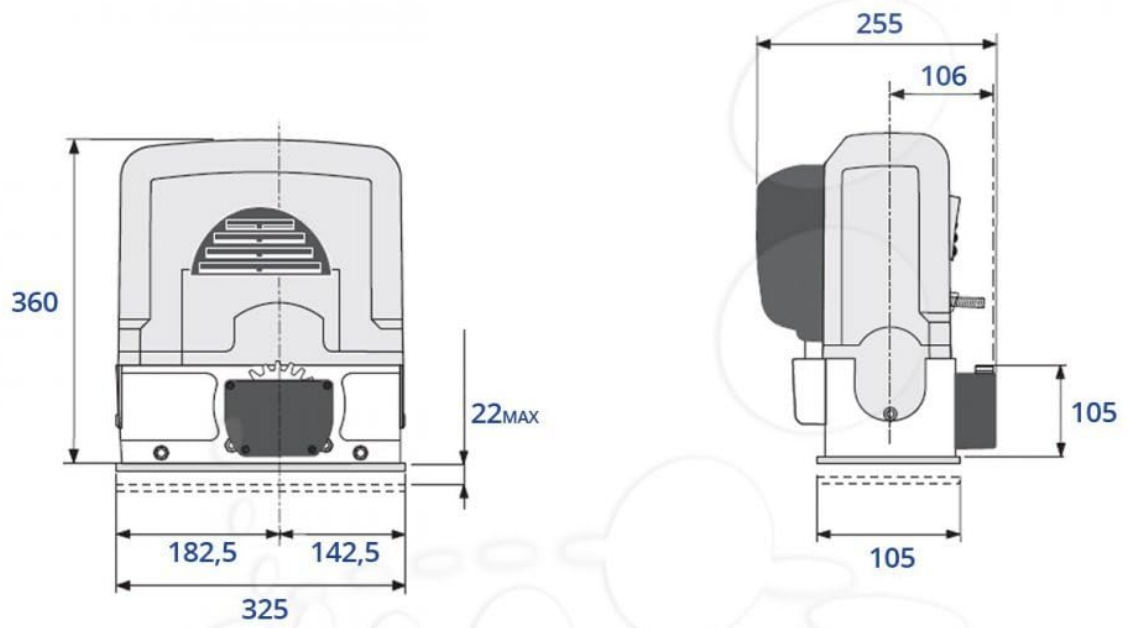
The CAME BK 2200 is a robust and reliable motorization system designed for automating sliding gates weighing up to 2200 kg. This powerful motor is suitable for both collective and industrial applications, making it an ideal solution for residential complexes, factories, warehouses, and public utility establishments. The motor features a durable, resistant plastic cover and a die-cast aluminum base, ensuring longevity and protection. It is equipped with an integrated electronic control board for efficient and precise operation.

2. KIT CONTENTS

The CAME BK 2200/S motorization kit includes the following components:

- 1 x CAME BK 2200 Motor
- 1 x Integrated ZBK Control Unit
- 1 x AF43S Radio Frequency Card
- 1 x TOP432EE Remote Control

BK-2200



VERWENDUNGSBESCHRÄNKUNGEN

Max. Torflügelbreite (m)	20
Max. Torflügelgewicht (kg)	2200
Antriebsrad Modul	6



Image: The CAME BK 2200 motor unit, showcasing its robust housing and design.



Image: The CAME TOP432EE remote control, used for operating the gate.

3. KEY FEATURES

- Designed for automating collective and industrial sliding gates.
- Gearmotor equipped with a module 6 pinion.
- Opening speed of 10.5 meters per minute.
- Compact motor dimensions: 360mm x 325mm x 255mm.

- Features an easy-to-use motor release mechanism for manual operation.
- Aesthetic design with an elegant form.
- Ensures smooth operation through quick start and slow stop functions.
- Supplied with all necessary fixing elements for installation.
- Solid and resistant cover with an IP54 protection rating.
- Operates on a 230V power supply.
- Capable of handling gates up to 2200 kg.

4. SETUP

4.1 Safety Precautions

Installation must be performed by qualified personnel in compliance with local regulations and safety standards. Always disconnect the main power supply before performing any installation, maintenance, or repair work. Keep hands and loose clothing clear of moving parts. Ensure all safety devices (e.g., photocells, safety edges) are correctly installed and functioning.

4.2 Mounting the Motor

Secure the motor to a stable, level concrete base. Ensure the motor is correctly aligned with the gate's rack, maintaining a small clearance (approximately 1-2 mm) between the motor pinion and the rack to allow for thermal expansion and smooth operation. Use the provided fixing elements to firmly attach the motor.

4.3 Electrical Connections

Connect the 230V main power supply to the integrated ZBK control unit. Follow the wiring diagram provided in the detailed installation manual (not included here) for connecting safety devices such as photocells, flashing lights, and command devices. Ensure all connections are secure and properly insulated.

4.4 Radio Frequency Card Installation

Insert the AF43S radio frequency card into the designated slot on the ZBK control unit. This card enables communication with the remote controls.

5. OPERATING

5.1 First Use and Basic Programming

After completing the installation and electrical connections, power on the system. Refer to the detailed ZBK control unit manual for initial programming steps, including setting gate travel limits and operational parameters. This typically involves a self-learning procedure.

5.2 Remote Control Pairing (TOP432EE)

To pair the TOP432EE remote control with the system:

1. Access the programming mode on the ZBK control unit (refer to the control unit manual for specific button presses).
2. Press the desired button on the TOP432EE remote control. The control unit will acknowledge the pairing.
3. Repeat for any additional remote controls.
4. Exit programming mode.

5.3 Manual Release

In case of a power outage or system malfunction, the gate can be operated manually. Locate the manual release mechanism on the motor unit. Insert the provided key and turn it to disengage the motor, allowing the gate to be moved by hand. Remember to re-engage the motor after manual operation or when power is restored.

6. MAINTENANCE

Regular maintenance ensures the longevity and reliable operation of your CAME BK 2200 motor.

- **Monthly:** Inspect the gate's moving parts (wheels, hinges, rack) for wear or damage. Clean the motor housing to prevent dust and debris buildup.
- **Quarterly:** Check all electrical connections for tightness and signs of corrosion. Test all safety devices (photocells, safety edges) to ensure they are functioning correctly.
- **Annually:** It is recommended to have the system inspected by a qualified technician. They can perform a thorough check of all components, lubricate necessary parts, and verify system parameters.

7. TROUBLESHOOTING

Here are some common issues and their potential solutions:

- **Gate not moving:**
 - Check if the main power supply is connected and active.
 - Ensure the manual release mechanism is fully engaged.
 - Verify that the remote control battery is not depleted.
 - Check if safety devices (photocells) are obstructed or misaligned.
- **Gate stops unexpectedly:**
 - Look for any physical obstructions in the gate's path.
 - Check if safety devices have been activated.
 - Inspect the gate for excessive friction or damage.
- **Remote control not working:**
 - Replace the remote control battery.
 - Re-pair the remote control with the control unit (refer to Section 5.2).
 - Ensure the AF43S radio frequency card is correctly inserted.

If problems persist, contact a qualified technician for assistance.

8. SPECIFICATIONS

Specification	Value
Brand	Came
Manufacturer	CAME
Model	BK 2200
Item Weight	15 kg
Voltage	230 Volts
Power	580 Watts
Max Gate Weight	2200 kg
Max Gate Length	20 m
Drive Wheel Module	6
Protection Rating	IP54
Opening Speed	10.5 m/min
Dimensions (LxWxH)	360mm x 325mm x 255mm



Image: Technical drawing of the CAME BK 2200 motor, showing dimensions and usage limitations for gate width and weight.

9. WARRANTY AND SUPPORT

Specific warranty information for the CAME BK 2200 motor kit is not provided in this document. Please refer to your purchase documentation or contact the seller directly for details regarding warranty coverage.

For technical support, spare parts, or professional assistance, please contact your authorized CAME dealer or the point of purchase. Ensure you have your product model (BK 2200) and purchase date available when seeking support.