



Manuals.plus /

- › **Dynasty Hardware** /
- › Dynasty Hardware DYN-500P-06 Push Bar Panic Exit Device with Exterior Lever Handle Instruction Manual

## Dynasty Hardware DYN-500P-06

# Dynasty Hardware DYN-500P-06 Push Bar Panic Exit Device with Exterior Lever Handle Instruction Manual

Model: DYN-500P-06

## INTRODUCTION

---

This manual provides detailed instructions for the installation, operation, and maintenance of your Dynasty Hardware DYN-500P-06 Push Bar Panic Exit Device with Exterior Lever Handle. Please read these instructions carefully before installation and use to ensure proper function and safety.

The Dynasty Hardware DYN-500P-06 is an ANSI Grade 1 certified panic exit device designed for emergency exit doors. It is suitable for medium to high traffic applications and complies with ANSI 117.1 and ADA standards.



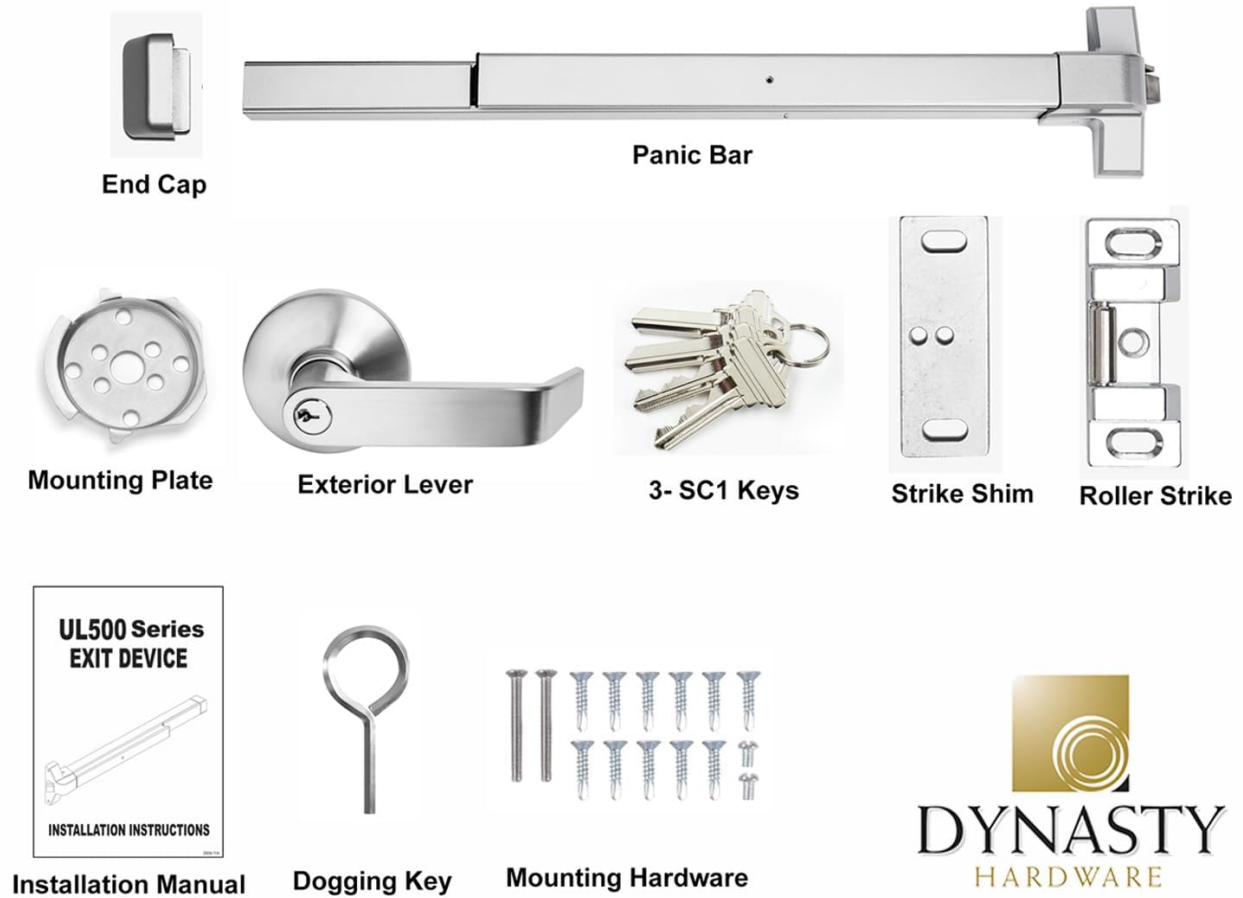
Figure 1: Complete Dynasty Hardware DYN-500P-06 Panic Exit Device with Exterior Lever Handle and components.

## PACKAGE CONTENTS

---

Verify that all components listed below are present in your package before beginning installation.

# Panic Bar Exit Device With Exterior Locking Lever



## Whats In The Box

**Figure 2:** All components included in the DYN-500P-06 package. This includes the panic bar, end cap, mounting plate, exterior lever, 3 SC1 keys, strike shim, roller strike, installation manual, dogging key, and mounting hardware.

- Interior Push Pad (Panic Bar)
- Exterior Locking Lever Trim
- Dogging Key (Hex Key)
- Adjustable Roller Latch
- Mounting Hardware
- 3 SC1 Keys
- Installation Manual (Printed)

## SETUP AND INSTALLATION

The DYN-500P-06 panic exit device is designed for wood or metal doors between 30 and 36 inches wide. The device is reversible for both right and left-hand door installations. The overall length of the device is 31 inches and can be cut to size if necessary. This device is not intended for use on glass storefront doors.

## Important Considerations Before Installation:

- Ensure the door width is within the specified range (30" to 36").
- The provided installation template may not be to scale. Always verify measurements directly on the door.
- Gather necessary tools: measuring tape, level, drill, screwdriver, safety glasses.

## Installation Steps:

1. **Prepare the Door:** If replacing an existing lock set, remove it completely.
2. **Disassemble Panic Bar:** Remove the head and end covers from the panic bar assembly.
3. **Mount Exterior Handle:** Install the exterior locking lever trim on the outside of the door according to the provided instructions.
4. **Position Panic Bar:** Hold the panic bar on the inside of the door at the desired height. Use a level to ensure it is straight.
5. **Mark Drill Holes:** Carefully mark the locations for all mounting holes on the door.
6. **Drill Holes:** Set the panic bar aside and drill the marked holes. Ensure correct drill bit size for your door material.
7. **Attach Bracket:** Secure the bracket that holds the butt end of the panic bar to the door.
8. **Install Panic Bar:** Insert the panic bar into the attached bracket and secure the remaining screws to fasten the panic bar to the door.
9. **Mount Roller Latch:** Install the adjustable roller latch onto the door frame stop.
10. **Reattach Covers:** Replace the head and end covers on the panic bar.
11. **Test Functionality:** Verify that the panic bar retracts the latch smoothly and the exterior lever operates correctly with the key.

# **Panic Bar Exit Device With Exterior Locking Lever**

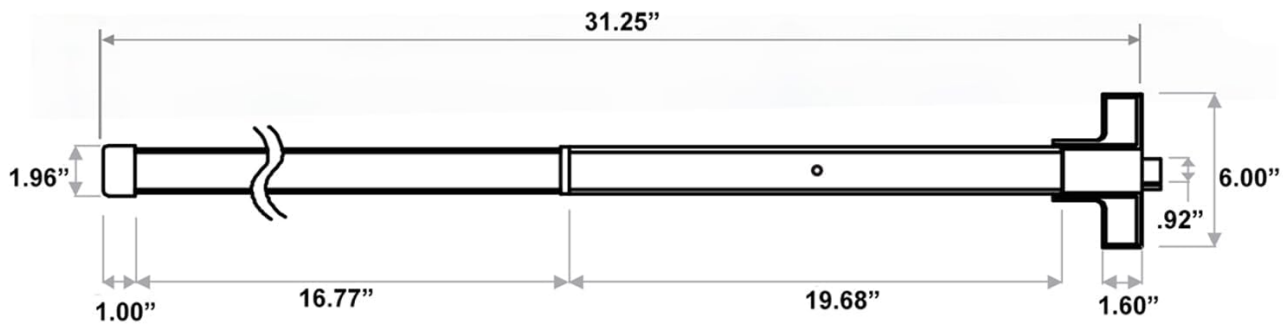
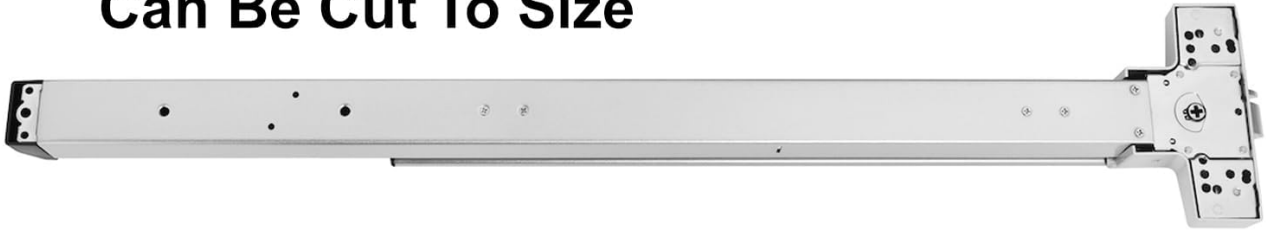


**Designed for Wood or Metal Doors  
Fits Right or Left Hand Swing Doors**

**Figure 3:** The DYN-500P-06 device is suitable for both wood and metal doors and can be installed for right or left-hand swing.

# Panic Bar Exit Device With Exterior Locking Lever

Can Be Cut To Size



Dimensions Shown In Inches



**Fits Doors 30" to 36" Wide  
For Use On  
Wood or Metal Doors**

**Figure 4:** Detailed dimensions of the panic bar in inches. The device is 31.25 inches long and can be cut to fit doors between 30 and 36 inches wide.

## OPERATING INSTRUCTIONS

### Standard Operation:

- **Exiting:** To exit, simply push the panic bar. The latch bolt will retract, allowing the door to open.
- **Entering (Locked):** To enter from the exterior when the lever is locked, insert the key into the exterior lever cylinder and turn to retract the latch bolt.
- **Entering (Unlocked):** If the exterior lever is unlocked, turn the lever handle to retract the latch bolt and open the door.

# Panic Bar Exit Device With Exterior Locking Lever



**ANSI Certified  
500,000 Plus  
Open/Close Cycles**

**Figure 5:** Pushing the panic bar from the interior allows for immediate exit.

# Panic Bar Exit Device With Exterior Locking Lever



5/32"  
Hex Dogging Key

Turning The Dogging Key  
Makes The Door Not Latch  
Makes It So You Just Push  
Or Pull The Door To Open  
Or Close



Includes Dogging Feature  
Perfect For High  
Traffic Doors

Figure 6: The exterior lever allows entry with a key when locked, or by turning the handle when unlocked.

## Dogging Feature:

The dogging feature allows the latch bolt to remain retracted, converting the door to a push-pull function. This is ideal for high-traffic areas where the door needs to remain unlocked and easily accessible without operating the panic bar or lever.

1. Locate the dogging hole on the panic bar.
2. Insert the provided hex dogging key into the hole.
3. Turn the key to engage the dogging mechanism. The latch bolt will retract and stay in the open position.
4. To disengage dogging, turn the key in the opposite direction.



This section addresses common issues you might encounter with your panic exit device.

Problem	Possible Cause	Solution
Panic bar is stiff or not retracting latch fully.	Accumulated dirt, lack of lubrication, misaligned components.	Clean the mechanism. Apply silicone lubricant to moving parts. Check for loose mounting screws and adjust alignment if necessary.
Exterior lever is difficult to turn or key does not operate smoothly.	Dirt in key cylinder, worn key, internal mechanism issue.	Apply graphite lubricant to the key cylinder. Try a spare key. If issue persists, contact support.
Door does not latch when dogging is disengaged.	Dogging mechanism still partially engaged, latch bolt obstruction.	Ensure the dogging key is fully disengaged. Check for any obstructions preventing the latch bolt from extending.
Door does not open when panic bar is pushed.	Latch bolt stuck, internal mechanism failure.	Inspect the latch bolt for obstructions. If the mechanism appears broken, contact Dynasty Hardware support.

If you encounter issues not listed here or if the suggested solutions do not resolve the problem, please contact Dynasty Hardware customer support.

## SPECIFICATIONS

Brand	Dynasty Hardware
Model Name	DYN-500P-06
UPC	640265324734
Lock Type	Cylindrical
Special Feature	Includes Locking Exterior Lever
Material	Alloy Steel, Zinc (Handle Material: Steel)
Style	Heavy Duty
Color	Sprayed Aluminum
Product Dimensions (L x W x H)	13.03 x 2.64 x 2.64 inches (Device length: 31 inches)
Item Weight	9.19 pounds
Door Width Compatibility	30" to 36" (Can be cut to size)
Certifications	ANSI Grade 1, ANSI 117.1, ADA Compliant
Cycle Rating	Exceeds 500,000 cycles
Keyway	SC4 keyway 6 pin cylinder

## WARRANTY INFORMATION

The Dynasty Hardware DYN-500P-06 Push Bar Panic Exit Device is backed by a **Limited Lifetime Factory Warranty**. For specific terms and conditions of the warranty, please refer to the warranty card included with your product or contact Dynasty Hardware customer support.

## CUSTOMER SUPPORT

If you have any questions regarding the installation, operation, maintenance, or warranty of your Dynasty Hardware DYN-500P-06 panic exit device, please contact Dynasty Hardware customer support.

You can find more information and contact details on the official Dynasty Hardware website or through their Amazon store page: [Dynasty Hardware Amazon Store](#).