



Manuals.plus /

- › GSP /
- › GSP 802006 Joint Kit, Drive Shaft Instruction Manual

## GSP 802006

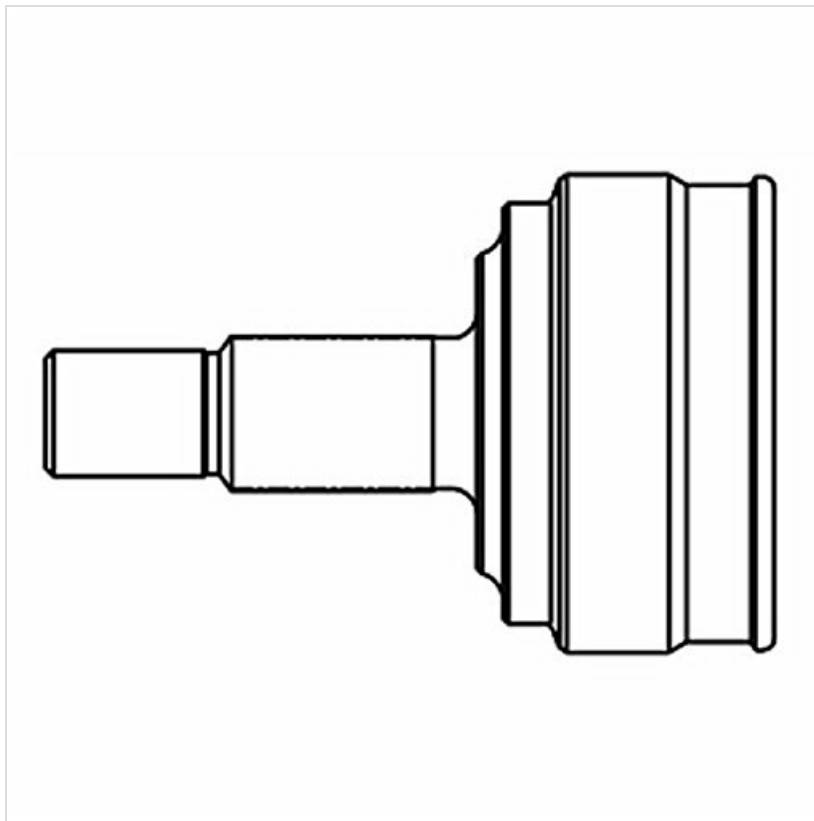
# GSP 802006 Joint Kit, Drive Shaft - Instruction Manual

Brand: GSP | Model: 802006

## 1. PRODUCT OVERVIEW

---

The GSP 802006 Joint Kit is a critical component designed for the drive shaft system of compatible vehicles. This kit provides the necessary parts for replacing or repairing the constant velocity (CV) joint, which is essential for transmitting power from the transmission to the wheels while allowing for the necessary flexibility in steering and suspension movement. It is engineered to meet or exceed OEM specifications, ensuring reliable performance and durability.



**Figure 1:** Diagram illustrating the GSP 802006 Joint Kit, Drive Shaft. This image shows the general shape and structure of the constant velocity joint, highlighting its cylindrical body and splined shaft designed for connection within the vehicle's drivetrain.

## 2. KEY FEATURES

---

- **Outer teeth wheel side:** 25
- **Sealing ring diameter:** 52 mm
- **Inner teeth wheel side:** 25
- **Length:** 143 mm
- **Specification:** groove type: outer
- **Number of teeth ABS ring:** 44

## 3. SPECIFICATIONS

---

<b>Manufacturer</b>	GSP Automotive Group Wenzhou Co. Ltd.
<b>Brand</b>	GSP
<b>Item Model Number</b>	802006
<b>Manufacturer Part Number</b>	802006
<b>OEM Part Numbers</b>	ALFA ROMEO: 60812760, FIAT: 46307034, FIAT: 46307169
<b>Position</b>	Front
<b>Item Weight</b>	2.4 kg
<b>Package Dimensions</b>	20 x 11.5 x 11.5 cm

## 4. SETUP AND INSTALLATION

Installation of a drive shaft joint kit requires specialized tools and automotive knowledge. It is highly recommended that this procedure be performed by a qualified professional mechanic to ensure proper fitment, safety, and vehicle operation.

### General Installation Steps (Professional Installation Recommended):

- Safety First:** Ensure the vehicle is securely lifted and supported on jack stands. Disconnect the battery. Wear appropriate personal protective equipment (PPE).
- Remove Wheel and Brake Components:** Carefully remove the wheel, brake caliper, and rotor to access the hub assembly.
- Disconnect Drive Shaft:** Loosen and remove the axle nut. Disconnect the lower control arm or tie rod end to allow the steering knuckle to pivot, providing clearance to remove the drive shaft from the hub.
- Remove Old CV Joint:** Depending on the vehicle and joint type, the old CV joint may need to be separated from the drive shaft using a hammer and chisel or a specialized puller. Be careful not to damage the drive shaft.
- Clean and Prepare:** Thoroughly clean the drive shaft splines and surrounding areas. Inspect the drive shaft for any damage.
- Install New CV Joint:** Apply the provided grease to the new CV joint. Carefully slide the new joint onto the drive shaft, ensuring the splines align. Use a soft-faced hammer to gently tap it into place if necessary, ensuring it seats fully.
- Install New Boot and Clamps:** Secure the new CV boot over the joint and shaft, ensuring it is properly sealed with the provided clamps to prevent contamination.
- Reassemble Components:** Reinsert the drive shaft into the hub assembly. Reconnect all suspension and brake components. Torque all nuts and bolts to the manufacturer's specifications.
- Final Checks:** Lower the vehicle. Check for proper operation and ensure all components are securely fastened.

*Always refer to your vehicle's specific service manual for detailed, model-specific installation instructions and torque specifications.*

## 5. MAINTENANCE

---

Proper maintenance of your GSP 802006 Joint Kit is crucial for its longevity and the overall health of your vehicle's drivetrain. The primary maintenance aspect for a CV joint is ensuring the integrity of its protective boot.

- **Regular Inspection:** Periodically inspect the CV joint boots for any signs of cracks, tears, or punctures. A damaged boot will allow dirt, water, and debris to enter the joint, leading to premature wear and failure of the joint due to loss of lubrication.
- **Boot Replacement:** If a boot is found to be damaged, it should be replaced immediately. Early boot replacement can prevent the need for a full CV joint replacement.
- **Listen for Noises:** Pay attention to any clicking, popping, or clunking noises, especially when turning or accelerating. These can be indicators of a failing CV joint, often due to a compromised boot and lack of lubrication.

While the joint itself is sealed and lubricated for life under normal operating conditions, the boot is a wear item that requires attention.

## 6. TROUBLESHOOTING

---

If you experience issues that you suspect are related to the drive shaft joint, consider the following common symptoms and potential causes:

- **Clicking or Popping Noise (especially when turning):** This is the most common symptom of a failing outer CV joint. It indicates wear in the joint, often due to a torn boot allowing dirt and moisture in.
- **Clunking Noise (when shifting from drive to reverse, or accelerating/decelerating):** This can indicate excessive play in the inner CV joint or other drivetrain components.
- **Vibration (especially during acceleration):** Vibrations that increase with acceleration can be a sign of a worn inner CV joint or an unbalanced drive shaft.
- **Grease Leaks:** Visible grease on the inside of the wheel or under the vehicle near the wheel indicates a torn or damaged CV boot, which will eventually lead to joint failure if not addressed.

If you encounter any of these symptoms, it is advisable to have your vehicle inspected by a qualified mechanic. Continuing to drive with a failing CV joint can lead to further damage to your vehicle and potentially unsafe driving conditions.

## 7. WARRANTY AND SUPPORT

---

For specific warranty information regarding your GSP 802006 Joint Kit, please refer to the warranty documentation provided at the time of purchase or contact your retailer. GSP products are manufactured to high standards, and warranty coverage typically addresses manufacturing defects.

For technical support or inquiries about the product, please contact GSP Automotive Group Wenzhou Co. Ltd. directly or reach out to the authorized distributor or seller from whom you purchased the product. When contacting support, please have your product model number (802006) and purchase details readily available.

**Manufacturer Contact Information:**

GSP Automotive Group Wenzhou Co. Ltd.

*(Specific contact details such as phone numbers or email addresses are not provided in the product data.*

*Please refer to the manufacturer's official website for the most current contact information.)*