

EZ-FLO 11129

EZ-FLO Two-Handle Add-On Shower Diverter Bathcock

Model: 11129

1. PRODUCT OVERVIEW

The EZ-FLO Two-Handle Add-On Shower Diverter Bathcock, Model 11129, is designed to add shower functionality to bathtubs that do not originally include a shower feature. Constructed from durable brass with a polished chrome finish, this unit offers both reliability and a contemporary aesthetic. It is suitable for traditional clawfoot and roll-top style tubs, providing a practical solution for converting a bath-only setup to include a shower.



Image 1.1: Front view of the EZ-FLO Two-Handle Add-On Shower Diverter Bathcock.

2. FEATURES

- **Durable Construction:** Made from high-impact brass with a polished chrome finish for corrosion resistance and a sleek appearance.
- **Two-Handle Operation:** Features two handles for precise control over hot and cold water flow.
- **Integrated Diverter Spout:** A pull-up diverter on the spout allows for easy transition between bathtub faucet use and showerhead use.
- **Standard Connections:** Equipped with standard 3/4 inch Male Inlet Pipe (MIP) diverter spout connections and a 3/8 inch riser connection for compatibility with most bathtubs.
- **Universal Fit:** Designed to fit most bathtubs with 3-3/8 inch centers.



Durable

Constructed of high-impact brass with a polished chrome finish to resist corrosion

Image 2.1: Top view showing the two handles and diverter knob.

3. SAFETY INFORMATION

Please read all instructions carefully before installation and use. Failure to follow these instructions may result in property damage or personal injury.

- Always turn off the main water supply before beginning any plumbing work.
- Wear appropriate personal protective equipment, such as safety glasses and gloves.
- Ensure all connections are secure to prevent leaks. Do not overtighten.
- If you are unsure about any step, consult a qualified plumber.
- Keep small parts away from children.

4. PACKAGE CONTENTS

Verify that all components are present before beginning installation:

- EZ-FLO Two-Handle Add-On Shower Diverter Bathcock (Main Unit)
- Mounting Nuts and Washers
- Handle Screws

Features:

3-3/8 in.
Centers

3/8 in. Riser
connection

3/4 in. Male inlet
pipe (MIP) centers



Image 4.1: Exploded view of the bathcock components.

5. INSTALLATION INSTRUCTIONS

This section provides general guidelines for installing the EZ-FLO Shower Diverter Bathcock. Specific plumbing configurations may vary.

Tools Required:

- Adjustable Wrench or Pliers
- Plumber's Tape (Thread Seal Tape)
- Screwdriver (Phillips head)

Installation Steps:

1. **Prepare the Installation Area:** Ensure the main water supply to the bathtub is turned off. Drain any remaining water from the existing faucet.
2. **Remove Existing Faucet (if applicable):** If replacing an old bathcock, carefully disconnect and remove it. Clean the mounting surface thoroughly.
3. **Apply Plumber's Tape:** Wrap plumber's tape clockwise around the threads of the 3/4 inch MIP connections on the new bathcock.
4. **Position the Bathcock:** Insert the threaded connections of the bathcock through the mounting holes on your bathtub. Ensure the spout is facing the correct direction.

5. **Secure the Connections:** From underneath the tub, thread the mounting nuts onto the connections. Hand-tighten first, then use an adjustable wrench or pliers to tighten securely. Do not overtighten, as this can damage the connections.
6. **Connect Riser (if applicable):** If you are connecting a shower riser, apply plumber's tape to the 3/8 inch top tap threads and securely attach the riser.
7. **Install Handles:** Place the handles onto their respective stems and secure them with the provided screws using a Phillips head screwdriver.
8. **Test for Leaks:** Slowly turn the main water supply back on. Check all connections for leaks. If leaks occur, gently tighten the connections further.



Image 5.1: Illustration of bathcock installation onto a tub.

6. OPERATING INSTRUCTIONS

Using your EZ-FLO Shower Diverter Bathcock is straightforward:

- **To Fill the Bathtub:** Turn the hot and cold water handles to achieve the desired water temperature and flow. Water will flow from the main spout.
- **To Use the Shower:** While water is flowing from the main spout, pull up the diverter knob located on top of the spout. This will redirect water flow to the connected showerhead.
- **To Return to Bathtub Flow:** Push the diverter knob back down. Water will resume flowing from the main spout.

7. MAINTENANCE

Proper care will ensure the longevity and appearance of your bathcock:

- **Cleaning:** Clean the chrome finish regularly with a soft cloth and mild soap or a non-abrasive cleaner specifically designed for chrome fixtures. Avoid harsh chemicals, abrasive cleaners, or scouring pads, as these can damage the finish.
- **Leak Prevention:** Periodically check connections for any signs of leaks. Tighten connections gently if necessary.
- **Diverter Function:** If the diverter becomes stiff or difficult to operate, a small amount of silicone-based lubricant can be applied to the moving parts.

8. TROUBLESHOOTING

Problem	Possible Cause	Solution
Water leaks from connections	Loose connections, worn washers, insufficient plumber's tape.	Tighten connections. Apply more plumber's tape. Replace washers if worn.
Diverter does not fully engage/disengage	Mineral buildup, worn diverter mechanism.	Clean diverter area. Apply silicone lubricant. If issue persists, consider replacing the diverter mechanism or unit.
Low water flow	Partially closed water supply, clogged aerator (if applicable), plumbing issue.	Ensure water supply valves are fully open. Check for clogs. Consult a plumber if necessary.

9. SPECIFICATIONS

Feature	Detail
Brand	EZ-FLO
Model Number	11129
Material	Brass
Finish Type	Chrome
Mounting Type	Wall Mount (for tub-mounted applications)
Number of Handles	2
Centers	3-3/8 inches
Inlet Pipe Connections	3/4 inch Male Inlet Pipe (MIP)
Riser Connection	3/8 inch
Item Weight	1 Pound



Two-Handle Add-On Shower Diverter Bathcock



SHOWER

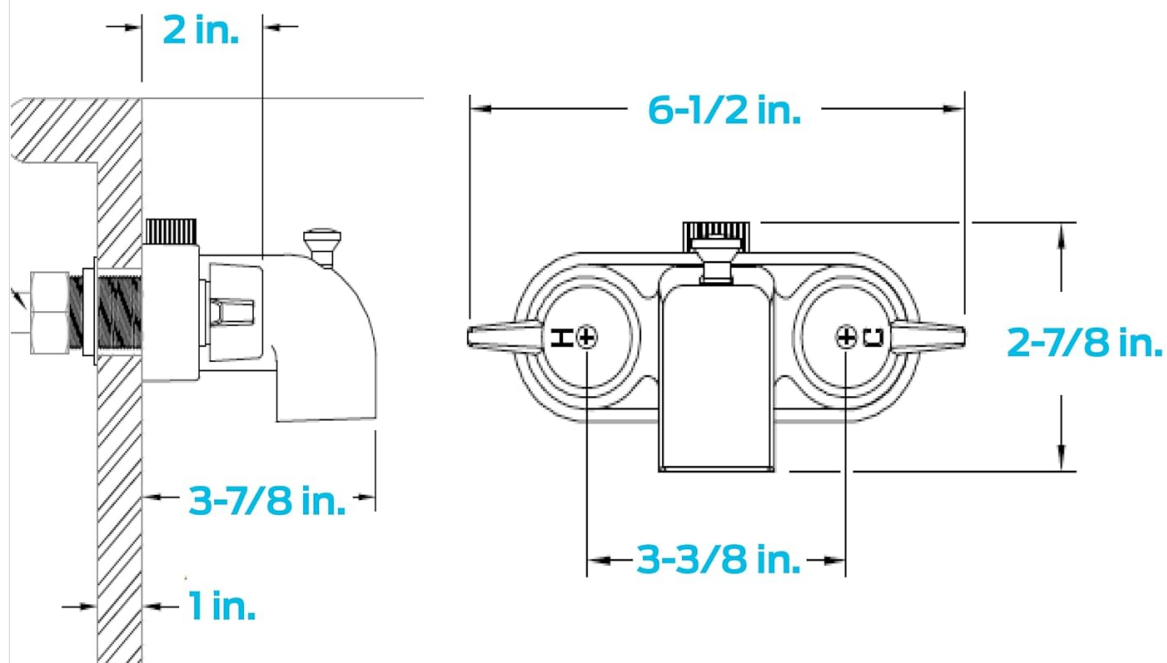


Image 9.1: Dimensional drawing of the bathcock.

10. WARRANTY INFORMATION

EZ-FLO products are manufactured to high-quality standards and are backed by a limited warranty against defects in materials and workmanship. For specific warranty terms and conditions, please refer to the warranty card included with your product or visit the official EZ-FLO website. Keep your proof of purchase for warranty claims.

11. CUSTOMER SUPPORT

If you have any questions, require assistance with installation, or need to troubleshoot an issue not covered in this manual, please contact EZ-FLO customer support:

- **Website:** Visit the [EZ-FLO Store on Amazon](#)
- **General Inquiries:** Refer to the contact information provided on the product packaging or the official EZ-FLO website.

