



Manuals.plus /

- › TONE /
- › TONE Ratchet Handle (Socket Hold Type) RH2H 1/4-Inch Drive User Manual

TONE RH2H

TONE Ratchet Handle (Socket Hold Type) RH2H 1/4-Inch Drive User Manual

1. INTRODUCTION

This manual provides essential information for the safe and effective use of your TONE RH2H 1/4-inch drive ratchet handle. The TONE RH2H is engineered for precision and durability, featuring a compact design and a 72-tooth gear mechanism for a fine 5-degree feed angle. Its integrated socket hold mechanism ensures secure attachment of sockets during operation.

2. SAFETY INFORMATION

- Always wear appropriate personal protective equipment, such as safety glasses, when using hand tools.
- Ensure the correct size socket is used for the fastener to prevent damage to the fastener or tool.
- Do not use the ratchet handle if it is damaged or appears to be malfunctioning.
- Avoid applying excessive force beyond the tool's intended capacity, as this can lead to breakage or injury.
- Keep hands and fingers clear of moving parts during operation.
- Store the tool in a clean, dry place away from children.

3. PRODUCT FEATURES

- **Drive Size:** 1/4 inch (6.35 mm) square drive.
- **Gear Mechanism:** 72 teeth for a fine 5-degree feed angle, allowing for precise adjustments in confined spaces.
- **Socket Hold Type:** Features a secure socket retention mechanism to prevent accidental detachment.
- **Compact Design:** Optimized for maneuverability and functionality, with a sleek and streamlined form.
- **Durable Construction:** Made from metal with a brushed finish for longevity and comfortable grip.

4. SPECIFICATIONS

Specification	Value
Brand	TONE
Model Number	RH2H
Drive Size	1/4 inch (6.35 mm)
Total Length	145 mm (5.7 inches)
Width	19.3 mm (0.7 inches)
Thickness	20 mm (0.8 inches)
Weight	80 g (2.82 oz)
Number of Teeth	72
Feed Angle	5 degrees
Material	Metal
Finish Type	Brushed
Head Style	Round
Operation Mode	Mechanical

Note: All dimensions are approximate and subject to manufacturing tolerances.

5. SETUP

Attaching a Socket

1. Select the appropriate 1/4-inch drive socket for your application.
2. Align the square drive opening of the socket with the square drive on the ratchet head.
3. Press the socket firmly onto the ratchet drive. The socket hold mechanism will engage, securing the socket in place.

Removing a Socket

1. To release the socket, press the button on the center of the ratchet head.
2. While holding the button, pull the socket straight off the drive.



Figure 1: Socket Hold Mechanism. This diagram shows how to engage and disengage a socket from the ratchet head using the push-button release.

6. OPERATING INSTRUCTIONS

Direction Selection

The ratchet handle features a lever on the head to select the direction of rotation (clockwise or counter-clockwise). Move the lever to the desired position for tightening or loosening fasteners.

Applying Torque

Once the socket is securely attached and the direction is set, place the socket onto the fastener. Apply steady, controlled force to the handle to turn the fastener. The 72-tooth mechanism allows for small, precise turns with a 5-degree feed angle, which is beneficial in tight spaces.



Figure 2: TONE RH2H Ratchet Handle. A general view of the ratchet handle, illustrating its ergonomic design and compact head.

7. MAINTENANCE

- **Cleaning:** After each use, wipe the ratchet handle clean with a dry cloth to remove dirt, grease, and

debris. For stubborn grime, use a mild degreaser and ensure the tool is thoroughly dried afterward.

- **Lubrication:** Periodically apply a small amount of light machine oil to the ratchet head mechanism to ensure smooth operation and prevent corrosion. Avoid over-lubricating, as this can attract dirt.
- **Inspection:** Regularly inspect the ratchet for any signs of wear, damage, or loose components. Pay close attention to the drive square, gear mechanism, and direction lever.
- **Storage:** Store the ratchet handle in a clean, dry environment to prevent rust and damage.

8. TROUBLESHOOTING

- **Stiff Ratchet Mechanism:** If the ratchet mechanism feels stiff or rough, it may require cleaning and lubrication. Refer to the Maintenance section.
- **Socket Not Holding:** Ensure the socket is fully seated and the release button is not stuck. If the mechanism is worn, the tool may need professional servicing or replacement.
- **Direction Lever Stiff:** Clean any debris around the lever and apply a small amount of lubricant.

For issues not resolved by these steps, contact TONE customer support or a qualified tool technician.

9. WARRANTY INFORMATION

TONE products are manufactured to high-quality standards. For specific warranty terms and conditions, please refer to the warranty documentation included with your purchase or visit the official TONE website. Warranty coverage typically addresses manufacturing defects under normal use.

10. SUPPORT

For further assistance, technical support, or inquiries regarding your TONE RH2H ratchet handle, please contact TONE customer service through their official website or the retailer from whom the product was purchased.

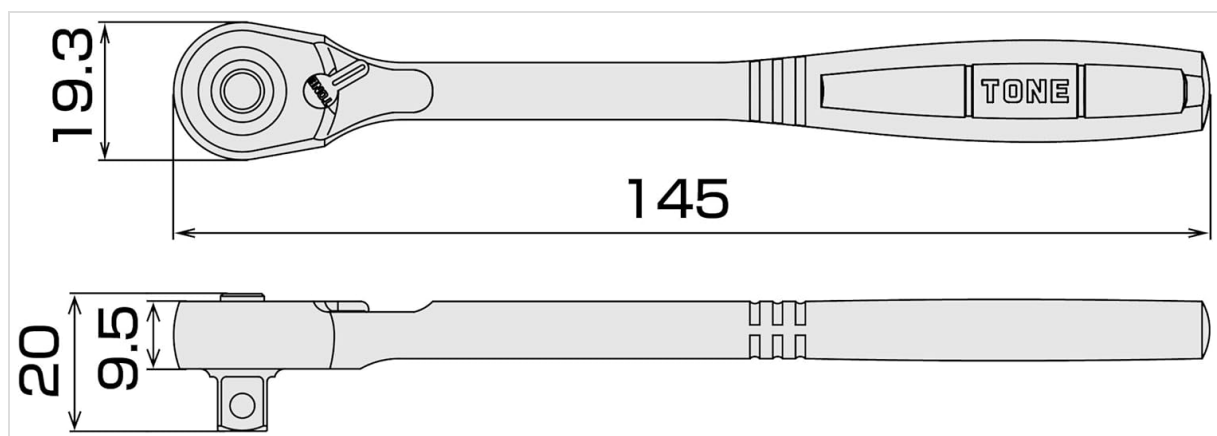


Figure 3: Dimensional Drawing. This illustration provides key measurements of the TONE RH2H ratchet handle, including length, width, and head thickness.