

Gravity GR-EQ9

Gravity 7 Band Graphic Equalizer GR-EQ9

User Manual

1. INTRODUCTION

Thank you for choosing the Gravity 7 Band Graphic Equalizer GR-EQ9. This equalizer is designed to provide precise control over your car audio system, allowing you to fine-tune sound frequencies for an enhanced listening experience. Please read this manual thoroughly before installation and operation to ensure proper use and optimal performance.

2. SAFETY INFORMATION

- Always disconnect the vehicle's battery before beginning any installation.
- Ensure all wiring is properly insulated to prevent short circuits.
- Mount the equalizer securely to avoid movement during vehicle operation.
- Do not operate the unit in wet conditions or expose it to excessive moisture.
- Consult a professional car audio installer if you are unsure about any part of the installation process.

3. PACKAGE CONTENTS

Verify that all items are present in your GR-EQ9 package:

- Gravity 7 Band Graphic Equalizer GR-EQ9 Unit
- Mounting Brackets
- Mounting Screws
- Power/Ground/Remote Wiring Harness
- User Manual



Image: Included mounting brackets, screws, and wiring harness for the GR-EQ9.

4. PRODUCT OVERVIEW

4.1. Front Panel Controls



Image: Top view of the GR-EQ9 front panel with all controls.

- **SUB LEVEL:** Adjusts the output level of the subwoofer.
- **VOLUME:** Master volume control for the entire system.
- **SUB FREQ:** Adjusts the low-pass crossover frequency for the subwoofer output (60Hz to 90Hz).
- **FADER:** Balances the audio output between front and rear speakers.
- **AUX/CD Selector:** Switches between Main (CD) and Auxiliary (AUX) input sources.
- **7-Band Equalizer Knobs:** Individual controls for 50Hz, 125Hz, 315Hz, 750Hz, 2.2KHz, 6KHz, and 16KHz frequencies. Each band can be boosted or cut by -12dB to +12dB.
- **HIGH LEVEL / MAIN LEVEL:** Input level adjustment for high-level or main RCA inputs to prevent distortion.

4.2. Rear Panel Connections



Image: Close-up of the GR-EQ9 rear panel connections.

- **MAIN IN (L/R):** RCA inputs for the primary audio source (e.g., head unit).
- **AUX IN (L/R):** RCA inputs for an auxiliary audio source.
- **FRONT OUT (L/R):** RCA outputs for front speakers.
- **REAR OUT (L/R):** RCA outputs for rear speakers.
- **SUB OUT (L/R):** RCA outputs for subwoofer amplifier. This output features a 10V line driver.
- **Power Terminals (+12V, REM, GND):** Connections for power, remote turn-on, and ground.

5. SETUP

5.1. Installation

The GR-EQ9 is designed for flexible installation in various vehicle locations. Consider a location that allows for easy access to controls and proper ventilation.

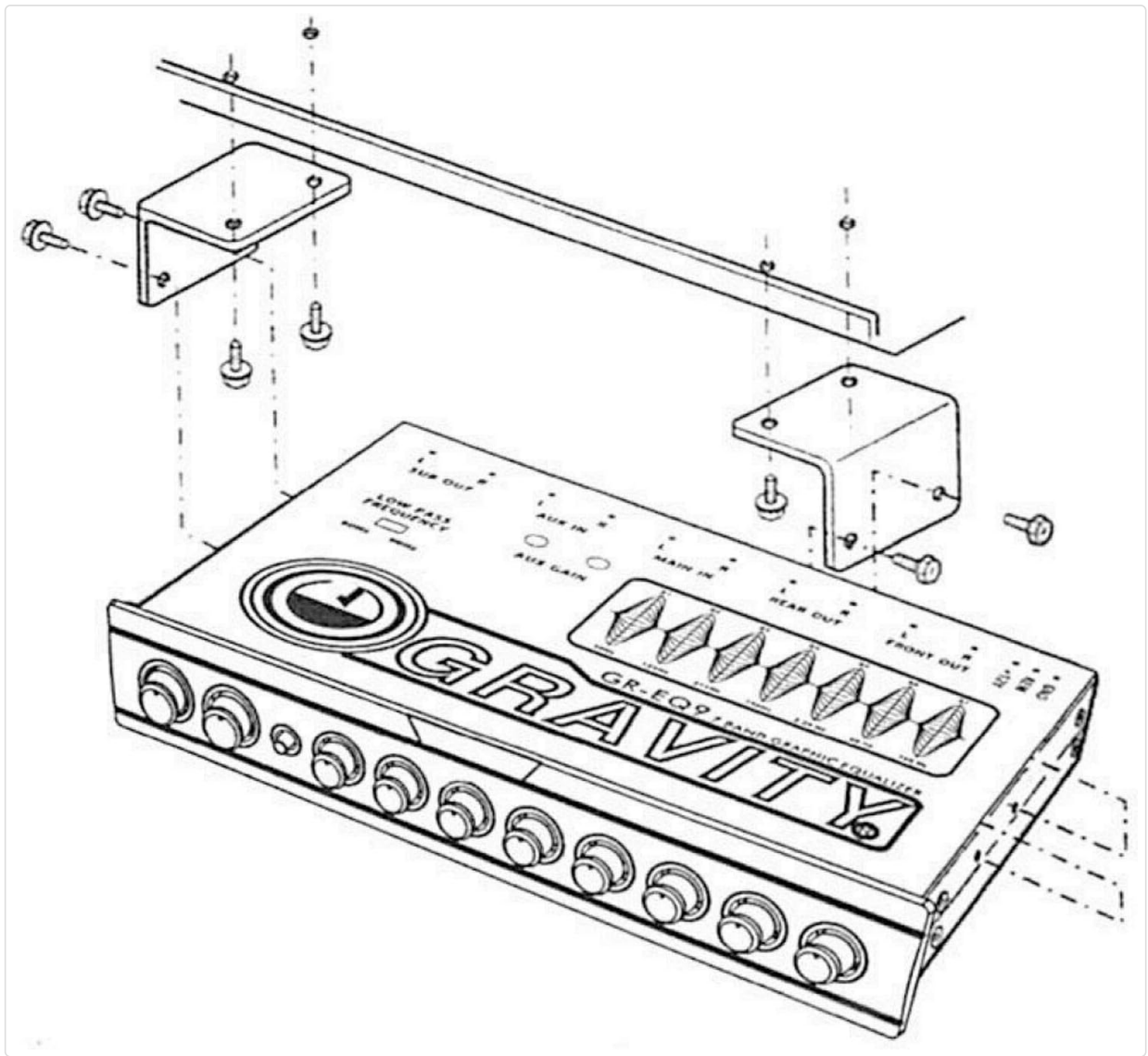


Image: Mounting diagram for the GR-EQ9.

1. Choose a suitable mounting location (e.g., under the dashboard, in the center console).
2. Use the provided mounting brackets as a template to mark screw holes.
3. Drill pilot holes and secure the brackets using the supplied screws.
4. Attach the GR-EQ9 unit to the mounted brackets.

5.2. Wiring

Proper wiring is crucial for optimal performance and safety. Ensure all connections are secure and correctly polarized.

1. **Power Connection (+12V):** Connect the +12V wire from the equalizer to a constant +12V power source from the vehicle's battery. Use an inline fuse (not supplied) for protection. The unit operates between 9V and 16V.
2. **Ground Connection (GND):** Connect the GND wire to a clean, unpainted metal surface on the vehicle chassis.
3. **Remote Turn-On (REM):** Connect the REM wire to the remote output of your head unit. This will turn the equalizer on and off with your car's audio system.
4. **RCA Inputs:** Connect the RCA output from your head unit to the **MAIN IN** (L/R) inputs on the GR-EQ9. If using an auxiliary device, connect its RCA output to the **AUX IN** (L/R) inputs.
5. **RCA Outputs:** Connect the **FRONT OUT** (L/R), **REAR OUT** (L/R), and **SUB OUT** (L/R) from the GR-EQ9 to the corresponding inputs on your amplifiers.

6. OPERATING INSTRUCTIONS

Once installed, the GR-EQ9 allows for precise audio customization.

1. **Power On:** The unit will power on automatically when the remote turn-on signal is received from your head unit.
2. **Input Selection:** Use the **AUX/CD Selector** button to switch between your main audio source (CD) and the auxiliary input (AUX).
3. **Volume Control:** Adjust the **VOLUME** knob to set the overall listening level.
4. **Subwoofer Control:**
 - Use the **SUB LEVEL** knob to control the output volume of your subwoofer.
 - Adjust the **SUB FREQ** knob to set the low-pass crossover point for the subwoofer, typically between 60Hz and 90Hz, to blend with your main speakers.
5. **Equalizer Adjustments:** Use the seven individual frequency knobs (50Hz, 125Hz, 315Hz, 750Hz, 2.2KHz, 6KHz, 16KHz) to boost or cut specific frequency ranges. Adjust these to tailor the sound to your preference and vehicle acoustics. Each band offers a range of -12dB to +12dB.
6. **Fader Control:** The **FADER** knob allows you to adjust the balance of sound between your front and rear speakers.
7. **Input Level Adjustment:** Use the **HIGH LEVEL / MAIN LEVEL** switch and corresponding knobs to match the input signal level from your head unit, preventing distortion.

7. MAINTENANCE

- Keep the unit clean by wiping it with a soft, dry cloth.
- Avoid using harsh chemicals or abrasive cleaners.
- Ensure all connections remain secure and free from corrosion.

8. TROUBLESHOOTING

Problem	Possible Cause	Solution
No power	Blown fuse; incorrect wiring; no remote signal.	Check and replace fuse; verify +12V, GND, and REM connections.
No sound	Incorrect RCA connections; amplifier not powered; input source issue.	Verify all RCA cables are connected correctly; ensure amplifiers are on; check head unit output.
Distorted sound	Input level too high; equalizer settings too extreme; poor grounding.	Adjust input level using HIGH LEVEL/MAIN LEVEL controls; reduce EQ boost; check ground connection.
Noise/Hiss	Poor grounding; RCA cables too close to power wires; gain settings too high.	Ensure proper grounding; reroute RCA cables away from power wires; adjust amplifier gain settings.

9. SPECIFICATIONS

- **Model:** GR-EQ9
- **Product Dimensions:** 1.8 x 9 x 7.7 inches

GRAVITY

SMART WATCH
GT8

Instrukcja Obsługi
Przed pierwszym uruchomieniem
zapoznaj się z instrukcją

[Gravity GT8 Smart Watch User Manual | Features, Setup & Guide](#)

Comprehensive user manual for the Gravity GT8 Smart Watch. Learn about its features, GPS, health tracking, connectivity, setup, and operation. Get the most out of your GT8 smartwatch.



[Gravity Premium Stands Catalogue - Microphone, Speaker, Lighting & More](#)

Discover the Gravity range of premium stands and accessories for audio, lighting, and musical instruments. This catalogue features microphone stands, speaker stands, lighting stands, keyboard stands, guitar stands, and multimedia equipment, all designed and engineered in Germany by the Adam Hall Group.



PCB Information Top_Location 2025-05-29
DRI0056-V1.0.0-1.6mm-2 Layer-22x30mm
Top SolderMask:Black Bottom SolderMask:Black
Top Silkscreen:White Bottom Silkscreen:White

[DRI0056 Linear Motor Driver PCB Layout Information](#)

Detailed PCB layout diagram and specifications for the DRI0056 Linear Motor Driver by Gravity. Includes dimensions, layer count, solder mask, silkscreen colors, and component placement overview. Features I2C interface and gravity sensor.