



[Manuals.plus](#) /

> [Kwikset](#) /

> Kwikset Corporation 8325-26D Cylinder for Titan Deadlock User Manual

## Kwikset 8325-26D

# Kwikset Corporation 8325-26D Cylinder for Titan Deadlock User Manual

Model: 8325-26D

## INTRODUCTION

This manual provides essential information for the installation, operation, and maintenance of your Kwikset 8325-26D Cylinder, designed as a replacement component for Titan Deadlocks. This product is intended for use by individuals familiar with basic lock hardware installation and re-keying procedures. Please read all instructions carefully before proceeding.

## SAFETY INFORMATION

- Always wear appropriate personal protective equipment, such as safety glasses, when handling tools or performing installation.
- Keep small components, such as keys and re-keying tools, out of reach of children to prevent choking hazards.
- Ensure the work area is well-lit and clear of obstructions.
- If you are unsure about any step of the installation process, consult a qualified locksmith or hardware professional.

## PACKAGE CONTENTS

Verify that all components are present before beginning installation:

- Kwikset 8325-26D Cylinder (Satin Chrome finish)
- Two (2) Keys
- One (1) Re-keying Tool



Figure 1: Kwikset 8325-26D Cylinder with included keys and re-keying tool. Note that the cylinder is designed to replace existing Titan deadlock cylinders.

## INSTALLATION AND SETUP

The Kwikset 8325-26D cylinder is designed as a direct replacement for Kwikset Titan deadlock cylinders. This product includes the cylinder plug only; pins and additional keys are not included beyond the two provided. Cylinder covers are not included and must be used from your existing deadlock to match the desired finish.

1. **Preparation:** Ensure the existing Titan deadlock is in the unlocked position. Remove the existing cylinder from the deadlock assembly according to the deadlock's specific instructions.
2. **Cylinder Insertion:** Carefully insert the new Kwikset 8325-26D cylinder into the deadlock housing. Ensure it seats properly.
3. **Secure Cylinder:** Reassemble the deadlock components, ensuring the cylinder is securely fastened within the mechanism. Refer to your specific Titan deadlock's manual for detailed reassembly steps.
4. **Functionality Test:** Insert one of the provided keys into the cylinder and turn it to ensure smooth operation of the deadbolt mechanism. Test both locking and unlocking functions.
5. **Re-keying (Optional):** If you wish to re-key the cylinder to an existing Kwikset key, use the included re-keying tool

and follow standard Kwikset SmartKey re-keying procedures. *Note: This cylinder is compatible with Kwikset SmartKey re-keying technology.*

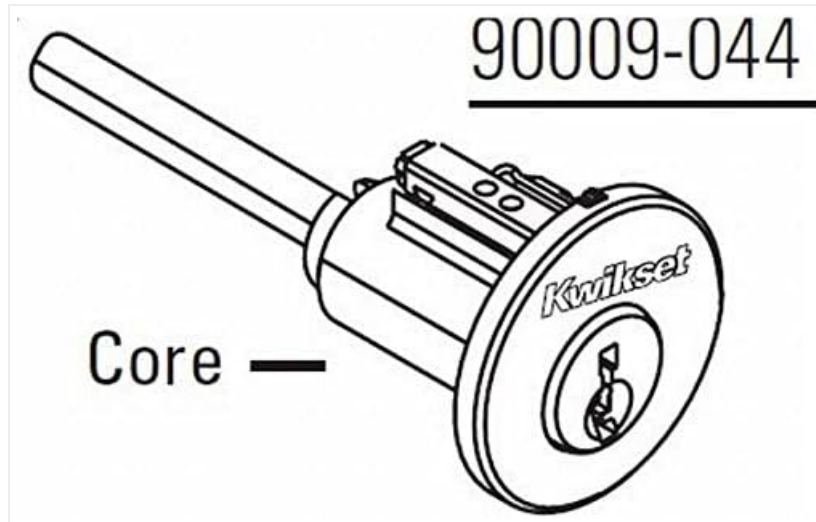


Figure 2: Schematic diagram illustrating the Kwikset cylinder core. This diagram aids in understanding the component's structure during installation.

## OPERATING INSTRUCTIONS

To operate the Kwikset 8325-26D cylinder, simply insert one of the provided keys into the keyway and turn it clockwise to lock the deadbolt or counter-clockwise to unlock it. Ensure the key is fully inserted before turning to prevent damage to the key or cylinder.

## MAINTENANCE

- **Cleaning:** Wipe the exterior of the cylinder with a soft, damp cloth. Avoid abrasive cleaners or solvents that could damage the finish.
- **Lubrication:** If the key turns stiffly, apply a small amount of graphite-based lubricant specifically designed for locks into the keyway. Do not use oil-based lubricants as they can attract dirt and cause clogging.
- **Inspection:** Periodically inspect the cylinder and deadlock for any signs of wear or damage. Address any issues promptly to maintain security.

## TROUBLESHOOTING

Problem	Possible Cause	Solution
Key does not insert fully.	Obstruction in keyway or incorrect key.	Check for debris in the keyway. Ensure you are using the correct Kwikset key.
Key turns but does not operate deadbolt.	Cylinder not properly seated or internal mechanism issue.	Re-check installation steps to ensure the cylinder is correctly installed. If issue persists, consult a locksmith.
Key is stiff or difficult to turn.	Lack of lubrication or minor misalignment.	Apply graphite lubricant to the keyway. Ensure the deadbolt is not binding in the door frame.

## SPECIFICATIONS

<b>Model Number:</b>	8325-26D
<b>Brand:</b>	Kwikset
<b>Manufacturer:</b>	Kwikset Corporation
<b>Product Dimensions:</b>	3.56 x 3.56 x 0.03 cm (1.4 x 1.4 x 0.01 inches)
<b>Item Weight:</b>	453.59 g (1 Pound)
<b>Color / Finish:</b>	Satin Chrome
<b>Included Components:</b>	Cylinder, 2 Keys, Re-keying Tool
<b>UPC:</b>	883351225106, 042049916041

## WARRANTY AND SUPPORT

For information regarding warranty coverage or technical support for your Kwikset 8325-26D Cylinder, please refer to the official Kwikset website or contact Kwikset customer service directly. Contact details are typically available on the manufacturer's packaging or their official website.

**Kwikset Official Website:** [www.kwikset.com](http://www.kwikset.com)

