

[Manuals.plus](#) /

› [Master Lock](#) /

› MASTER LOCK Keyed Padlock Model 4140-2341 Instruction Manual

Master Lock 4140-2341

MASTER LOCK Keyed Padlock Model 4140-2341 Instruction Manual

Your guide to the setup, operation, and maintenance of your Master Lock padlock.

PRODUCT OVERVIEW

The Master Lock Keyed Padlock, Model 4140-2341, is designed for indoor and outdoor security applications. It features a durable brass body and a hardened steel shackle, providing resistance against cutting and the elements. The 4-pin tumbler cylinder offers pick resistance, enhancing security for your belongings.

This padlock is ideal for securing cabinets, lockers, gates, fences, and other items requiring reliable protection.

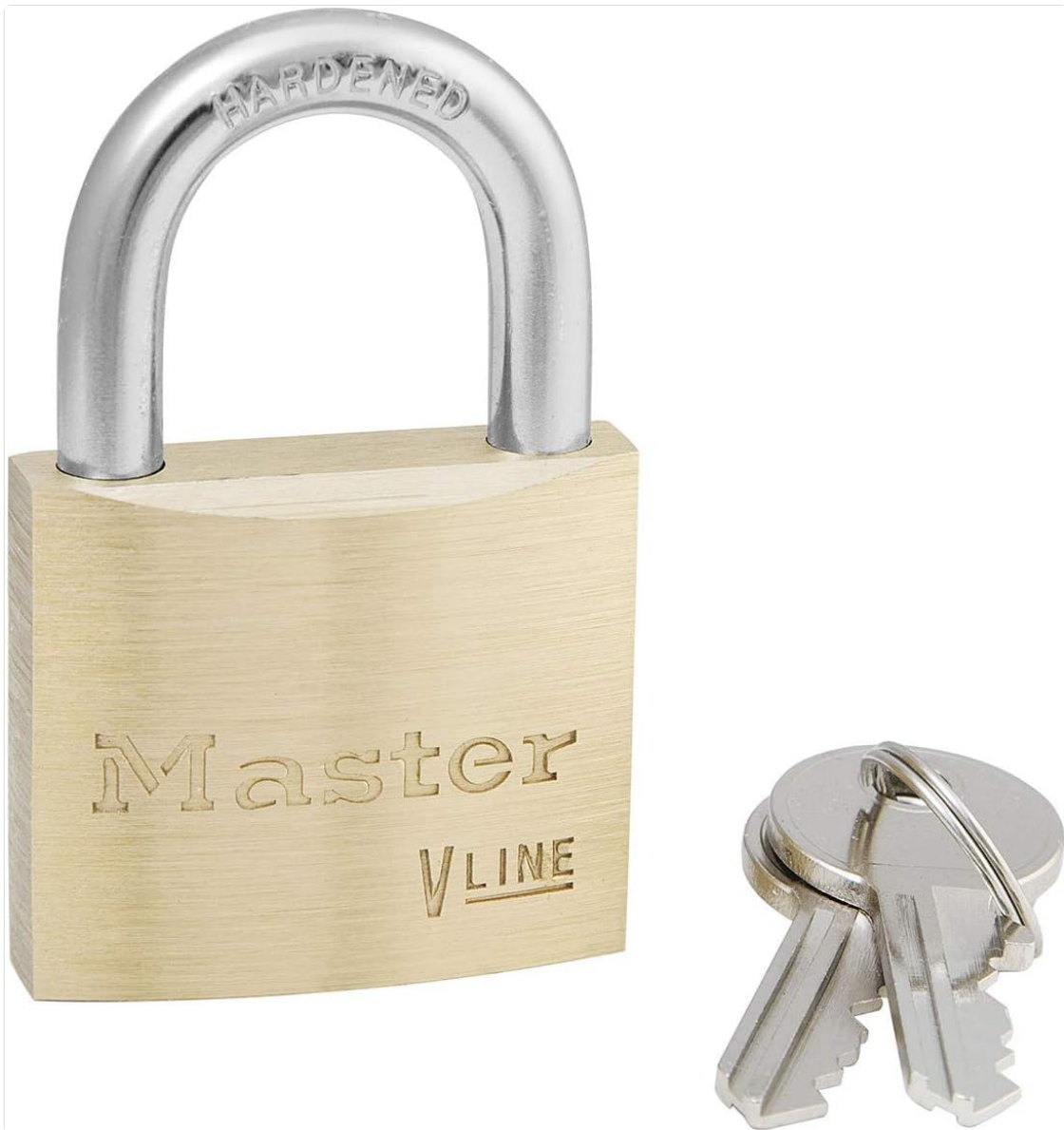


Figure 1: Front view of the Master Lock Keyed Padlock, Model 4140-2341, showcasing its brass body and steel shackle.

SETUP

Your Master Lock padlock comes ready for immediate use. No assembly is required.

1. **Inspect the Padlock:** Before first use, visually inspect the padlock and keys for any signs of damage or manufacturing defects.
2. **Key Identification:** Each padlock is supplied with two keys. These keys are unique to your padlock (unless purchased as a keyed-alike set). Keep one key in a safe, accessible location and the other as a spare.
3. **Initial Test:** Insert a key into the keyway and turn it to ensure the shackle opens and closes smoothly.

OPERATING INSTRUCTIONS

Operating your Master Lock keyed padlock is straightforward:

1. **To Unlock:**

- Insert the key fully into the keyway at the bottom of the padlock.
- Turn the key clockwise (typically a quarter turn) until the shackle springs open.
- Remove the key. The shackle will remain open.

2. To Lock:

- Close the shackle by pushing it down firmly into the padlock body until it clicks into place.
- Ensure the shackle is fully seated and cannot be pulled open without the key.
- The padlock is now locked. The key is not required to lock the padlock.



Figure 2: Example applications for the Master Lock padlock, including securing cabinets, sheds, and gates.

MAINTENANCE

Proper maintenance will ensure the longevity and smooth operation of your Master Lock padlock:

- **Lubrication:** Periodically (e.g., every 6-12 months, or more frequently in harsh environments), apply a small amount of graphite lubricant or a silicone-based lubricant into the keyway and around the shackle mechanism. Avoid oil-based lubricants as they can attract dirt.
- **Cleaning:** Wipe the padlock body with a clean, dry cloth to remove dirt and grime. For brass components, a mild brass cleaner can be used sparingly, followed by a thorough wipe.
- **Key Care:** Do not force the key if it feels stiff. Ensure the key is fully inserted and aligned before turning. Avoid using bent or damaged keys.

- **Storage:** When not in use, store the padlock in a dry environment to prevent moisture buildup, especially if used outdoors.

TROUBLESHOOTING

Problem	Possible Cause	Solution
Key is stiff or difficult to turn.	Dirt or corrosion in the keyway; lack of lubrication; bent key.	Apply graphite or silicone lubricant into the keyway. Ensure the key is straight and undamaged. Do not force the key.
Shackle does not open when unlocked.	Mechanism stuck due to dirt or corrosion; shackle bent.	Apply lubricant to the shackle entry points and keyway. Gently tap the padlock body. If shackle is bent, the padlock may need replacement.
Shackle does not close or lock properly.	Obstruction in the shackle holes; mechanism issue.	Check for debris in the shackle holes. Apply lubricant. Ensure the shackle is aligned correctly when pushing down.

SPECIFICATIONS

Detailed specifications for the Master Lock Keyed Padlock, Model 4140-2341:

- **Model Number:** 4140-2341
- **Body Material:** Solid Brass
- **Shackle Material:** Hardened Steel
- **Lock Type:** Key Lock
- **Key Type:** Keyed Alike (if specified, otherwise unique)
- **Number of Pins:** 4-pin tumbler cylinder
- **Recommended Use:** Indoor/Outdoor
- **Included Components:** 1 Padlock, 2 Keys

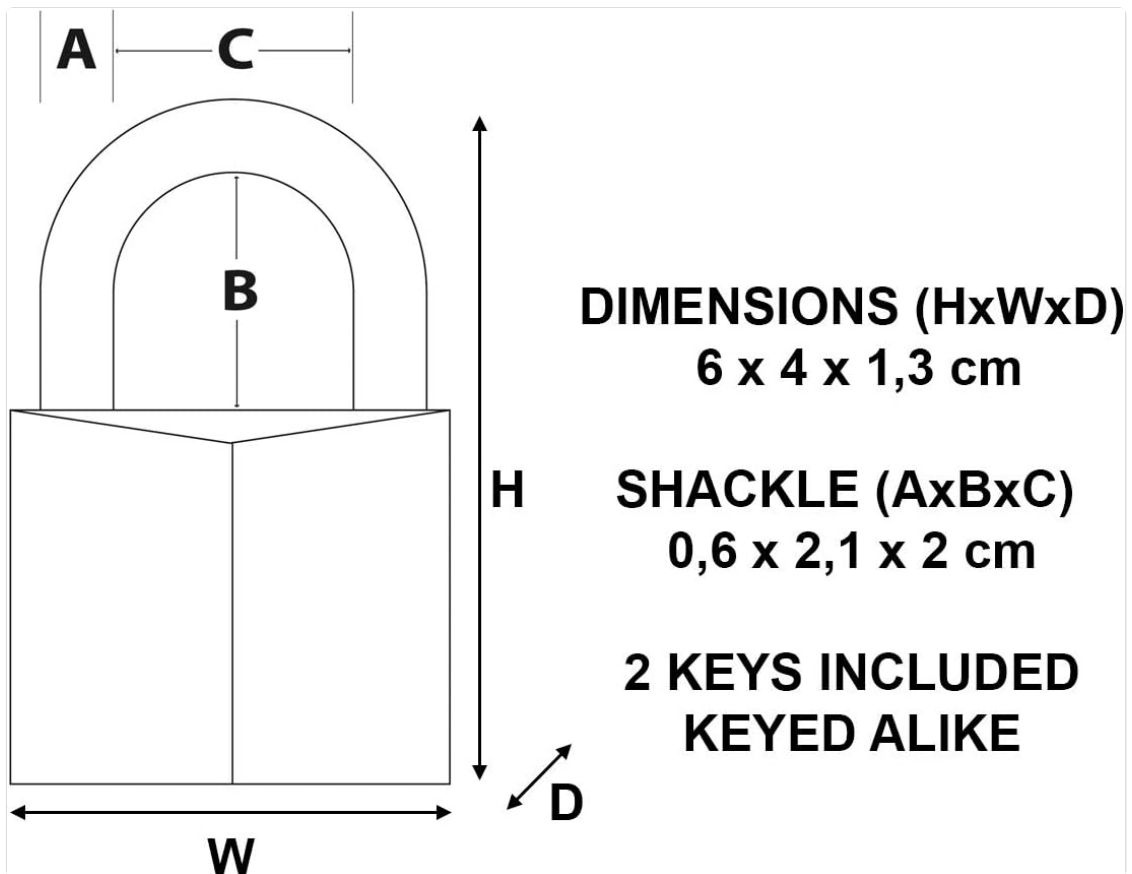


Figure 3: Dimensional diagram of the Master Lock padlock. Overall dimensions (HxWxD) are approximately 6 x 4 x 1.3 cm. Shackle dimensions (AxBxC) are approximately 0.6 x 2.1 x 2 cm.

Dimension	Measurement
Padlock Body Height	2 7/64 in (approx. 5.3 cm)
Padlock Body Width	1 1/2 in (approx. 3.8 cm)
Padlock Body Thickness	1/2 in (approx. 1.3 cm)
Shackle Diameter	1/4 in (approx. 0.6 cm)
Shackle Height (vertical clearance)	13/16 in (approx. 2.1 cm)
Shackle Width (horizontal clearance)	13/16 in (approx. 2.1 cm)
Item Weight	0.12 Kilograms (approx. 4.2 oz)

WARRANTY AND SUPPORT

This Master Lock padlock is backed by a **Limited Lifetime Warranty**. This warranty covers defects in material and workmanship for the life of the product under normal use.

For warranty claims, technical support, or further assistance, please contact Master Lock customer service. Refer to the official Master Lock website for the most current contact information.



Figure 4: Master Lock padlock highlighting the hardened shackle and Limited Lifetime Warranty.

Online Resources: For additional product information, FAQs, and support, visit the official Master Lock website: www.masterlock.com