

Manuals.plus /

› COMUNELLO /

› COMUNELLO Fast 50 Spindle Actuator 230V, 300mm Stroke - Instruction Manual

COMUNELLO MFAST300H0B00

COMUNELLO Fast 50 Spindle Actuator 230V, 300mm Stroke

Instruction Manual

1. INTRODUCTION

This instruction manual provides essential information for the safe and efficient installation, operation, and maintenance of the COMUNELLO Fast 50 Spindle Actuator. Please read this manual thoroughly before proceeding with installation or use. Retain this manual for future reference.

The COMUNELLO Fast 50 Spindle Actuator is designed for natural ventilation applications on various window types, including wooden, plastic, and metal frames. It is particularly suitable for roof windows, folding windows, and shed windows, providing automated opening and closing functionality.



Figure 1: COMUNELLO Fast 50 Spindle Actuator, main view.

2. SAFETY INFORMATION

Always observe the following safety precautions:

- Ensure the power supply is disconnected before installation or maintenance.
- Installation must be performed by qualified personnel in accordance with local electrical and building

codes.

- Do not operate the actuator if any part is damaged.
- Keep hands and loose clothing clear of moving parts during operation.
- This device is not intended for use by persons with reduced physical, sensory, or mental capabilities unless supervised or instructed.

3. PACKAGE CONTENTS

Verify that all components are present:

- 1 x COMUNELLO Fast 50 Spindle Actuator (300 mm Stroke, 230 V, Grey)
- Mounting brackets and hardware (as supplied by manufacturer)
- Instruction Manual

4. SETUP AND INSTALLATION

The COMUNELLO Fast 50 Spindle Actuator is designed for easy installation. Follow these general steps:

1. **Preparation:** Ensure the window frame is clean, dry, and structurally sound. Identify the optimal mounting position for the actuator to ensure smooth operation and full stroke utilization.
2. **Mounting the Actuator:** Secure the actuator body to the fixed part of the window frame using the provided mounting brackets and screws. Ensure it is level and firmly attached.
3. **Connecting to the Window:** Attach the spindle end to the movable part of the window. Ensure proper alignment to prevent binding or excessive strain on the actuator or window mechanism.
4. **Electrical Connection:** Connect the actuator to a 230V, 50Hz power supply. Wiring should be performed by a qualified electrician. The actuator features an integrated limit switch for automatic stopping at fully open and fully closed positions.
5. **Adjusting Stroke Length:** The actuator offers adjustable stroke length via a Dip switch. Refer to the specific wiring diagram and Dip switch settings provided with your unit for detailed adjustment instructions.



Figure 2: Example installation of the actuator on a roof window.



Figure 3: Close-up view of the actuator extending to open a window.



Figure 4: Multiple roof windows equipped with COMUNELLO actuators for automated ventilation.

5. OPERATING INSTRUCTIONS

The COMUNELLO Fast 50 Spindle Actuator operates by extending or retracting its spindle to open or close the connected window. Operation is typically controlled via an external switch or a building management system (not included).

- **Opening:** Activate the control switch to extend the spindle. The actuator will automatically stop when the preset maximum stroke length is reached (fully open).
- **Closing:** Activate the control switch to retract the spindle. The actuator will automatically stop when the window is fully closed.
- **Intermediate Positions:** The actuator can be stopped at any intermediate position by deactivating the control switch during extension or retraction.

With a push/pull force of 500 N and a speed of 20 mm/s, the actuator provides reliable and efficient ventilation.

6. MAINTENANCE

The COMUNELLO Fast 50 Spindle Actuator is designed for minimal maintenance. Regular checks can help ensure long-term performance:

- **Visual Inspection:** Periodically inspect the actuator, mounting brackets, and electrical connections for any signs of wear, damage, or corrosion.
- **Cleaning:** Keep the actuator body and spindle free from dust and debris. Use a soft, dry cloth for cleaning. Do not use abrasive cleaners or solvents.

- **Lubrication:** The internal mechanisms are factory-lubricated and generally do not require additional lubrication. If unusual noises or stiffness occur, consult a qualified technician.
- **Functionality Test:** Periodically test the actuator's full opening and closing cycle to ensure smooth operation and proper engagement of the limit switches.

Any repairs or internal adjustments should only be performed by authorized service personnel.

7. TROUBLESHOOTING

If you encounter issues with your COMUNELLO Fast 50 Spindle Actuator, consider the following common troubleshooting steps:

- **Actuator Not Responding:**
 - Check the power supply. Ensure the actuator is receiving 230V power.
 - Verify all electrical connections are secure and correctly wired.
 - Test the control switch for proper functionality.
- **Actuator Stops Prematurely or Does Not Reach Full Stroke:**
 - Inspect the window mechanism for obstructions or excessive friction.
 - Check the Dip switch settings for stroke length adjustment. Ensure it is set correctly for your application.
 - Verify that the mounting is aligned correctly and not causing binding.
- **Unusual Noises During Operation:**
 - Inspect for loose mounting hardware.
 - Check for any foreign objects obstructing the spindle or window path.
 - If the noise persists, contact technical support.

If these steps do not resolve the issue, contact COMUNELLO technical support for further assistance.

8. SPECIFICATIONS

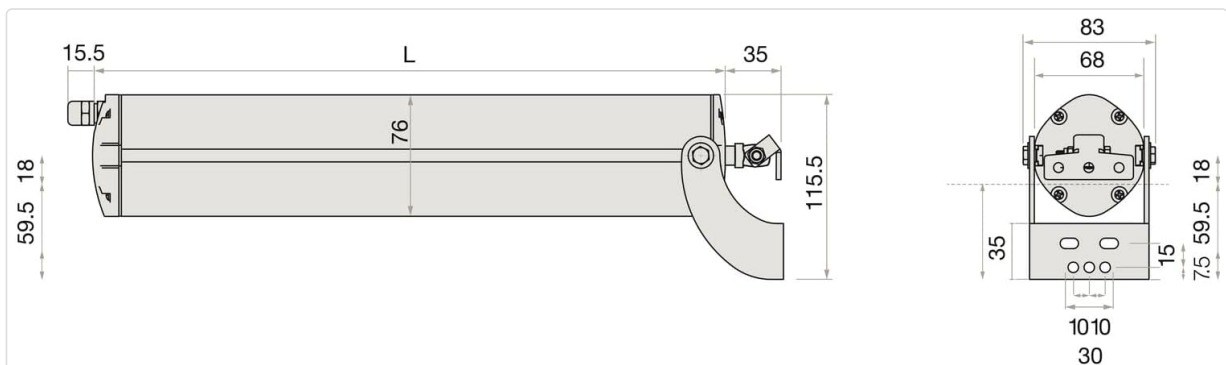


Figure 5: Technical drawing illustrating the dimensions of the COMUNELLO Fast 50 Spindle Actuator.

Feature	Specification
Brand	COMUNELLO
Model Number	MFAST300H0B00
Product Dimensions (L x W x H)	399.5 x 76 x 68 mm (Actuator body)
Weight	2.22 kg
Color	Anodized Silver
Material	Aluminum
Voltage	230 Volts
Frequency	50 Hz
Current Consumption	0.7 A
Power	160 W (Feature bullet) / 170 W (Specification table)
Stroke Length	300 mm (Adjustable via Dip switch)
Push/Pull Force	500 N
Speed	20 mm/s
Usage	Roof, casement, and shed windows, skylights, sun protection louvers
Included Components	COMUNELLO Fast 50 Spindle Actuator - Stroke: 300 mm - 230 V - Grey RAL 7035
Batteries Required	No

9. WARRANTY INFORMATION

Specific warranty details for the COMUNELLO Fast 50 Spindle Actuator are not provided in this document. For information regarding product warranty, please refer to the documentation included with your purchase or contact COMUNELLO directly through their official website or customer service channels.

10. SUPPORT AND CONTACT

For technical assistance, spare parts, or further inquiries regarding your COMUNELLO Fast 50 Spindle Actuator, please contact COMUNELLO customer support.

- **Manufacturer:** COMUNELLO
- **Website:** www.comunello.com (Please verify the official website for the most current contact information.)
- **Customer Service:** Refer to the manufacturer's website for regional contact details, phone numbers, and email addresses.

